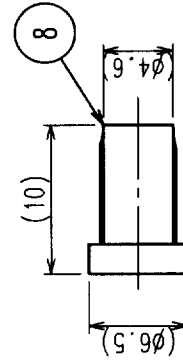
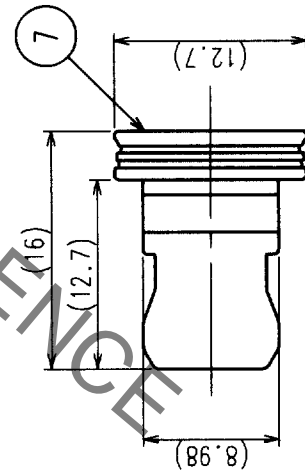
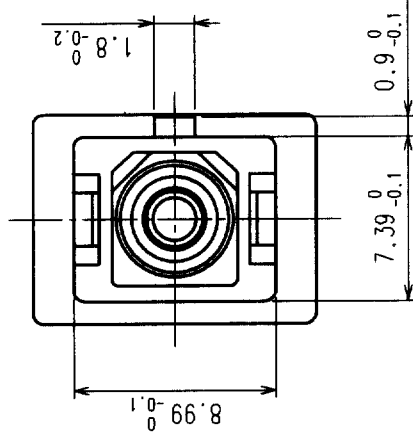
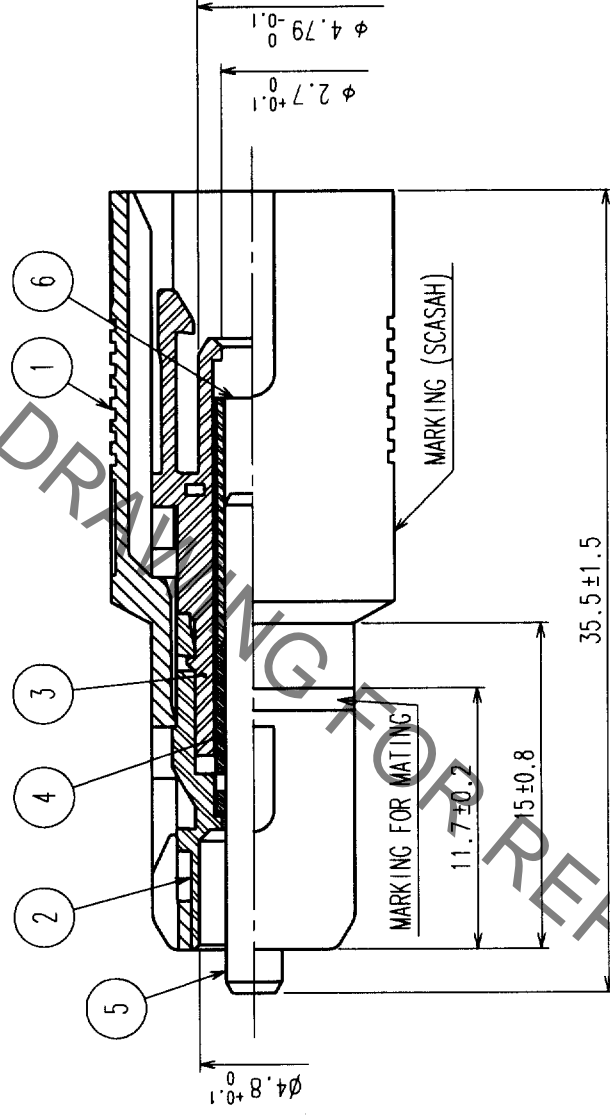
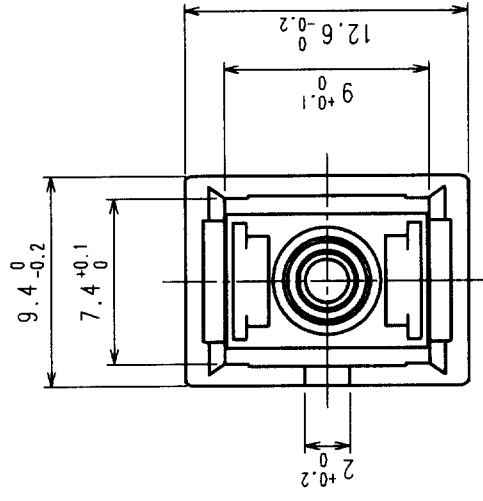
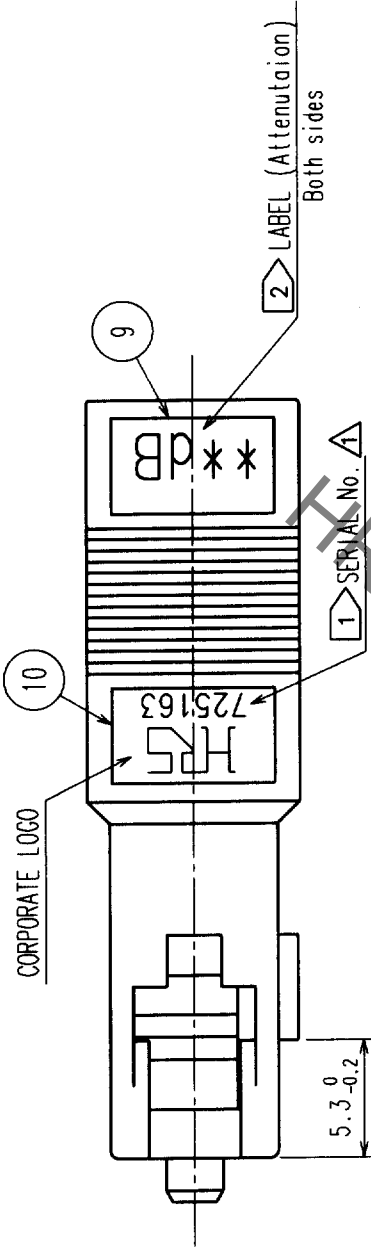


TABLE 1

** ATT.	PART NO.	HRS NO.
00	HSC-AT11K-A00	CL820-6001-6
01	HSC-AT11K-A01	CL820-6002-9
02	HSC-AT11K-A02	CL820-6003-1
03	HSC-AT11K-A03	CL820-6004-4
04	HSC-AT11K-A04	CL820-6005-7
05	HSC-AT11K-A05	CL820-6006-0
06	HSC-AT11K-A06	CL820-6007-2
10	HSC-AT11K-A10	CL820-6008-5
15	HSC-AT11K-A15	CL820-6009-8
20	HSC-AT11K-A20	CL820-6010-7
25	HSC-AT11K-A25	CL820-6011-0
30	HSC-AT11K-A30	CL820-6012-2



NO.	MATERIAL	FINISH, REMARKS	NO.	MATERIAL	FINISH, REMARKS
5	Zirconia		10	Polyester	
4	Stainless Steel		9	Polyester	
3	Synthetic Resin		8	Polyester Elastomer	Black
2	Synthetic Resin		7	Synthetic Resin	Black
1	Zink Dicast	Nickel Plated	6	Zirconia	

CODE NO. (OLD)	DRAWN	DESIGNED	CHECKED	APPROVED	RELEASED
	T. YOSHIDA	T. YOSHIDA	Y. MIYAKE	Y. MIYAKE	
	01.10.9	01.10.9	01.10.9	01.10.9	

DRAWING NO.	PART NO.
EDC3-140867	HSC-AT11K-A**
SCALE 3:1	CODE NO. CL820
UNITS mm	

NOTE 1 AN EXAMPLE OF SERIAL NO.  
 2 THE SIGN \*\* CORRESPONDS TO THE ATTENUATION.  
 3 PART NO. CORRESPONDING TO THE ATTENUATION ARE WRITTEN IN TABLE 1.

TO