

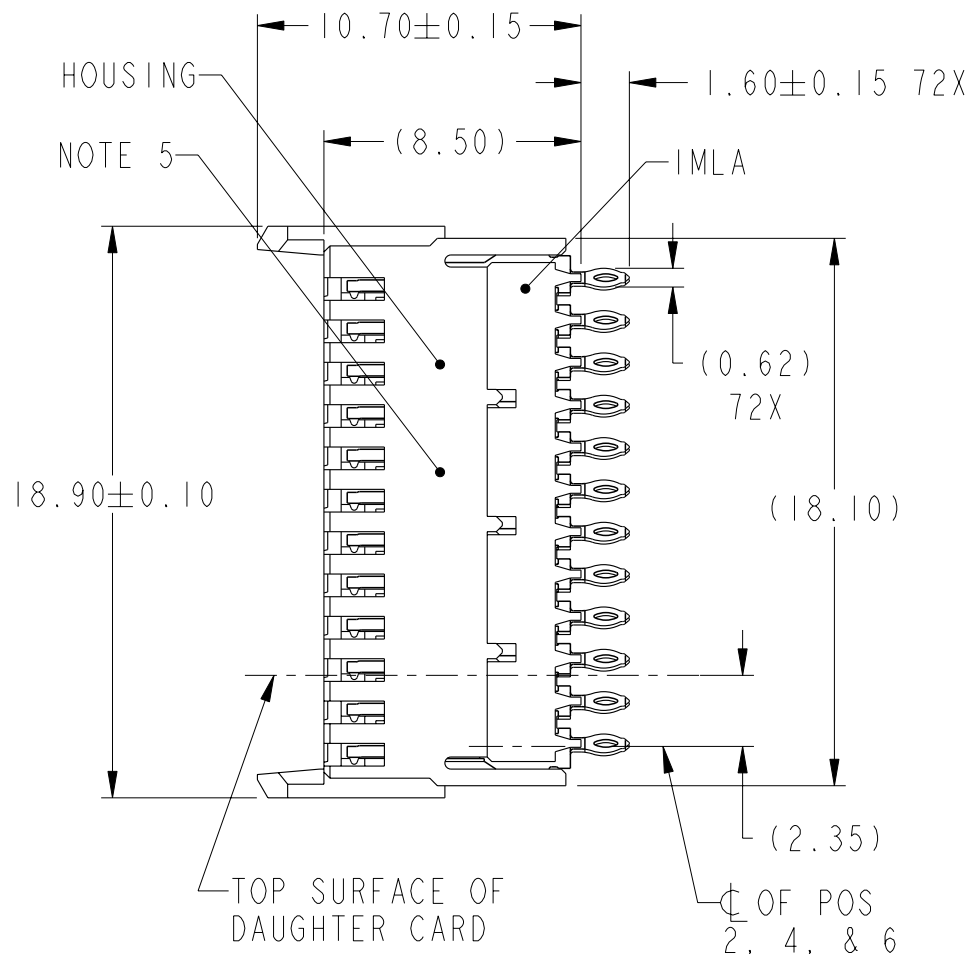
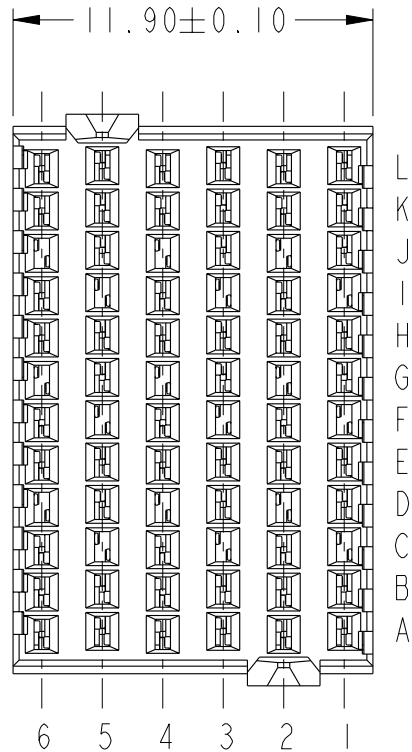
PRODUCT NUMBER
SEE TABLE, SHT 4

A

B

C

D



A

B

C

D



Copyright FCI.

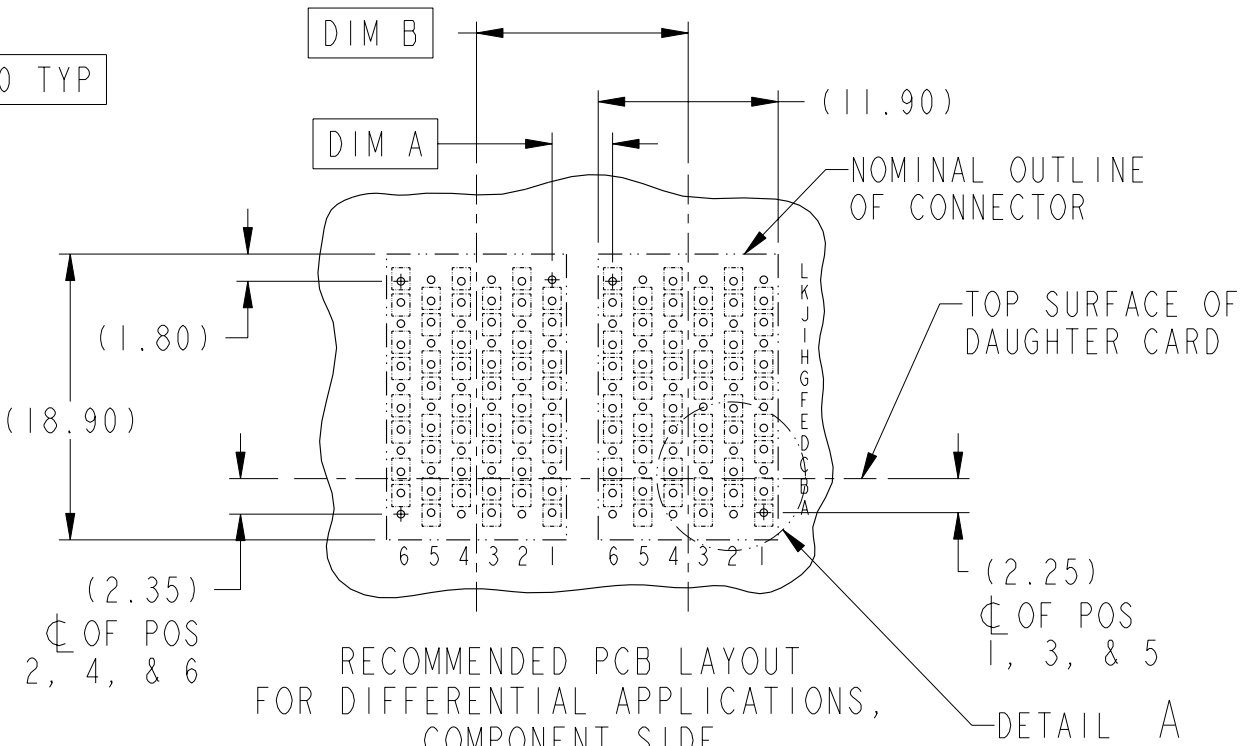
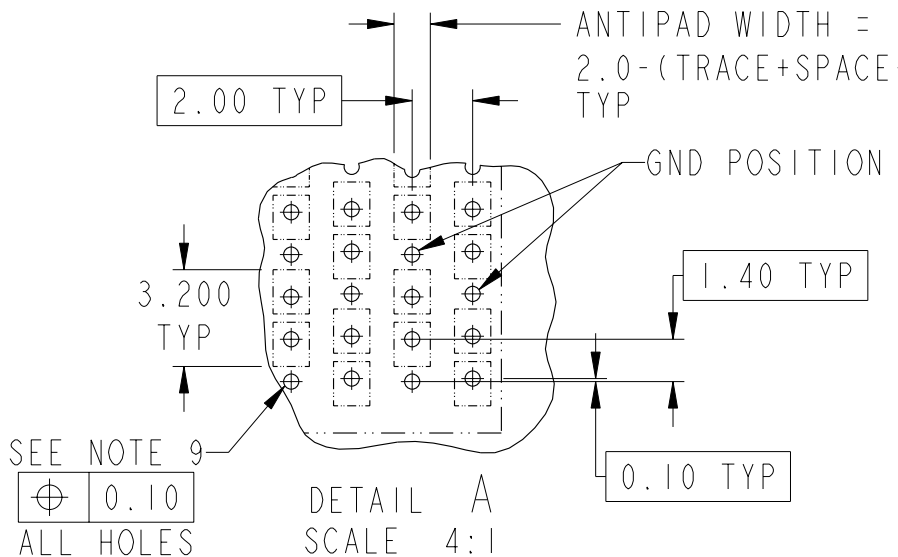
rev	ecn no	dr	date
A	S08-0192	CH	2008-06-20
-	-	-	-
-	-	-	-
-	-	-	-
-	-	-	-
-	-	-	-

www.fciconnect.com		surface - ASME Y14.5	tolerance std ASME Y14.5	projection MM
		TOLERANCES UNLESS OTHERWISE SPECIFIED		
Dr	C. H. TAN	2008-06-20	ANGULAR	size A4
Eng	C. H. TAN	2008-06-20	LINEAR	Scale 4:1
Chr	C. H. TAN	2008-06-20	0° ±°	ECN ***
Appr	JOEY NG	2008-06-20	Product family AirMax VS	Spec ref
FCI		AirMax VS VERT RECPT ASSY		Rev. A
		PRESS-FIT, 72 POSITION, 12mm		
catalog no		CUSTOMER		sheet 1 of 4

REV F - 2006-04-17



Copyright FCI.



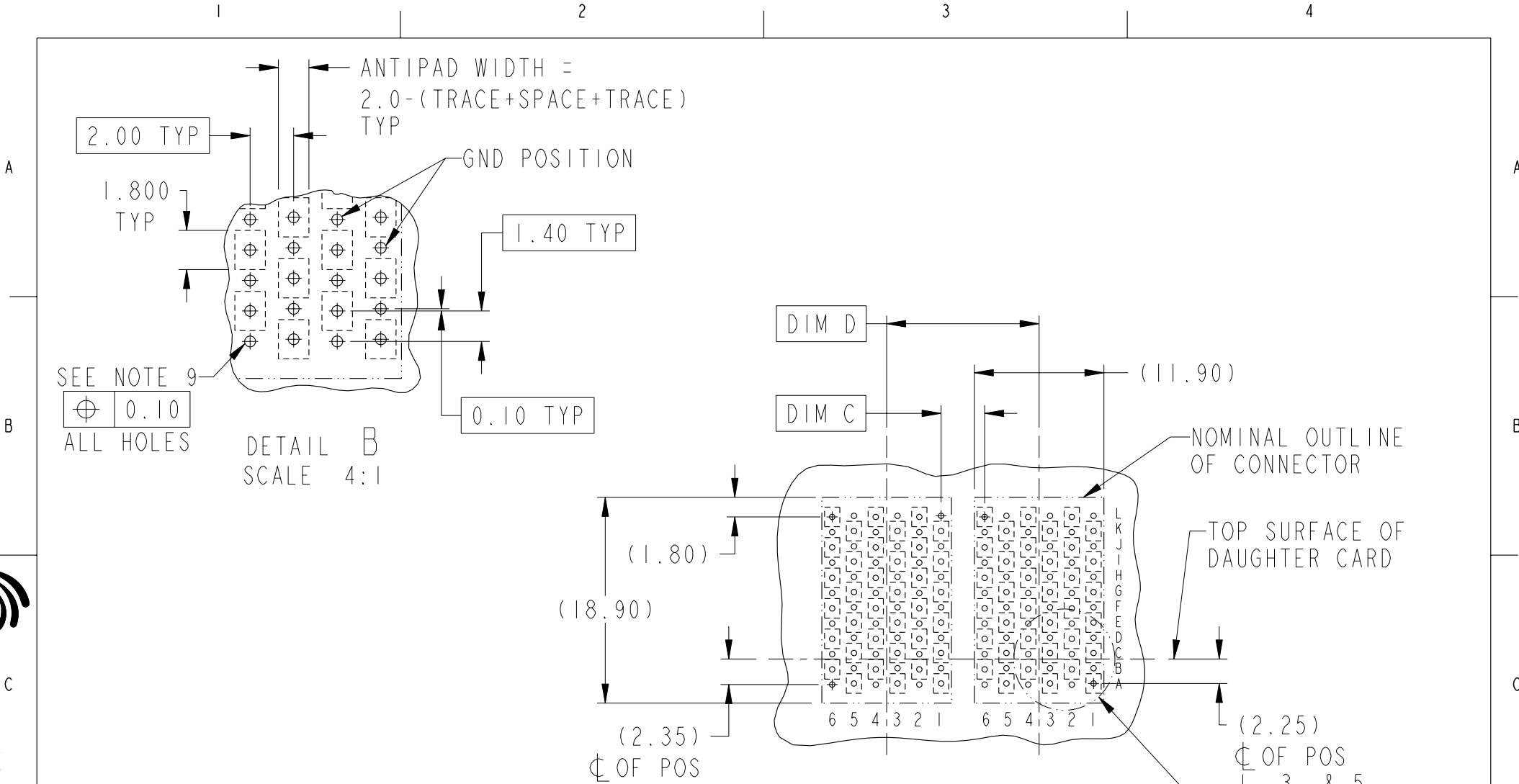
ADJACENT HEADER WIDTHS	DIM A	DIM B
12MM/12MM	2.00	12.00
12MM/14MM	3.00	13.00
14MM/14MM	4.00	14.00

	TITLE AirMax VS VERT RECPT ASSY PRESS-FIT, 72 POSITION, 12mm	dwg no 10084587	Rev. A
	catalog no -	CUSTOMER	sheet 2 of 4

REV F - 2006-04-17



Copyright FCI.



RECOMMENDED PCB LAYOUT
FOR SINGLE ENDED APPLICATIONS,
COMPONENT SIDE
(TWO ADJACENT FOOTPRINTS SHOWN)
NOTES 6 & 7

ADJACENT HEADER WIDTHS	DIM C	DIM D
12MM/12MM	2.00	12.00
12MM/14MM	3.00	13.00
14MM/14MM	4.00	14.00

	title AirMax VS VERT RECPT ASSY PRESS-FIT, 72 POSITION, 12mm	dwg no 10084587	Rev. A
	catalog no -	CUSTOMER	sheet 3 of 4

REV F - 2006-04-17

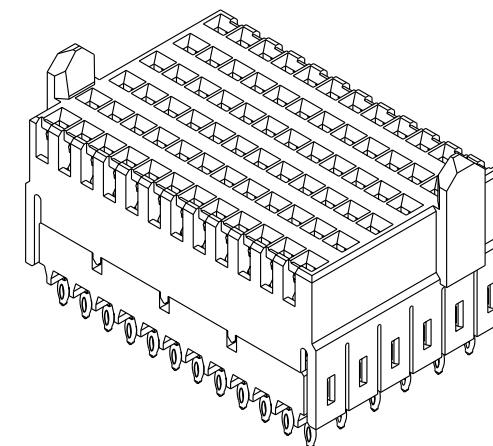
1

2

3

4

PRODUCT NUMBER	PRESS-FIT TAIL PLATING TYPE
10084587-101LF	TIN OVER NICKEL (LEAD FREE)



NOTES:

1. CONNECTOR MATERIALS:
HOUSING: HIGH TEMP THERMOPLASTIC, NATURAL, UL94V-0
IMLA PLASTIC: HIGH TEMP THERMOPLASTIC, BLACK, UL94V-0
CONTACT: COPPER ALLOY
2. CONTACT PLATING:
SEPARABLE INTERFACE:
PERFORMANCE-BASED PLATING, QUALIFIED TO MEET THE REQUIREMENTS
OF FCI PRODUCT SPECIFICATION GS-12-239, INCLUDING TELCORDIA
GR-1217-CORE (NOVEMBER 1995) CENTRAL OFFICE.
PRESS-FIT TAILS: SEE TABLE
3. PRODUCT SPECIFICATION: GS-12-239
4. APPLICATION SPECIFICATION: GS-20-035
5. PRODUCT MARKING, (PART NUMBER & LOT CODE),
ON THIS SURFACE
6. REFER TO CUSTOMER DRAWING 10035911 FOR INFORMATION
REGARDING PCB LAYOUT OF POWER AND GUIDE MODULES
RELATIVE TO SIGNAL MODULES
7. POSITION F OF ODD NUMBERED COLUMNS AND POSITION G
OF EVEN NUMBERED COLUMNS CORRESPOND TO EARLY MATE
HEADER PINS
8. THERE IS NO GROUND BUSSING WITHIN THE CONNECTOR SYSTEM
9. SEE CUSTOMER DRAWING 10045979 FOR INFORMATION ON PCB HOLE
DIAMETER AND PLATING OPTIONS
10. THIS PRODUCT MEETS EUROPEAN UNION DIRECTIVES AND OTHER
COUNTRY REGULATIONS AS DESCRIBED IN GS-22-008
11. THE HOUSING WILL WITHSTAND EXPOSURE
TO 260°C PEAK TEMPERATURE FOR
40 SECONDS IN A CONVECTION, INFRA-RED
OR VAPOR PHASE REFLOW OVEN
12. PACKAGING MEETS GS-14-920 LEAD FREE
LABELING SPECIFICATION



Copyright FCI.

FCI	title	AirMax VS VERT RECPT ASSY	dwg no	10084587	Rev.	A
	catalog no	PRESS-FIT, 72 POSITION, 12mm	-	CUSTOMER	sheet 4 of 4	

REV F - 2006-04-17

2

PDM: Rev:A

STATUS: Released

4 Printed: Dec 01, 2010