

MICRO SWITCH  
a Honeywell Division

BRIDGE PRESSURE SENSOR

CATALOG LISTING  
136PC65G2

THIS DRAWING COVERS A PROPRIETARY ITEM AND IS THE PROPERTY OF MICRO SWITCH, A DIVISION OF HONEYWELL. THIS DRAWING IS NOT TO BE COPIED OR USED WITHOUT THE APPROVAL OF MICRO SWITCH

GENERAL OPERATING CHARACTERISTICS

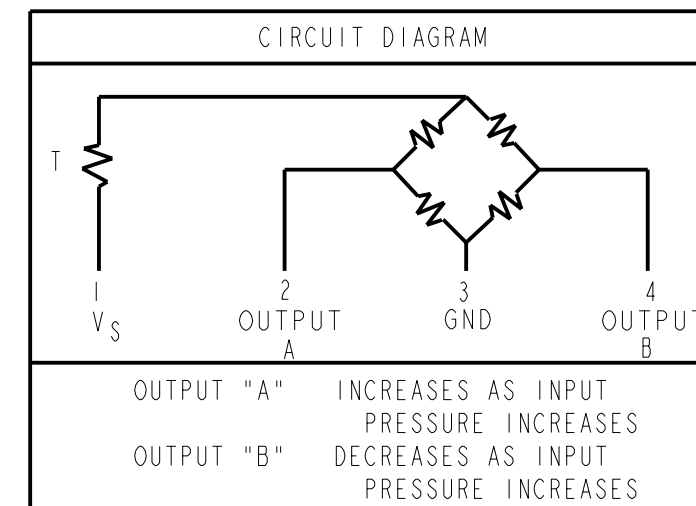
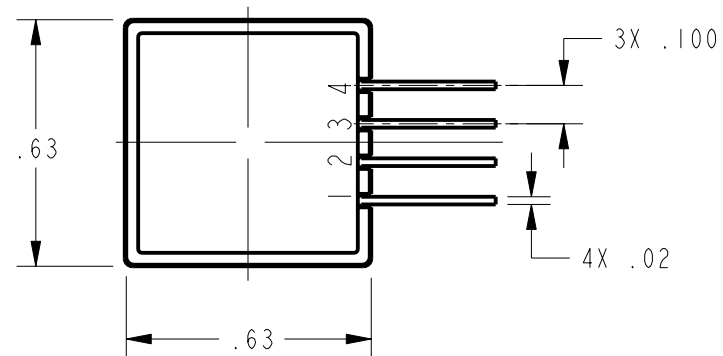
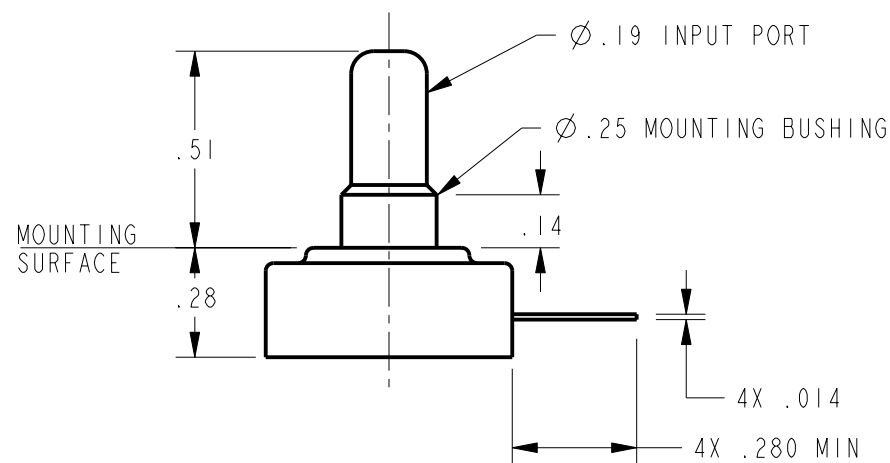
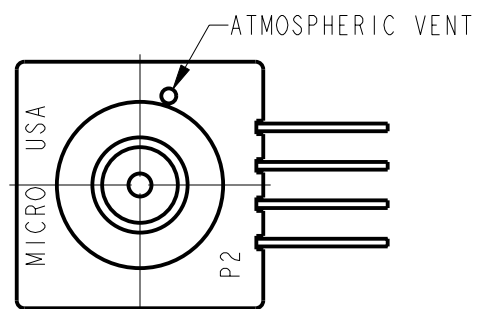
PRESSURE RANGE	0 TO 3360 mmHg (0 TO 65 PSIG)
OVERPRESSURE	12925 mmHg (250 PSI)
TEMPERATURE RANGES	
STORAGE	-55°C TO +125°C
OPERATE	-40°C TO +85°C
COMPENSATED	0°C TO +50°C
SUPPLY VOLTAGE	16 VDC MAX
INPUT RESISTANCE	6800 OHM TYP

ELECTRICAL PERFORMANCE AT 10.00 ± .01 VDC SUPPLY AND +25°C °C

NULL OFFSET	0 ± 1 mV (AT 0 PSI)
F.S.O. / 3	27 ± 1.5 mV
LINEARITY (BFSL) INPUT > VENT	± 1.0% F.S.O. MAX / 3
HYSTERESIS & REPEATABILITY	± .15% F.S.O. TYP / 3

TEMPERATURE ERROR (25°C TO 0°C OR 25°C TO 50°C)

NULL SHIFT	± 4 mV MAX
SENSITIVITY SHIFT	± 3.0% F.S.O. MAX / 3



NOTES

- TERMINALS ARE PLATED FOR SOLDERING
- LIMIT SOLDERING TO 315°C MAX FOR 10 SECONDS MAX
- F.S.O. IS THE ALGEBRAIC DIFFERENCE BETWEEN THE OUTPUT END POINTS (NULL AND FULL PRESSURE)
- INPUT MEDIA LIMITED ONLY TO THOSE MEDIA THAT WILL NOT ATTACK POLYESTER, SILICON OR SILICONE BASED ADHESIVE

THIRD ANGLE PROJECTION	
SCALE	2 : 1
DO NOT SCALE PRINT	
UNLESS OTHERWISE SPECIFIED TOLERANCES ARE	
ONE PLACE	(.0) ±.030
TWO PLACE	(.00) ±.015
THREE PLACE	(.000) ±.005
ANGLES	±
WEIGHT	

PTC/CAD 2D DRAWN  
 D L T 30 JUL 02  
 SAV 30 JUL 02  
 CHECK  
 D L T 30 JUL 02  
 CHECK  
 REVISIONS  
 A 206110  
 D L T  
 30 JUL 02  
 ISSUE 3  
 M  
 CATALOG LISTING  
 136PC65G2  
 PAGE 1 OF 1  
 RELEASE NO. CO-77378  
 REPLACES -