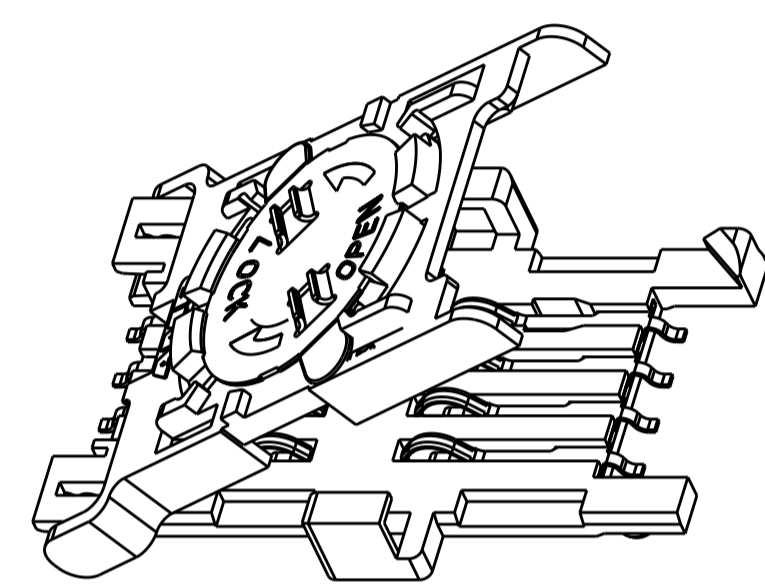
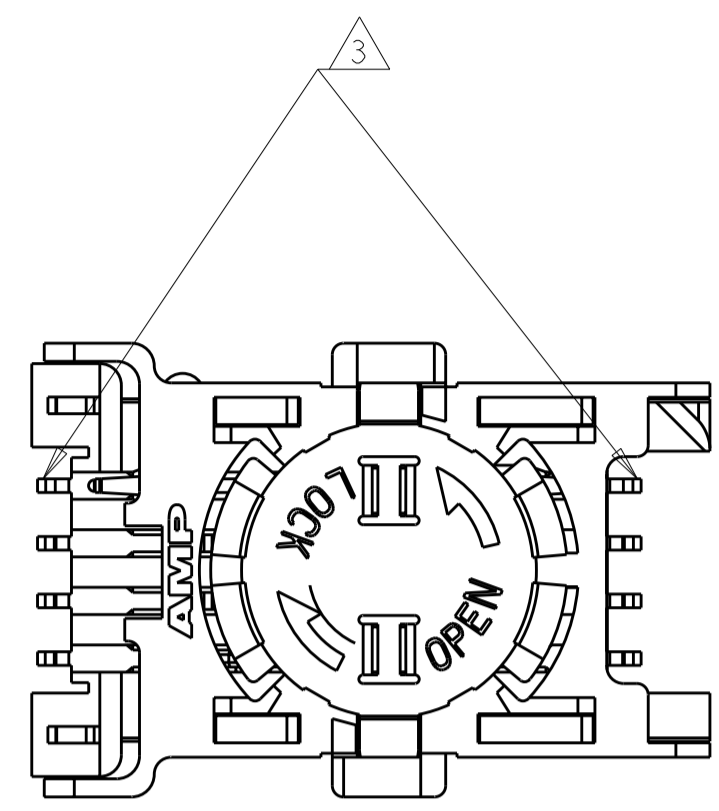


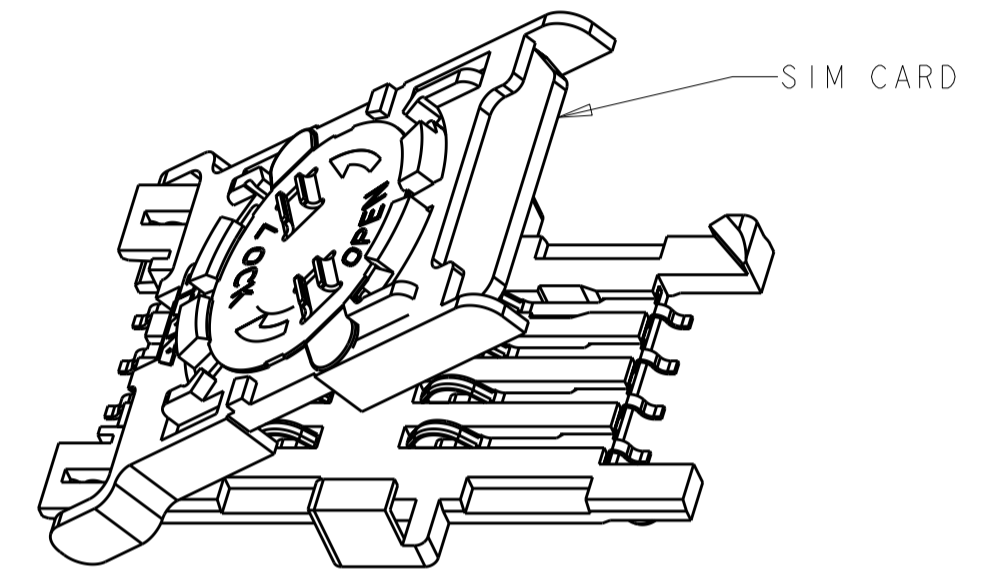
THIS DRAWING IS UNPUBLISHED. RELEASED FOR PUBLICATION 20
 © COPYRIGHT 20 BY - ALL RIGHTS RESERVED.

LOC	DIST	REVISIONS					
GP	00	P	LTR	DESCRIPTION	DATE	DWN	APVD
		P		REVISED PER ECO-11-005027	16MAR2011	RK	HMR

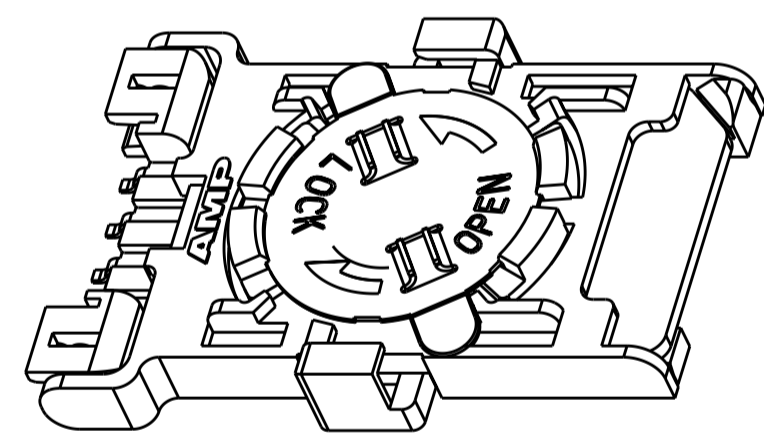
- 1 HOUSING: THERMOPLASTIC, CONTACTS: PHOSPHOR BRONZE, LOCKING DISK: STAINLESS STEEL.
- 2 CONTACTS: GOLD PLATE ON MATING SURFACE, TIN ON SOLDER TAIL, ALL OVER NICKEL UNDERPLATE.
- 3 CARD DETECTOR SWITCH CONTACTS IF APPLICABLE.
- 4 DATUMS AND DIMENSIONS ESTABLISHED BY CUSTOMER.



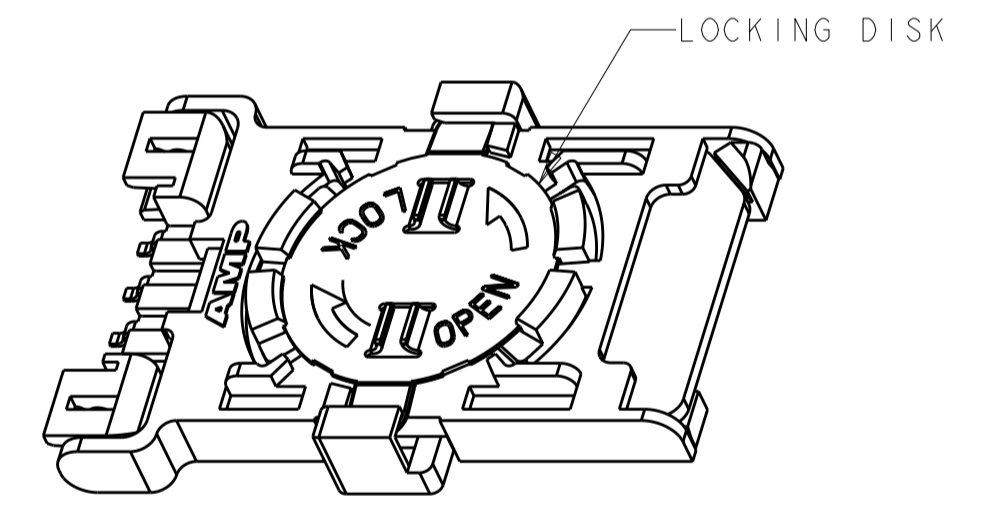
CONNECTOR SHOWN OPEN WITH HINGED COVER AND LOCKING MECHANISM



STEP 1
SLIDE SIM CARD INTO LID

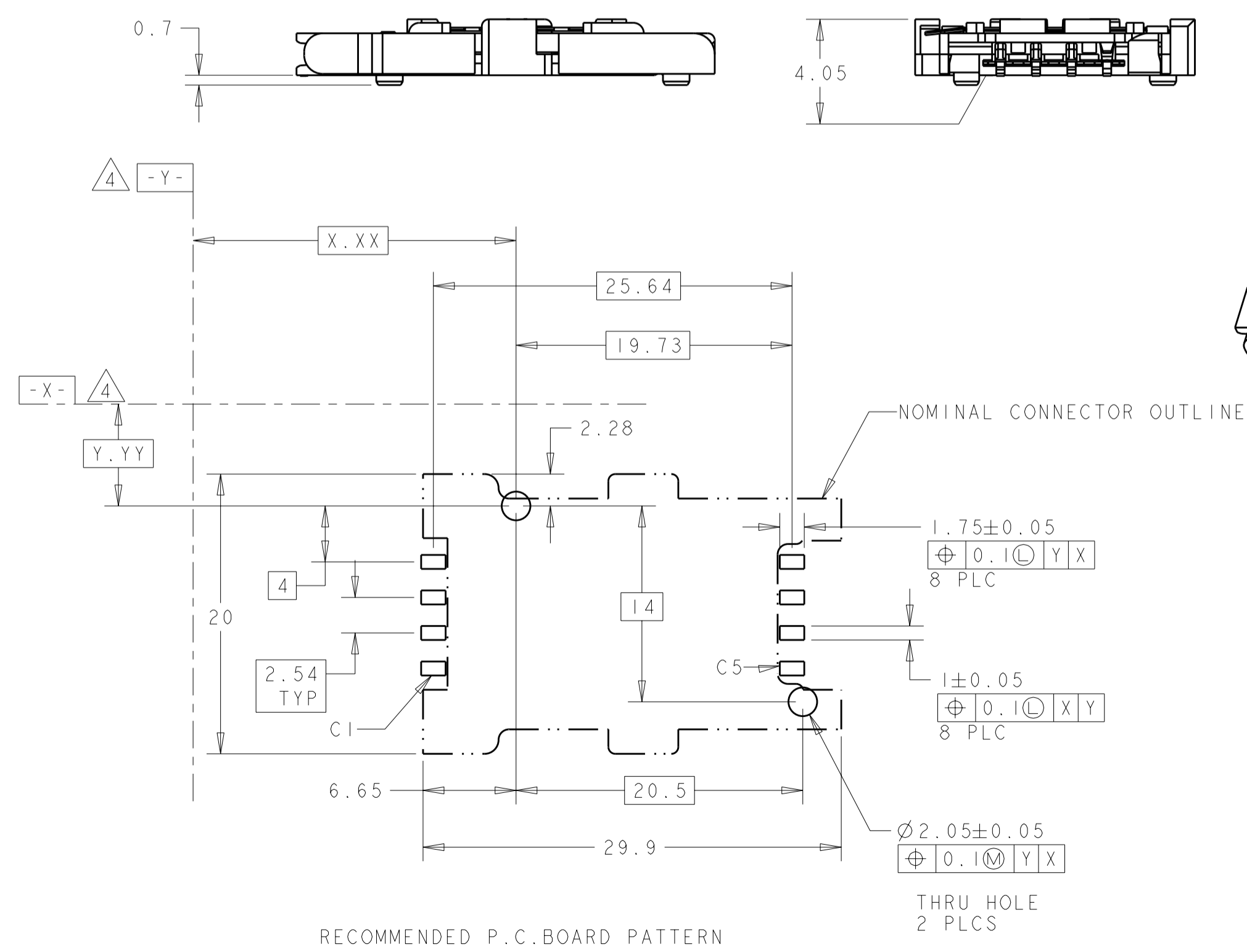


STEP 2
ROTATE LID DOWN TO HORIZONTAL POSITION



STEP 3
ROTATE LOCKING DISK CLOCKWISE TO SECURE SIM CARD IN READABLE POSITION

TO REMOVE CARD, ROTATE LOCKING DISK COUNTER CLOCKWISE, SIM CARD WILL THEN BE ACCESSIBLE AS SEEN IN STEP 1.



8	5145299-2
6	5145299-1
POSITIONS	PART NUMBER

THIS DRAWING IS A CONTROLLED DOCUMENT.		DWN J. GERACE 01JUN05	TE Connectivity		
DIMENSIONS: mm		CHK D. GORENC 01JUN05			
TOLERANCES UNLESS OTHERWISE SPECIFIED:		APVD M. WALMSLEY 01JUN05	NAME SIM/SAM CONNECTOR WITH LID, 8 POSN OR 6 POSN WITH SWITCH, SURFACE MOUNT		
0 PLC ± 1 PLC ± 2 PLC ± 3 PLC ± 4 PLC ± ANGLES ± FINISH		PRODUCT SPEC - APPLICATION SPEC -	SIZE A2	CAGE CODE 0779	DRAWING NO 5145299
MATERIAL		WEIGHT -	RESTRICTED TO -		
		CUSTOMER DRAWING	SCALE 3:1	SHEET 1	OF 1
				REV P	