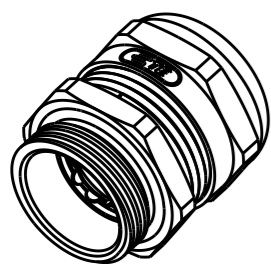
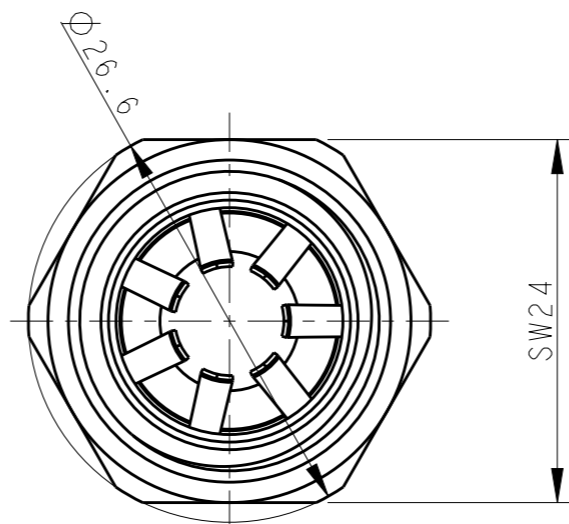
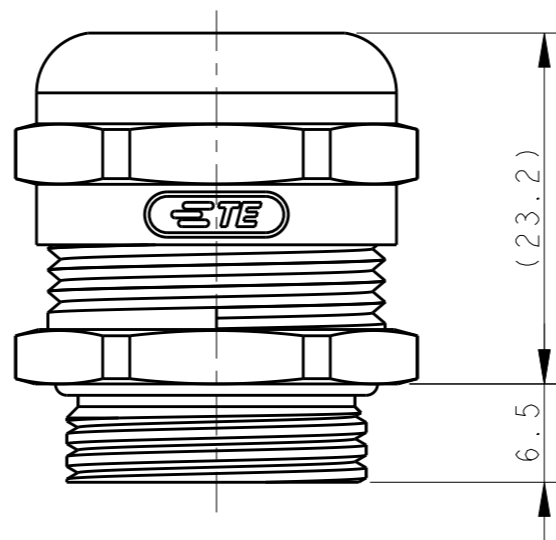
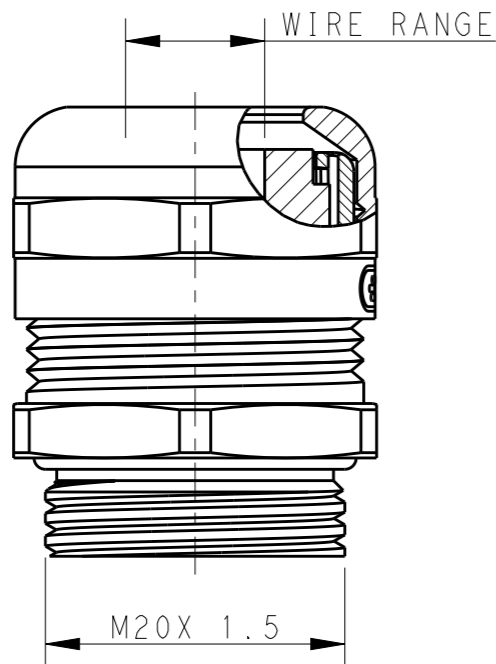


REVISIONS

P	LTR	DESCRIPTION	DATE	DWN	APVD
	A	INITIAL RELEASE	25JUL2016	DW	CW



SCALE 1:1



NOTES / 技术指标:

- 1. TECHNICAL CHARACTERISTICS / 技术参数:
 - SHELL MATERIAL / 主体材料: NICKEL PLATED BRASS / 铜镀镍
 - SEAL MATERIAL / 密封材料: NBR / 丁腈橡胶
 - PINCH RING MATERIAL / 夹紧件材料: PA / 尼龙塑料
 - OPERATION TEMPERATURE / 工作温度: -40°C - +100°C
 - PROTECTION DEGREE / 防护等级: IP68
 - WIRE RANGE / 夹线范围: 5-9 mm

T3707200113-000	DLX-20-MTC (5-9) 电磁屏蔽金属接头(M20)(5-9)
PART NUMBER 料号	PART DESCRIPTION 描述

THIS DRAWING IS A CONTROLLED DOCUMENT.

DIMENSIONS: mm	TOLERANCES UNLESS OTHERWISE SPECIFIED:
	0 PLC ±-
	1 PLC ±-
	2 PLC ±-
	3 PLC ±-
	4 PLC ±-
	ANGLES ±-
MATERIAL	FINISH
-	-
-	-

DWN	25JUL2016
DAVID WANG	
CHK	25JUL2016
CHRIS WANG	
APVD	25JUL2016
XIANG XU	
PRODUCT SPEC	-
APPLICATION SPEC	-
WEIGHT	-
CUSTOMER DRAWING	

STE TE Connectivity

NAME DLX-20-MTC (5-9)

SIZE	CAGE CODE	DRAWING NO	RESTRICTED TO
A3	00779	©-T3707200113000	-

SCALE 2:1 SHEET 1 OF 1 REV A