

3/8 " Pass Thru Stud Block

RoHS



Specifications:

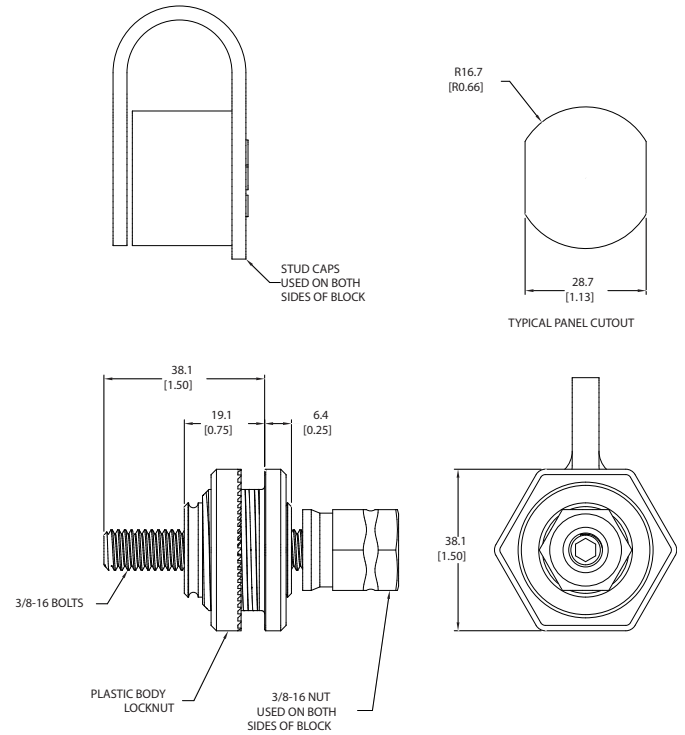
| | |
|-------------------------------------|---|
| Voltage Rating: | 400A |
| Locknut Torque: | 54.2 Nm |
| Body Mounting Nut Torque: | 13.6 Nm |
| Materials: | Body-Nylon 66 (120°C) Contact - Copper 110 Studs - Zinc-plated steel Locknut - Zinc-plated steel Body nut - Nylon 66 Stud caps - PVC |
| Operating Temperature Range: | -40°C - 125°C |

Our 3/8" pass-thru stud has a high electrical rating and low resistance due to a large cross-sectional contact area. It also uses highly conductive materials to outperform the competition.

This pass-thru stud boasts high installation torque values to allow the use of large cable sizes for high current applications. Stud caps are included to protect from accidental shorts.

The pass-thru stud is available with red or black body and stud cap to help color-code circuits in the vehicle. A plastic body locknut ensures quick and easy firewall-mount installation without the need for additional hardware.

Dimensions in millimeters



| Part Number | Color |
|-------------|-------|
| JBPT0001Z | Red |
| JBPT0002Z | Black |