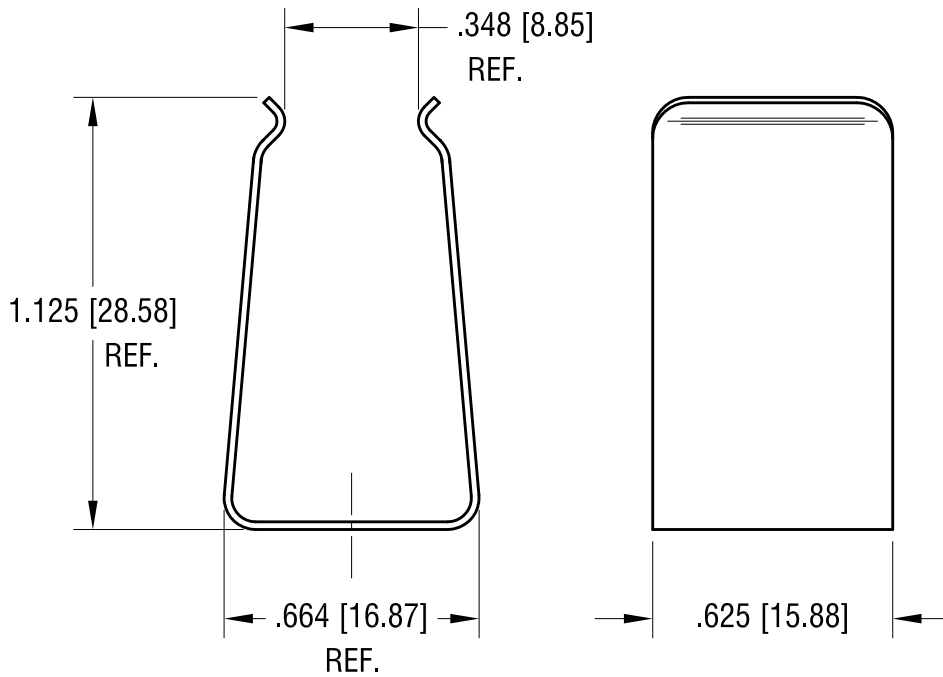
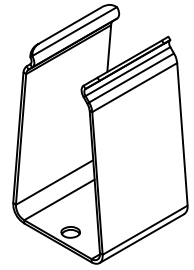
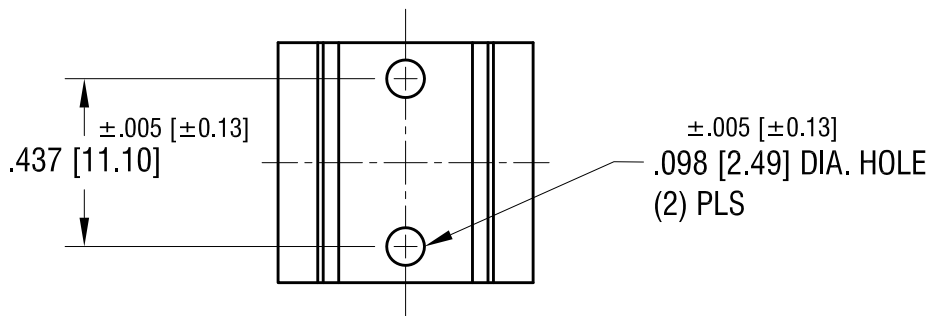


THIS DOCUMENT IS THE PROPERTY OF
KEYSTONE ELECTRONICS CORP. AND
SHALL NOT BE REPRODUCED, DISTRIBUTED
OR USED AS A BASIS FOR MANUFACTURE
WITHOUT PRIOR WRITTEN PERMISSION
FROM KEYSTONE ELECTRONICS CORP.

ACTUAL SIZE



KEYSTONE ELECTRONICS CORP.

www.keyelco.com • ASTORIA, N.Y. 11105-2017 • Tel (718) 956-8900

PART NAME

'9' VOLT COMPONENT CLIP

MATERIAL

.020 [0.50] TH'K ALUMINUM 2024-T3

FINISH

-

DRN BY

BOONE

DATE

11.3.81

APP'D

LN

SCALE

2X

TOLERANCES

INCH [MM]

DECIMAL $\pm .010$ [± 0.25]

ANGULAR $\pm 1^\circ$

UNLESS OTHERWISE SPECIFIED

CODE

C

DWG NO.

95

10.3.97	CHANGE PER ECR 97-049	C
8.17.94	CHANGE PER ECR 94-040	B
11.15.82	REVISED	A
DATE	DESCRIPTION	REV.