

SPECIFICATIONS:

**MATERIAL**  
CASE & COVER, PPS, UL94V-0, BLACK  
ACTUATOR/ROTOR, PA46, UL94V-0, SEE P/N TABLE FOR COLOR  
FIXED CONTACT/TERMINAL: COPPER ALLOY-GOLD OVER NICKEL PLATE  
MOVING CONTACT, COPPER ALLOY- GOLD OVER NICKEL PLATE  
PLATE, STAINLESS STEEL  
SPRING, STAINLESS STEEL  
O-RING, RUBBER

**ELECTRICAL**  
MAX CONTACT RATING SWITCHING, .4VA @ 20 V AC OR DC  
MIN CONTACT RATING SWITCHING, 1MICROAMP @ 1 MILLIVOLT  
INITIAL CONTACT RESISTANCE, 100 MILLIOHMS MAX. @ 2V DC 10MILLIAMPS  
CONTACT RESISTANCE AFTER TEST, 300 MILLIOHMS MAX.  
INSULATION RESISTANCE, 1,000 MEGOHMS MIN. @ 250 VDC  
DIELECTRIC STRENGTH, 250 VAC RMS @ SEA LEVEL  
LIFE, 10,000 STEPS MIN. @ 5V DC 10MILLIAMPS

**MECHANICAL**  
OPERATING FORCE, 200 GF-CM MAX.  
MECHANICAL LIFE, 20,000 STEPS MIN., NO LOAD

**ENVIRONMENTAL**  
OPERATING TEMPERATURE, -30 TO +85 DEGREES C  
STORAGE TEMPERATURE, -45 TO + 100 DEGREES C  
VIBRATION, PER EIA-364-28D, CONDITION 1  
MECHANICAL SHOCK, PER EIA-364-27B, CONDITION A  
RESISTANCE TO SOLDER HEAT PER 109-202 CONDITION B (THRU-HOLE), & 109-201, CONDITION B (SURFACE MOUNT)  
SOLDERABILITY PER JIS-C-0050 & JIS-C-0053

NOTES:

- ALL MATERIALS AND FINISHES SHALL COMPLY WITH EU DIRECTIVE 2002/95/EC OF 27JAN2003 (ROHS)
- TO BE SUPPLIED WITH ACTUATOR AT POSITION "7" FOR MRD10C & MRD10CS, POSITION "F" FOR MRD16C & MRD16CS AND POSITION "0" FOR ALL REMAINING MODELS
- TAPE & REEL PKG PER EIA 481 TAPE WIDTH 16mm, PITCH 16mm.
- LOCATE "ALCO" TRADE NAME AND LOT NUMBER ON THIS SURFACE. LOT NUMBER TO BE MARKED AS FOLLOWS:  
1ST DIGIT YEAR      2ND DIGIT MONTH

GREEN	MRD16RASTR04	2-1825013-4
WHITE	MRD16CRASTR04	2-1825013-3
RED	MRD10RASTR04	2-1825013-2
ORANGE	MRD10CRASTR04	2-1825013-1
GREEN	MRD16STR04	2-1825013-0
GREEN	MRD16S04	1-1825013-9
GREEN	MRD16RAS04	1-1825013-8
GREEN	MRD16RA04	1-1825013-7
WHITE	MRD16CSTR04	1-1825013-6
WHITE	MRD16CS04	1-1825013-5
WHITE	MRD16CRAS04	1-1825013-4
WHITE	MRD16CRA04	1-1825013-3
WHITE	MRD16C04	1-1825013-2
GREEN	MRD1604	1-1825013-1
RED	MRD10STR04	1-1825013-0
RED	MRD10S04	1825013-9
RED	MRD10RAS04	1825013-8
RED	MRD10RA04	1825013-7
ORANGE	MRD10CSTR04	1825013-6
ORANGE	MRD10CS04	1825013-5
ORANGE	MRD10CRAS04	1825013-4
ORANGE	MRD10CRA04	1825013-3
ORANGE	MRD10C04	1825013-2
RED	MRD1004	1825013-1
ROTOR COLOR	OLD T&B P/N	P/N

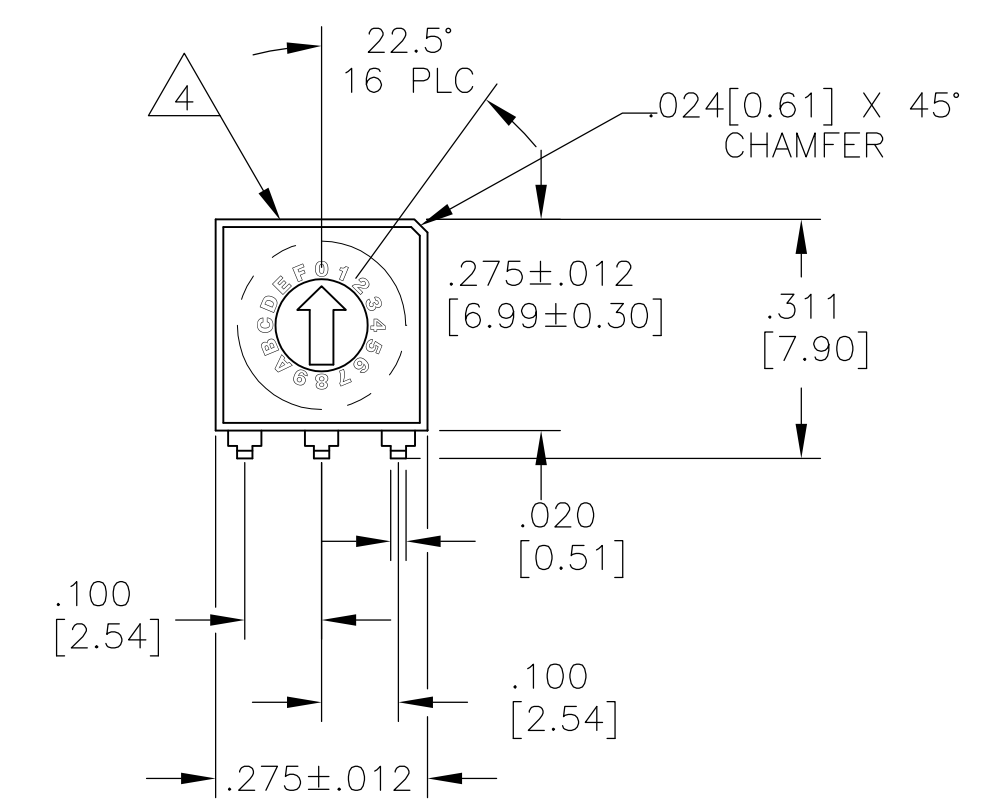
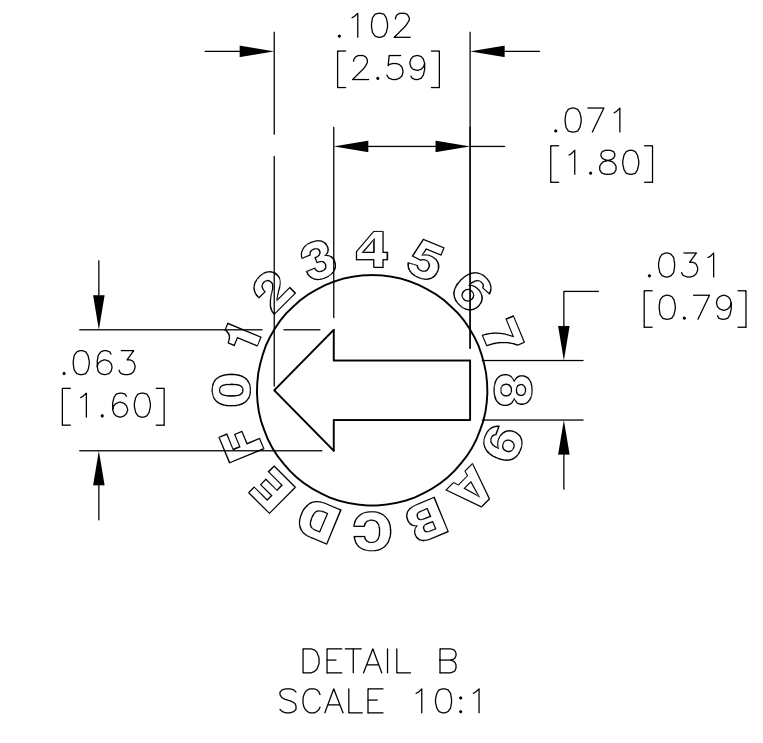
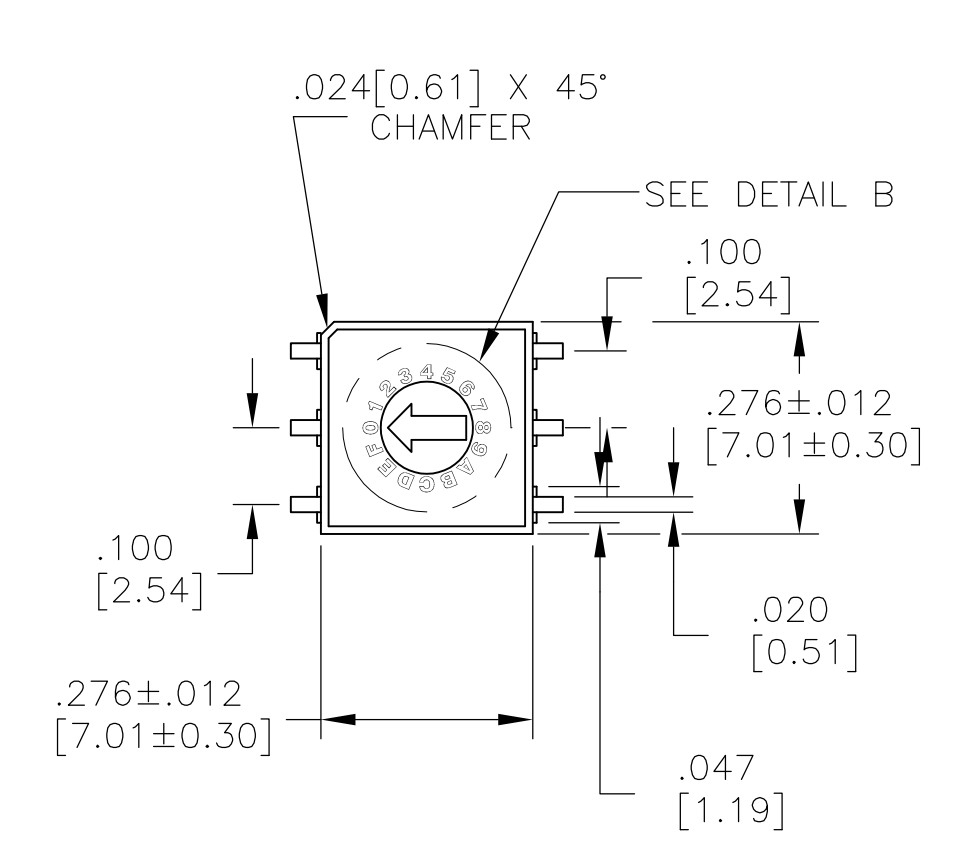
HOW TO ORDER: MRD- [ ] [ ] [ ]

**CIRCUIT TYPES:**  
10 = BC DECIMAL  
10C = BCD COMPLIMENT  
16 = HEXADECIMAL  
16C = HEXADECIMAL COMPLIMENT

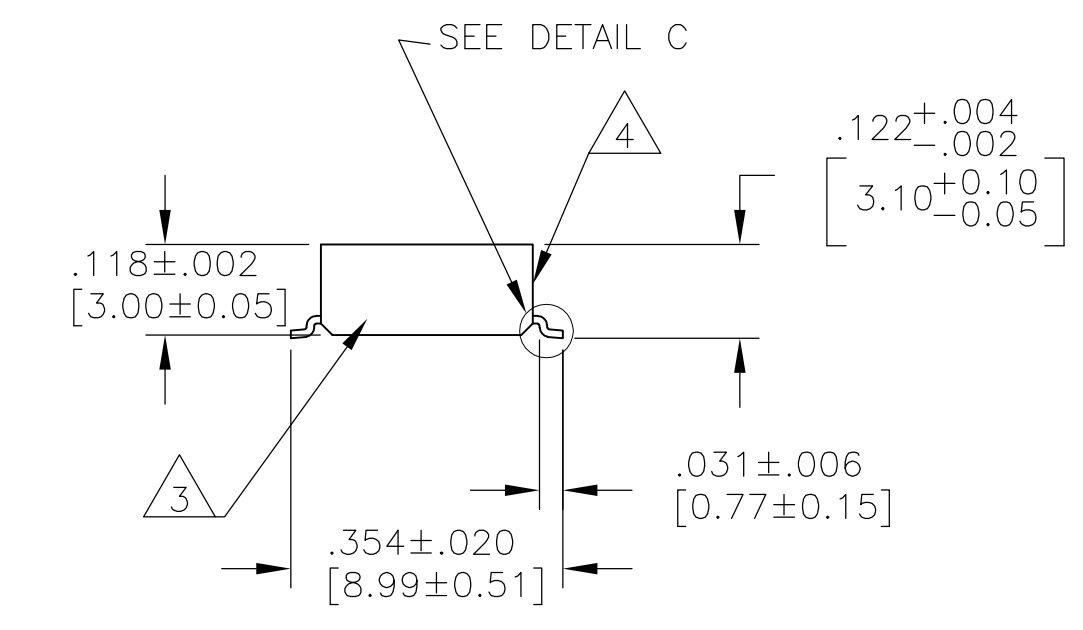
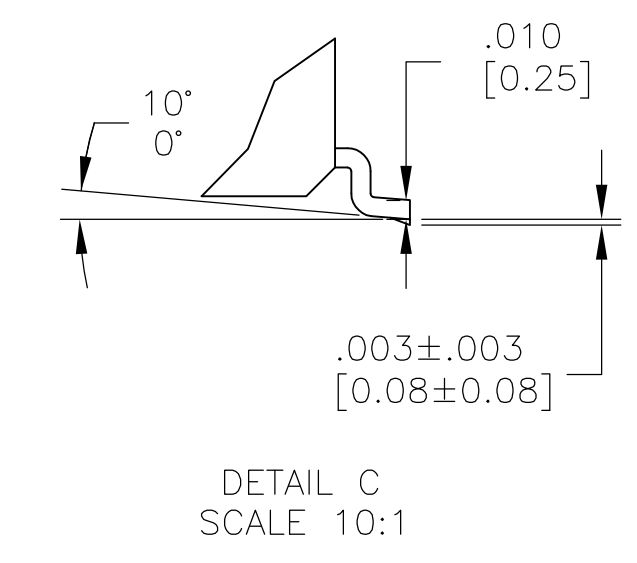
**TERMINATIONS:**  
BLANK = PC  
S = OUTSIDE L, SURFACE MOUNT  
RA= RIGHT ANGLE

**PACKAGING:**  
TR = TAPE & REEL  
(SURFACE MOUNT ONLY SEE SHEET 3)

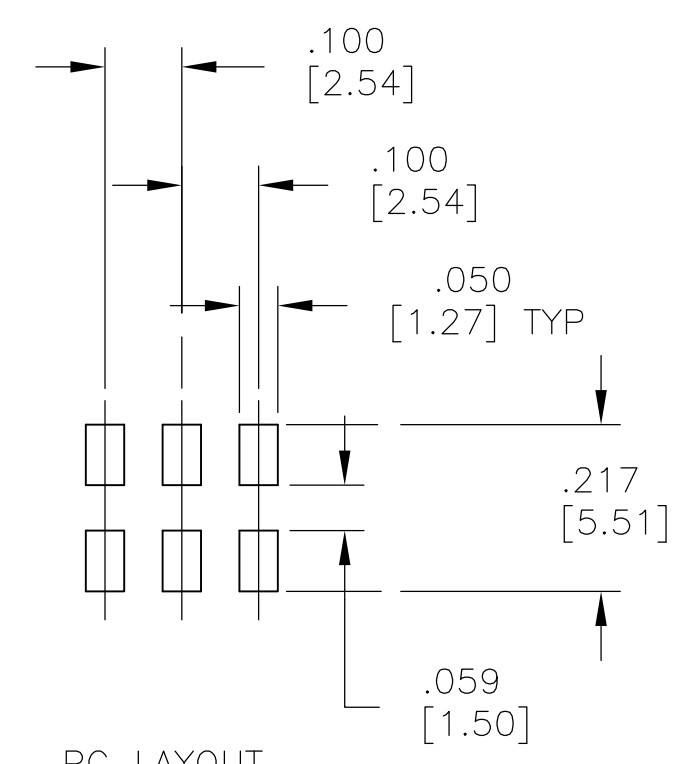
THIS DRAWING IS A CONTROLLED DOCUMENT.		DIN	M. BINNER	25JUL02
DIMENSIONS: INCHES[mm]		CHK	M. SARVER	25JUL02
TOLERANCES UNLESS OTHERWISE SPECIFIED:		APP'D	M. SARVER	25JUL02
0 PLC ± -		NAME		
1 PLC ± -		MRD SERIES 7MM ROTARY DIP SWITCH		
2 PLC ± -		PRODUCT SPEC		
3 PLC ± .01(0.25)		APPLICATION SPEC		
4 PLC ± - # Z		SIZE		
ANGLES ± - # Z		CAGE CODE		
MATERIAL SEE SPECIFICATION		DRAWING NO		
FINISH -		RESTRICTED TO		
WEIGHT -		A1 00779 ©=1825013		
CUSTOMER DRAWING		SCALE 4:1 SHEET 1 OF 2 REV B1		



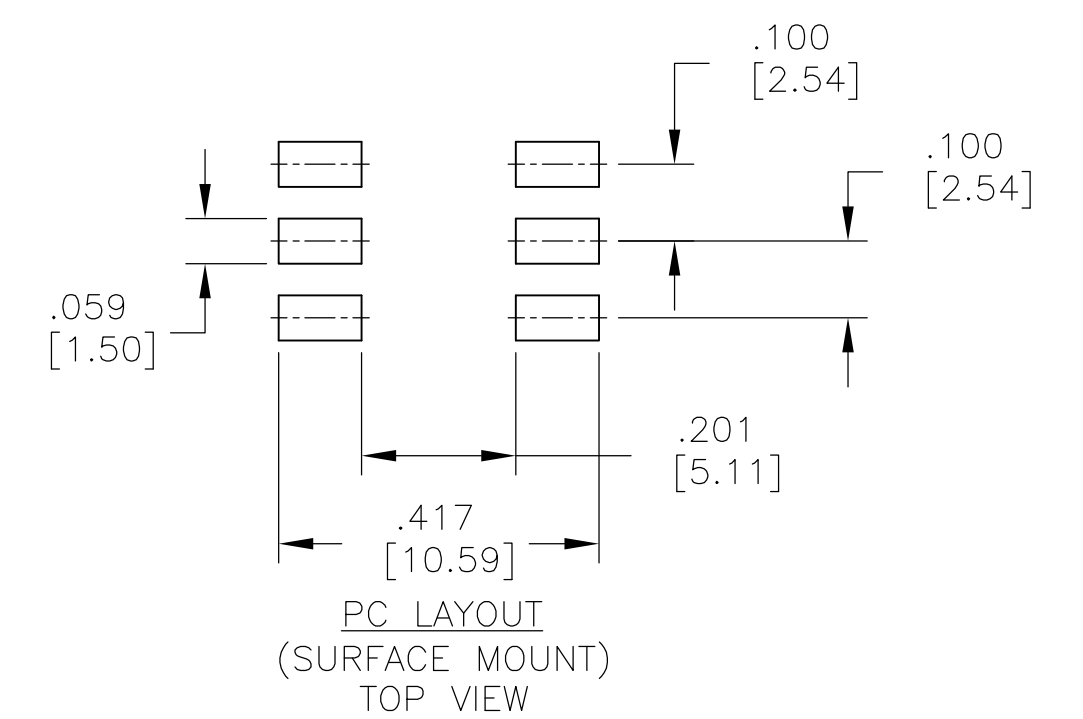
RIGHT ANGLE SURFACE MOUNT



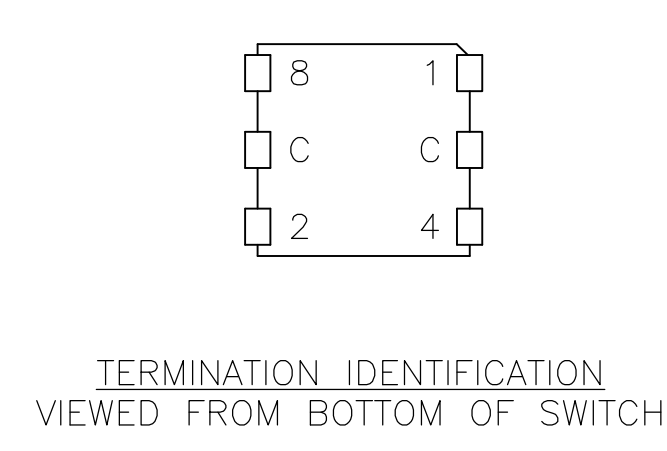
SURFACE MOUNT



PC LAYOUT (RIGHT ANGLE SURFACE MOUNT) TOP VIEW



PC LAYOUT (SURFACE MOUNT) TOP VIEW



TERMINATION IDENTIFICATION VIEWED FROM BOTTOM OF SWITCH

10 POSITION, BCD COMPLEMENT

POS	0	1	2	3	4	5	6	7	8	9
C	X	X	X	X	X	X	X	X	X	X
1	X		X		X		X		X	
2	X	X			X	X			X	X
4	X	X	X	X					X	X
8	X	X	X	X	X	X	X	X		

10 POSITION, BCD

POS	0	1	2	3	4	5	6	7	8	9
C	X	X	X	X	X	X	X	X	X	X
1		X		X		X		X		X
2			X	X			X	X		
4					X	X	X	X		
8									X	X

16 POSITION, HEXADECIMAL

POS	0	1	2	3	4	5	6	7	8	9	A	B	C	D	E	F
C	X	X	X	X	X	X	X	X	X	X	X	X	X	X	X	X
1		X		X		X		X		X		X		X		
2			X	X			X	X			X	X			X	
4					X	X	X	X					X	X	X	
8									X	X	X	X	X	X	X	

16 POSITION, HEXADECIMAL COMPLEMENT

POS	0	1	2	3	4	5	6	7	8	9	A	B	C	D	E	F
C	X	X	X	X	X	X	X	X	X	X	X	X	X	X	X	X
1	X		X		X		X		X		X		X		X	
2	X	X			X	X			X	X			X	X		
4	X	X	X	X					X	X	X	X				
8	X	X	X	X	X	X	X	X								

COLOR CODE

CIRCUIT TYPE	ACTUATOR COLOR
10	RED
10C	ORANGE
16	GREEN
16C	WHITE

THIS DRAWING IS A CONTROLLED DOCUMENT. DIMENSIONS: INCHES[mm]. TOLERANCES UNLESS OTHERWISE SPECIFIED: 0 PLC ± .010, 1 PLC ± .010, 2 PLC ± .010, 3 PLC ± .010, 4 PLC ± .010, ANGLES ± .5°. MATERIAL: SEE SHEET 1. FINISH: -. DWG: M. BINNER, 25JUL02. CHK: M. SARVER, 25JUL02. APP'D: M. SARVER, 25JUL02. NAME: MRD SERIES 7MM ROTARY DIP SWITCH. SIZE: A1. CAGE CODE: 1825013. DRAWING NO: 00779. WEIGHT: -. RESTRICTED TO: -. CUSTOMER DRAWING. SCALE: 4:1. SHEET: 2 OF 2. REV: B1.