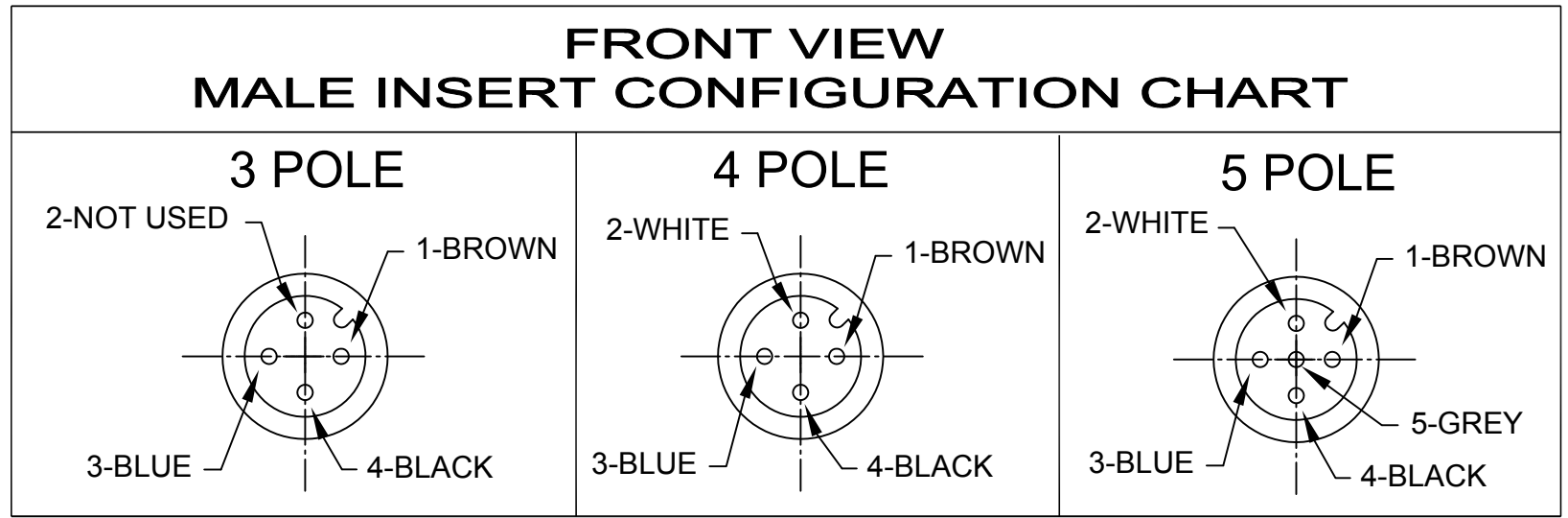


POL	MATERIAL NUMBER	ENGINEERING NUMBER	FINISHED LENGTH
3	1200700093	8R3006A18A120	12.0" +.75" -0 [.3M +19.1 -0]

CONNECTOR SPECIFICATION:

VOLTAGE RATING	250 VAC/VDC
AMPERAGE RATING	4 AMPS
PROTECTION	IP67
OPERATING TEMPERATURE	-20°C TO 80°C
UL CERTIFICATIONS	UL LISTED, FILE NO. E152210
CSA CERTIFICATIONS	CSA CERTIFIED, FILE NO. LR6837

ITEM	COMPONENT	MATERIAL	FINISH
7	LABLE	MYLAR	BLACK/YELLOW
6	LOCKNUT	STEEL	ZINC PLATED
5	O-RING	VITON	BLACK
4	CONTACT PIN	COPPER ALLOY	GOLD OVER NICKEL
3	RECEPTICAL SHELL	ALUMINIUM	ZINC PLATED
2	MALE INSERT	NYLON	BLACK
1	CONDUCTOR- 22 AWG (26x#36 STRANDING) 3-5 CONDUCTOR 300V	PVC	SEE WIRING DIAGRAMM



DESCRIPTION EC NO: WEU2010-0364 DRWN: LSTEMMLE 2010/02/17 CHKD: NS APPR: FPACHER 2010/02/24 REV 1	QUALITY SYMBOLS ▽ = 0 ▽/C = 0	GENERAL TOLERANCES (UNLESS SPECIFIED) <table border="1" style="width: 100%; text-align: center;"> <thead> <tr> <th></th> <th>mm</th> <th>INCH</th> </tr> </thead> <tbody> <tr> <td>4 PLACES</td> <td>±---</td> <td>±---</td> </tr> <tr> <td>3 PLACES</td> <td>±---</td> <td>±---</td> </tr> <tr> <td>2 PLACES</td> <td>±---</td> <td>±.01</td> </tr> <tr> <td>1 PLACE</td> <td>±0.3</td> <td>±---</td> </tr> <tr> <td colspan="3">ANGULAR ± --- °</td> </tr> </tbody> </table>		mm	INCH	4 PLACES	±---	±---	3 PLACES	±---	±---	2 PLACES	±---	±.01	1 PLACE	±0.3	±---	ANGULAR ± --- °			DIMENSION STYLE IN/MM DRAWN BY DATE LSTEMMLE 2010/02/17 CHECKED BY DATE FP 2010/02/18 APPROVED BY DATE FPACHER 2010/02/19	SCALE 2:1 DESIGN UNITS METRIC 	MICRO CHANGE RECEPTACLE 3-5 POLE MALE #22/3-5 AWG PVC WIRING MOLEX INCORPORATED MATERIAL NO. SD-120070-015 DOCUMENT NO. SD-120070-015 SHEET NO. 1 OF 1
		mm	INCH																				
	4 PLACES	±---	±---																				
	3 PLACES	±---	±---																				
2 PLACES	±---	±.01																					
1 PLACE	±0.3	±---																					
ANGULAR ± --- °																							
DRAFT WHERE APPLICABLE MUST REMAIN WITHIN DIMENSIONS		SEE TABLE	THIS DRAWING CONTAINS INFORMATION THAT IS PROPRIETARY TO MOLEX INCORPORATED AND SHOULD NOT BE USED WITHOUT WRITTEN PERMISSION																				