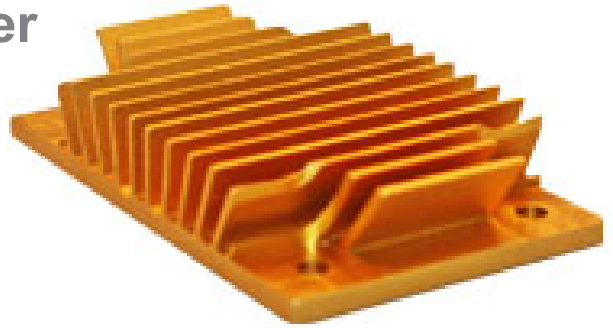




# maxiFLOW™ Heat Sink for Quarter Brick DC-DC Converter

**ATS PART # ATS-1139-C1-R0**



*\*Image is for illustration purposes only.*

## Features & Benefits

- » High performance maxiFLOW™ design features less pressure drop and more surface area that maximizes the effective convection (air) cooling
- » Hole pattern fits standard quarter power brick modules
- » Pre-assembled with Chomerics T766 phase change material
- » Heat sink assembly packaged with 3 sets of screws (M3 Philips Pan Head) at 5, 6 and 8 mm lengths

## Assembly Part Number

4 Screws per Set

## Length (mm)

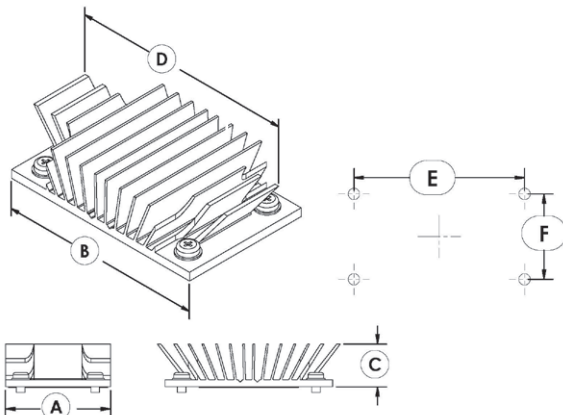
|                |   |
|----------------|---|
| ATS-1139-C2-R0 | 5 |
| ATS-1139-C3-R0 | 6 |
| ATS-1139-C4-R0 | 8 |

## Thermal Performance

| AIR VELOCITY |     | THERMAL RESISTANCE   |                    |
|--------------|-----|----------------------|--------------------|
| FT/MIN       | M/S | °C/W (UNDUCTED FLOW) | °C/W (DUCTED FLOW) |
| 200          | 1.0 | 3.7                  | 2.5                |
| 300          | 1.5 | 2.9                  |                    |
| 400          | 2.0 | 2.5                  |                    |
| 500          | 2.5 | 2.2                  |                    |
| 600          | 3.0 | 2.1                  |                    |
| 700          | 3.5 | 1.9                  |                    |
| 800          | 4.0 | 1.8                  |                    |

## Product Details

| DIMENSION A | DIMENSION B | DIMENSION C | DIMENSION D | DIMENSION E | DIMENSION F | INTERFACE MATERIAL | FINISH        |
|-------------|-------------|-------------|-------------|-------------|-------------|--------------------|---------------|
| 37.0 mm     | 59.0 mm     | 11.4 mm     | 58.7 mm     | 47.2 mm     | 26.2 mm     | CHOMERICS T766     | GOLD ANODIZED |



### NOTES:

- 1) Thermal performance data are provided for reference only. Actual performance may vary by application.
- 2) ATS reserves the right to update or change its products without notice to improve the design or performance.
- 3) Standard lead time is 4-6 weeks ARO.
- 4) Contact ATS to learn about custom options available.
- 5) Dimension C = heat sink height from bottom of the base to the top of the fin field.
- 6) Dimension D = Fin Tip to Fin Tip
- 7) Dimension E = Hole Width
- 8) Dimension F = Hole Length



**ATS** ADVANCED THERMAL SOLUTIONS, INC.  
Innovations in Thermal Management®

For further technical information, please contact Advanced Thermal Solutions, Inc.

89-27 ACCESS ROAD, NORWOOD, MA 02062 USA | T: 781.769.2800 F: 781.769.9979 | WWW.QATS.COM

REV4\_0117