

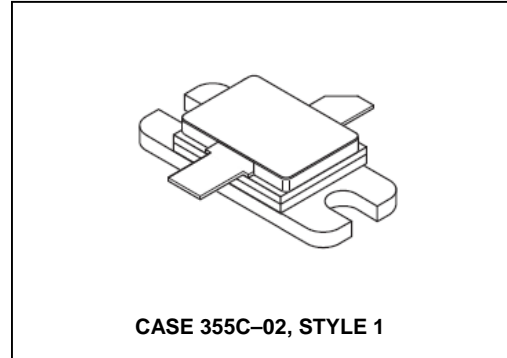
Microwave Long Pulse Power Silicon NPN Transistor 120W (peak), 960–1215MHz

M/A-COM Products
Released - Rev. 07.07

Designed for 960–1215 MHz long pulse common base amplifier applications such as JTIDS and Mode S transmitters.

- Guaranteed performance @ 1.215 GHz, 36 Vdc
Output power = 120 W Peak
Gain = 7.6 dB min., 8.5 dB (typ.)
- 100% tested for load mismatch at all phase angles with 3:1 VSWR
- Hermetically sealed industry standard package
- Silicon nitride passivated
- Gold metalized, emitter ballasted for long life and resistance to metal migration
- Internal input and output matching for broadband operation

Product Image



MAXIMUM RATINGS

Rating	Symbol	Value	Unit
Collector–Emitter Voltage	V_{CES}	55	Vdc
Collector–Base Voltage	V_{CBO}	55	Vdc
Emitter–Base Voltage	V_{EBO}	3.5	Vdc
Collector Current — Peak (1)	I_C	15	Adc
Total Device Dissipation @ $T_C = 25^\circ\text{C}$ (1), (2) Derate above 25°C	P_D	380 2.17	Watts $\text{W}/^\circ\text{C}$
Storage Temperature Range	T_{stg}	-65 to +200	$^\circ\text{C}$
Junction Temperature	T_J	200	

THERMAL CHARACTERISTICS

Characteristic	Symbol	Max	Unit
Thermal Resistance, Junction to Case (3)	$R_{\theta JC}$	0.46	$^\circ\text{C}/\text{W}$

ELECTRICAL CHARACTERISTICS ($T_C = 25^\circ\text{C}$ unless otherwise noted.)

Characteristic	Symbol	Min	Typ	Max	Unit
----------------	--------	-----	-----	-----	------

OFF CHARACTERISTICS

Collector–Emitter Breakdown Voltage ($I_C = 60 \text{ mAdc}$, $V_{BE} = 0$)	$V_{(BR)CES}$	55	—	—	Vdc
Collector–Base Breakdown Voltage ($I_C = 60 \text{ mAdc}$, $I_E = 0$)	$V_{(BR)CBO}$	55	—	—	Vdc
Emitter–Base Breakdown Voltage ($I_E = 10 \text{ mAdc}$, $I_C = 0$)	$V_{(BR)EBO}$	3.5	—	—	Vdc
Collector Cutoff Current ($V_{CB} = 36 \text{ Vdc}$, $I_E = 0$)	I_{CBO}	—	—	25	mAdc

NOTES:

1. Under pulse RF operating conditions.
2. These devices are designed for RF operation. The total device dissipation rating applies only when the device is operated as RF amplifiers.
3. Thermal Resistance is determined under specified RF operating conditions by infrared measurement techniques.

(continued)

Microwave Long Pulse Power Silicon NPN Transistor
120W (peak), 960–1215MHz

M/A-COM Products
 Released - Rev. 07.07

ELECTRICAL CHARACTERISTICS — continued ($T_C = 25^\circ\text{C}$ unless otherwise noted.)

Characteristic	Symbol	Min	Typ	Max	Unit
ON CHARACTERISTICS					
DC Current Gain ($I_C = 5.0 \text{ Adc}$, $V_{CE} = 5.0 \text{ Vdc}$)	h_{FE}	20	—	—	—
FUNCTIONAL TESTS (7.0 μs Pulses @ 54% duty cycle for 3.4 ms; then off for 4.5 ms; overall duty cycle = 23%)					
Common-Base Amplifier Power Gain ($V_{CC} = 36 \text{ Vdc}$, $P_{out} = 120 \text{ W Peak}$, $f = 1215 \text{ MHz}$)	G_{PB}	7.6	8.5	—	dB
Collector Efficiency ($V_{CC} = 36 \text{ Vdc}$, $P_{out} = 120 \text{ W Peak}$, $f = 1215 \text{ MHz}$)	η	50	55	—	%
Load Mismatch ($V_{CC} = 36 \text{ Vdc}$, $P_{out} = 120 \text{ W Peak}$, $f = 1215 \text{ MHz}$, VSWR = 3:1 All Phase Angles)	ψ	No Degradation in Output Power			

MRF10120

Microwave Long Pulse Power Silicon NPN Transistor
120W (peak), 960–1215MHz

M/A-COM Products
Released - Rev. 07.07

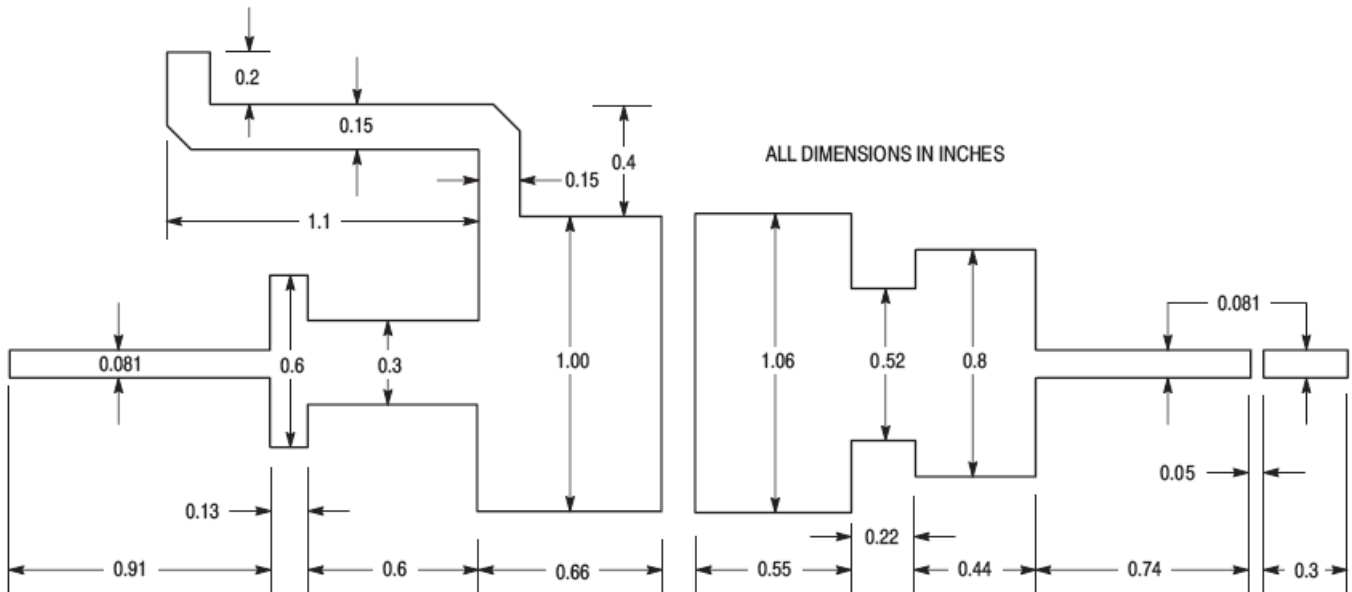
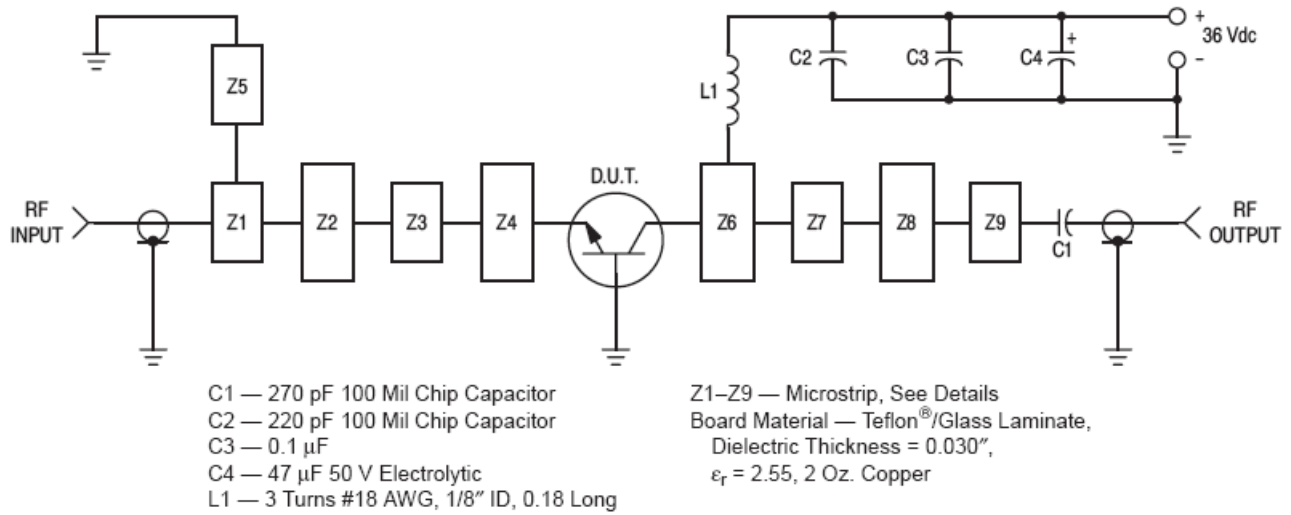


Figure 1. Test Circuit

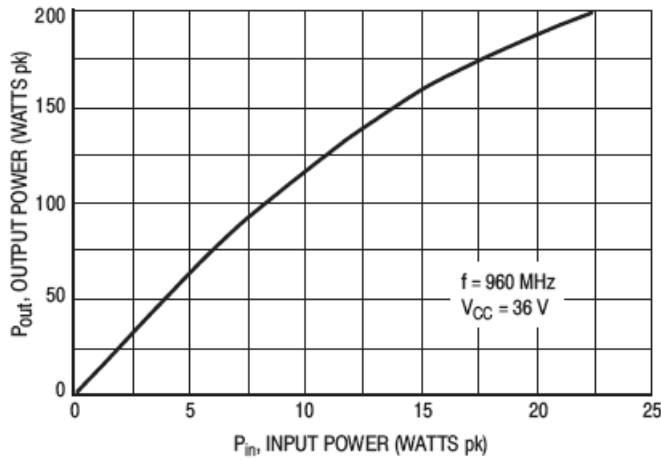


Figure 2. Output Power versus Input Power

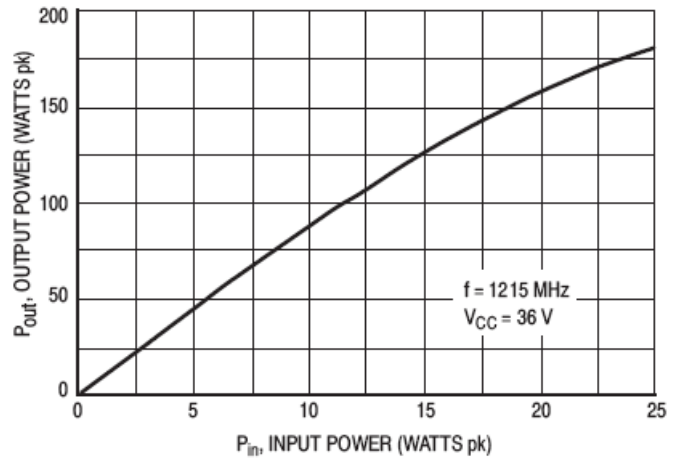


Figure 3. Output Power versus Input Power

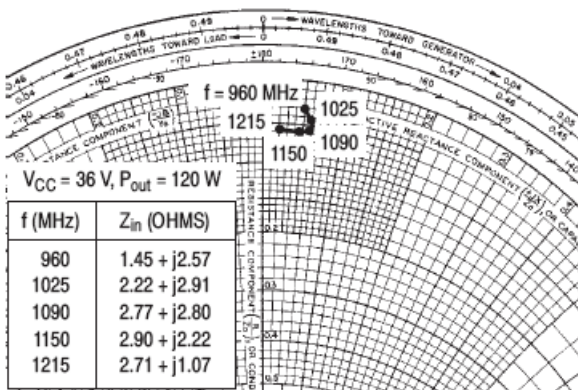
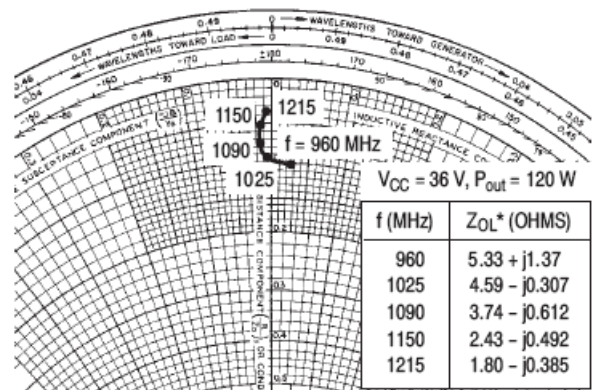


Figure 4. Series Equivalent Input Impedances



Z_{OL*} = Conjugate of the optimum load impedance into which the device operates at a given output power, voltage and frequency.

Figure 5. Series Equivalent Output Impedance

PACKAGE DIMENSIONS

