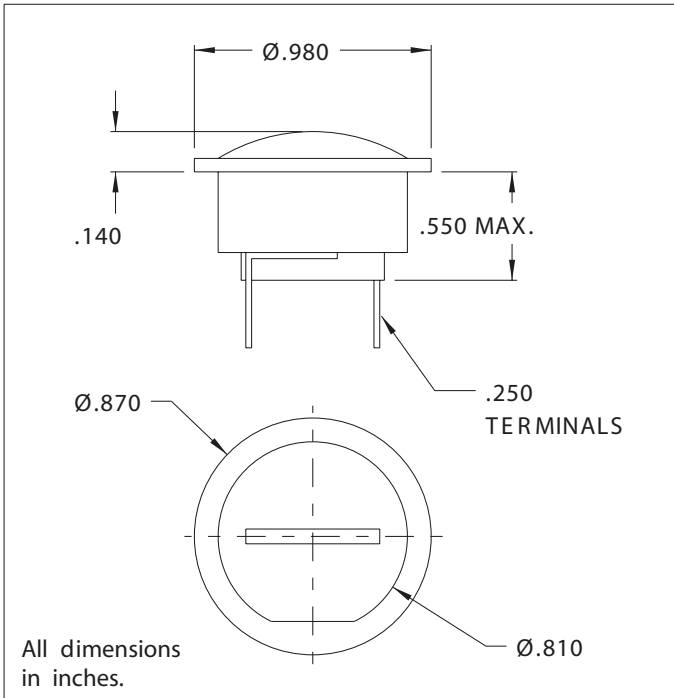


2620QK and 2622QK Series Non-Relampable Neon Indicator Light

Description and Features



Mounting: Supplied with speednut SN2089. Mounting hole pattern on page SP2.

Terminals: Quick-connect, tinned brass

Lens: Polycarbonate

Bezel: White nylon

Housing: White Nylon

Lens Color	Neon
	Model No. (105-125VAC)
Red	2620QK1
Amber	2620QK3
White	2620QK4
Green	2622QK5*
Lamp used	C2A+R resistor

*Incorporates G2B lamp and resistor
Underwriters Laboratories (UL) File No. E20356