

# LTC3789EUFD

## High Efficiency Compact Buck-Boost Converter

### DESCRIPTION

Demonstration circuit 1881A is a high efficiency synchronous buck-boost DC/DC converter with 6V to 36V input range. It can supply 2.5A maximum load current at 12V output. The demo board features the LTC<sup>®</sup>3789EUFD controller. The constant-frequency current mode architecture allows a phase-lockable frequency of up to 600kHz, while an optional output current feedback loop provides support for applications such as battery charging. With a wide input range, wide output range and seamless transfers between operation modes, the LTC3789 is ideal for automotive, telecom, distributed DC power systems and battery-powered applications. This board has a compact solution size with dual SO-8 MOSFETs, small inductor and capacitor footprints. The package of LTC3789EUFD is a small, low thermal impedance 4mm × 5mm 28-Lead QFN.

The light load operation mode of the converter is determined with the MODE/PLLIN pin. Use the JP2 jumper to select pulse skipping mode or forced continuous mode (CCM) operation. Switching frequency is preset at about 400kHz. The converter can also be externally synchronized through the MODE/PLLIN pin (PLLIN terminal on the board). To shut down the converter, one simple way is to force the RUN pin below 1.2V (JP1: OFF). The power good output (PGOOD terminal) is low when the output voltage is outside of the ±10% regulation window.

**Design files for this circuit board are available at <http://www.linear.com/demo>**

LT, LT, LTC, LTM, μModule, Linear Technology and the Linear logo are registered trademarks of Linear Technology Corporation. All other trademarks are the property of their respective owners.

### PERFORMANCE SUMMARY

Specifications are at  $T_A = 25^\circ\text{C}$

PARAMETER	CONDITION	VALUE
Input Voltage Range		6V to 36V
Output Voltage, $V_{OUT}$	$V_{IN} = 6\text{V to }36\text{V}$ , $I_{OUT} = 0\text{A to }2.5\text{A}$	12V ±2%
Maximum Output Current, $I_{OUT}$	$V_{IN} = 6\text{V to }36\text{V}$ , $V_{OUT} = 12\text{V}$	2.5A
Typical Output Ripple	$V_{IN} = 36\text{V}$ , $I_{OUT} = 12\text{A}$ (20MHz BW)	44mV <sub>P-P</sub>
Typical Efficiency	$V_{IN} = 12\text{V}$ , $V_{OUT} = 12\text{V}$ , $I_{OUT} = 2.5\text{A}$	97.2%
Typical Switching Frequency		400kHz

## QUICK START PROCEDURE

Demonstration circuit 1881A is easy to set up to evaluate the performance of the LTC3789. Refer to Figure 1 for the proper measurement equipment setup and follow the procedure below:

1. With power off, connect the input power supply to  $V_{IN}$  (6V to 36V) and GND (input return).
2. Connect the 12V output load between  $V_{OUT}$  and GND (Initial load: no load).
3. Connect the DVMs to the input and outputs.
4. Turn on the input power supply and check for the proper output voltages.  $V_{OUT}$  should be  $12V \pm 2\%$ .
5. Once the proper output voltages are established, adjust the loads within the operating range and observe the output voltage regulation, ripple voltage and other parameters.

Note: When measuring the output or input voltage ripple, do not use the long ground lead on the oscilloscope probe. See Figure 2 for the proper scope probe technique. Short, stiff leads need to be soldered to the (+) and (-) terminals of an output capacitor. The probe's ground ring needs to touch the (-) lead and the probe tip needs to touch the (+) lead.

Additional Notes:

1. Usually, the worst case efficiency at full load is at  $6V_{IN}$ . The board can deliver more output power at higher  $V_{IN}$ .
2. R2 is needed for additional/constant output current limit only.

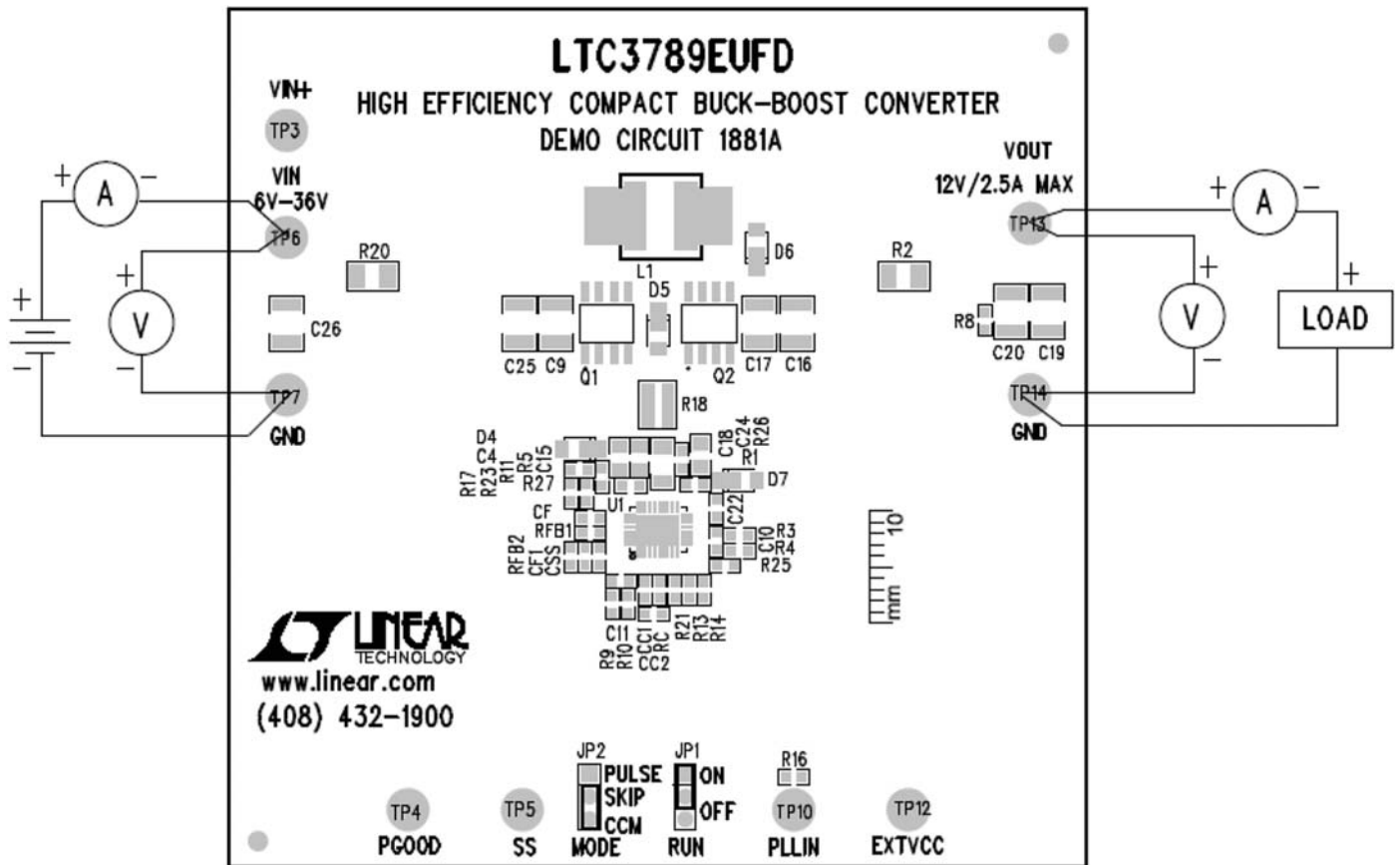


Figure 1. Proper Measurement Equipment Setup

## QUICK START PROCEDURE

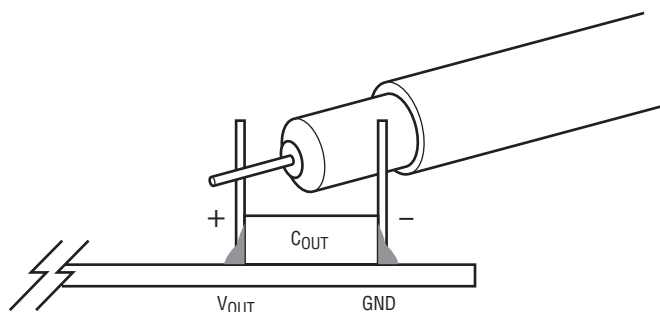


Figure 2. Measuring Output Voltage Ripple

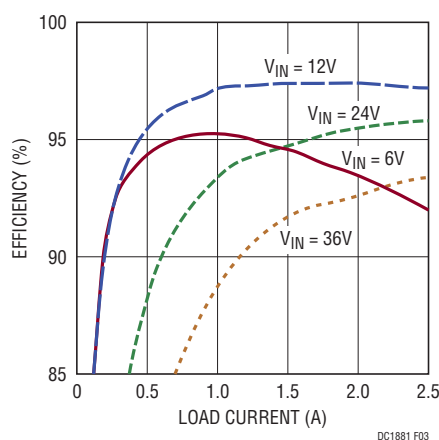


Figure 3. Efficiency vs Load Current ( $V_0 = 12V$ , CCM)

## PARTS LIST

ITEM	QTY	REFERENCE	PART DESCRIPTION	MANUFACTURER/PART NUMBER
<b>Required Circuit Components</b>				
1	1	CC1	CAP., C0G, 100pF, 50V, 10% 0603	AVX, 06035A101KAT2A
2	1	CC2	CAP., X7R, 0.01 $\mu$ F, 50V, 10% 0603	AVX, 06035C103KAT2A
3	1	CSS	CAP., X7R, 0.1 $\mu$ F, 50V, 10% 0603	AVX, 06035C104KAT2A
4	1	C15	CAP., X7R, 1 $\mu$ F, 50V, 10% 0805	AVX, 08055C105K
5	2	C7, C8	CAP., X7R, 0.1 $\mu$ F, 50V, 10% 0603	AVX, 06035C104K
6	1	CF	CAP., X7R, 22pF, 50V, 10% 0603	AVX, 06035C220K
7	1	C11	CAP., NPO, 68pF, 50V, 10% 0603	AVX, 06035A680KAT2A
8	1	C10	CAP., X5R, 2.2 $\mu$ F, 16V, 10% 0603	TDK, C1608X5R1C225K
9	1	C24	CAP., X5R, 1 $\mu$ F, 16V, 10% 0603	AVX, 0603YD105KAT2A
10	4	C16, C17, C19, C20	CAP., X7R, 22 $\mu$ F, 16V, 20% 1210	AVX, 1210YC226MAT2A
11	2	C4, C22	CAP., X7R, 0.22 $\mu$ F, 16V, 20% 0603	AVX, 0603YC224MAT2A

# DEMO MANUAL DC1881A

## PARTS LIST

ITEM	QTY	REFERENCE	PART DESCRIPTION	MANUFACTURER/PART NUMBER
12	3	C9, C25, C26	CAP., X7R, 10 $\mu$ F, 50V, 20% 1210	TDK, C3225X7S1H106M
13	1	C18	CAP., X5R, 10 $\mu$ F, 6.3V, 20% 1206	AVX, 12066D106MAT2A
14	4	D4-D7	SCHOTTKY REC., DFSL160, POWER DI-123	DIODE INC., DFSL160
15	1	D8	ZENER DIODE, 5.1V, BZX84C5V1, SOT23	DIODES INC., BZX84C5V1-7-F
16	1	L1	INDUCTOR, 5.6 $\mu$ H	COILCRAFT, XAL7070-562ME
17	2	Q1, Q2	DUAL N-CHANNEL MOSFET, SO-8	VISHAY, Si4288DY-T1-E3
18	1	RC	RES., CHIP, 13k, 1/10W, 1% 0603	VISHAY, CRCW060313K0FKEA
19	1	RFB1	RES., CHIP, 113k, 1/10W, 1% 0603	YAGEO, RC0603FR-07113KL
20	1	RFB2	RES., CHIP, 8.06k, 1/10W, 1% 0603	YAGEO, RC0603FR-078K06L
21	1	R18	SENSOR RES., 0.015 $\Omega$ , 1W, 1%, 2512	THIN FILM TECH., RL3720WT-R015-F
22	1	R2	SENSOR RES., 0.015 $\Omega$ , .25W, 1%, 1206	VISHAY, WSL1206R0150FEA
23	6	R3, R4, R9, R10, R13, R14	RES., CHIP, 100 $\Omega$ , 1/10W, 1% 0603	YAGEO, RC0603FR-07100RL
24	1	R7	RES., CHIP, 100k, 1/10W, 1% 0603	YAGEO, RC0603FR-07100KL
25	1	R8	RES., CHIP, 10 $\Omega$ , 1/10W, 5% 0603	YAGEO, RC0603JR-0710RL
26	1	R26	RES., CHIP, 10 $\Omega$ 1/8W, 5% 0805	YAGEO, RC0805JR-0710RL
27	1	R5	RES., CHIP, 10 $\Omega$ 1/8W, 5% 0805	YAGEO, RC0805JR-0710RL
28	6	R1, R11, R17, R23, R25, R27	RES., CHIP, 0 $\Omega$ , 1/10W, 1% 0603	YAGEO, RC0603FR-070RL
29	1	R20	0 $\Omega$ JUMPER, 1/4W, 1206	IRC
30	1	R16	RES., CHIP, 1k, 1/10W, 1% 0603	YAGEO, RC0603FR-071KL
31	1	R24	RES., CHIP, 10k, 1/10W, 1% 0603	YAGEO, RC0603FR-0710KL
32	1	R21	RES., CHIP, 121k, 1/10W, 1% 0603	YAGEO, RC0603FR-07121KL
33	1	R30	RES., CHIP, 41.2k, 1/10W, 1% 0603	YAGEO, RC0603FR-0741K2L
34	1	R31	RES., CHIP, 12.1k, 1/10W, 1% 0603	YAGEO, RC0603FR-0712K1L
35	1	U1	I.C., VOLT. REG.	LINEAR TECH. CORP. LTC3789EUFD

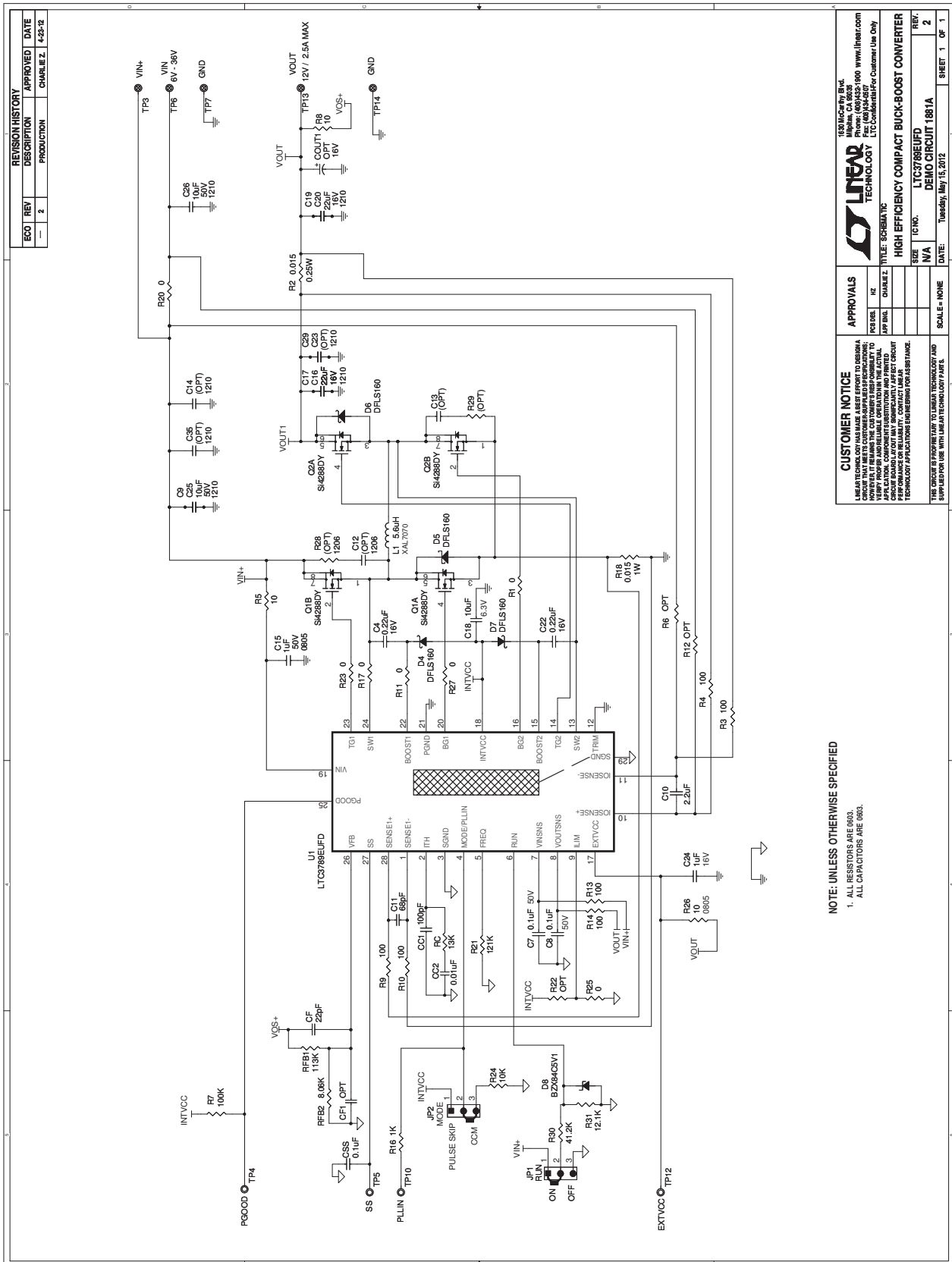
### Additional Demo Board Circuit Components

1	0	CF1 (OPT)	CAP., 0603	
2	0	COU1 (OPT)	CAP., OS-CON, 330 $\mu$ F, 16V, 20%	SANYO, 16SEP330M+T
3	0	C14, C23, C29 C35 (OPT)	CAP., 1210	
4	0	C12, C13 (OPT)	CAP., 1206	
5	0	R6, R12, R22 (OPT)	RES., 0603	
6	0	R28, R29 (OPT)	RES., CHIP, 1206	

### Hardware: For Demo Board Only

1	2	JP1, JP2	3-PIN 0.079" SINGLE ROW HEADER	SAMTEC, TMM103-02-L-S
2	2	XJP1, XJP2B	SHUNT, 0.079" CENTER	SAMTEC, 2SN-BK-G
3	9	TP3-TP7, TP10-TP14	TESTPOINT, TURRET, 0.094" pbf	MILL-MAX, 2501-2-00-80-00-00-07-0
4	4	(STAND-OFF)	STAND-OFF, NYLON 0.50"	KEYSTONE, 8833 (SNAP ON)

## SCHEMATIC DIAGRAM



REVISION HISTORY				
ECO	REV	DESCRIPTION	APPROVED	DATE
—	2	PRODUCTION	CHARLES Z.	4-23-12

APPROVALS		TITLE: SCHEMATIC	
DESIGNER	DATE	SIZE	IC NO.
CHARLES Z.		N/A	LTC3789EUFDC
			DEMO CIRCUIT 1881A
			REVISION
			1 OF 1

SCALE = NONE

**CUSTOMER NOTICE**  
 THIS CIRCUIT IS PROPRIETARY TO LINEAR TECHNOLOGY AND IS NOT TO BE REPRODUCED OR TRANSMITTED IN ANY FORM OR BY ANY MEANS, ELECTRONIC OR MECHANICAL, INCLUDING PHOTOCOPYING, RECORDING, OR BY ANY INFORMATION STORAGE AND RETRIEVAL SYSTEM. ANY REUSE OR MODIFICATION OF THIS CIRCUIT WITHOUT THE WRITTEN PERMISSION OF LINEAR TECHNOLOGY IS STRICTLY PROHIBITED. CONTACT LINEAR TECHNOLOGY APPLICATIONS ENGINEERING FOR ASSISTANCE.

**NOTE: UNLESS OTHERWISE SPECIFIED**  
 1. ALL RESISTORS ARE 0603.  
 ALL CAPACITORS ARE 0805.



Information furnished by Linear Technology Corporation is believed to be accurate and reliable. However, no responsibility is assumed for its use. Linear Technology Corporation makes no representation that the interconnection of its circuits as described herein will not infringe on existing patent rights.

# DEMO MANUAL DC1881A

---

## DEMONSTRATION BOARD IMPORTANT NOTICE

Linear Technology Corporation (LTC) provides the enclosed product(s) under the following **AS IS** conditions:

This demonstration board (DEMO BOARD) kit being sold or provided by Linear Technology is intended for use for **ENGINEERING DEVELOPMENT OR EVALUATION PURPOSES ONLY** and is not provided by LTC for commercial use. As such, the DEMO BOARD herein may not be complete in terms of required design-, marketing-, and/or manufacturing-related protective considerations, including but not limited to product safety measures typically found in finished commercial goods. As a prototype, this product does not fall within the scope of the European Union directive on electromagnetic compatibility and therefore may or may not meet the technical requirements of the directive, or other regulations.

If this evaluation kit does not meet the specifications recited in the DEMO BOARD manual the kit may be returned within 30 days from the date of delivery for a full refund. **THE FOREGOING WARRANTY IS THE EXCLUSIVE WARRANTY MADE BY THE SELLER TO BUYER AND IS IN LIEU OF ALL OTHER WARRANTIES, EXPRESSED, IMPLIED, OR STATUTORY, INCLUDING ANY WARRANTY OF MERCHANTABILITY OR FITNESS FOR ANY PARTICULAR PURPOSE. EXCEPT TO THE EXTENT OF THIS INDEMNITY, NEITHER PARTY SHALL BE LIABLE TO THE OTHER FOR ANY INDIRECT, SPECIAL, INCIDENTAL, OR CONSEQUENTIAL DAMAGES.**

The user assumes all responsibility and liability for proper and safe handling of the goods. Further, the user releases LTC from all claims arising from the handling or use of the goods. Due to the open construction of the product, it is the user's responsibility to take any and all appropriate precautions with regard to electrostatic discharge. Also be aware that the products herein may not be regulatory compliant or agency certified (FCC, UL, CE, etc.).

No License is granted under any patent right or other intellectual property whatsoever. **LTC assumes no liability for applications assistance, customer product design, software performance, or infringement of patents or any other intellectual property rights of any kind.**

LTC currently services a variety of customers for products around the world, and therefore this transaction **is not exclusive**.

**Please read the DEMO BOARD manual prior to handling the product.** Persons handling this product must have electronics training and observe good laboratory practice standards. **Common sense is encouraged.**

This notice contains important safety information about temperatures and voltages. For further safety concerns, please contact a LTC application engineer.

Mailing Address:

Linear Technology  
1630 McCarthy Blvd.  
Milpitas, CA 95035

Copyright © 2004, Linear Technology Corporation