



# MFi Accessory Digital Audio Bridge CP2614 Data Short

The CP2614 MFi Accessory Digital Audio Bridge chip is designed to enable rapid development of accessories for Apple® iOS devices.

CP2614 provides built-in support for the Apple Made for iPod/iPhone/iPad ("MFi") protocol and the Lightning™ connector. It provides turnkey features including Digital Audio streaming and communication with iOS apps. No firmware development is required to use CP2614 – all customization options are selected using a simple GUI configuration tool. These configuration options are then programmed directly into flash memory included in the CP2614. By eliminating the need to write a ground-up MFi protocol stack, the CP2614 greatly simplifies development of iOS accessories and shortens time to market.

CP2614 is ideally suited for audio accessories and accessories that communicate with a companion iOS application.

The CP2614 supports the following Apple iOS devices with Lightning connector:

- iPhone® 5 and later
- iPod touch® (5th generation)
- iPad® (4th generation) and later
- iPad Air® (all versions)
- iPad mini™ (all versions)

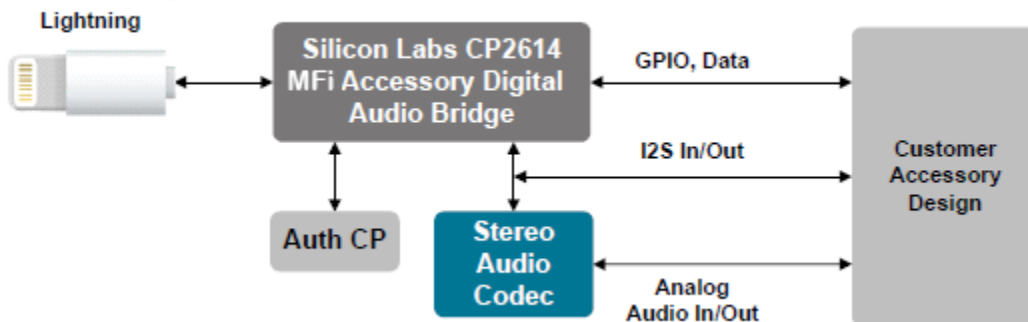
## KEY FEATURES

- Turnkey MFi Lightning-to-I2S digital audio bridge chip – no firmware development required
- 24-bit uni-directional or 16-bit bi-directional digital audio streaming
- Built-in communications channel allows your iOS app to control and interact with accessory hardware
- Optimized for low-power in both active and idle modes
- High integration reduces BOM cost and PCB footprint - no external crystal or EEPROM required
- GPIO can be configured for button input, LED output and accessed remotely from an iOS app or used to control audio playback
- Receive "Now Playing" metadata
- General purpose serial interface available for custom data flow

**Package:** RoHS-compliant 32-pin QFN (5 x 5mm)

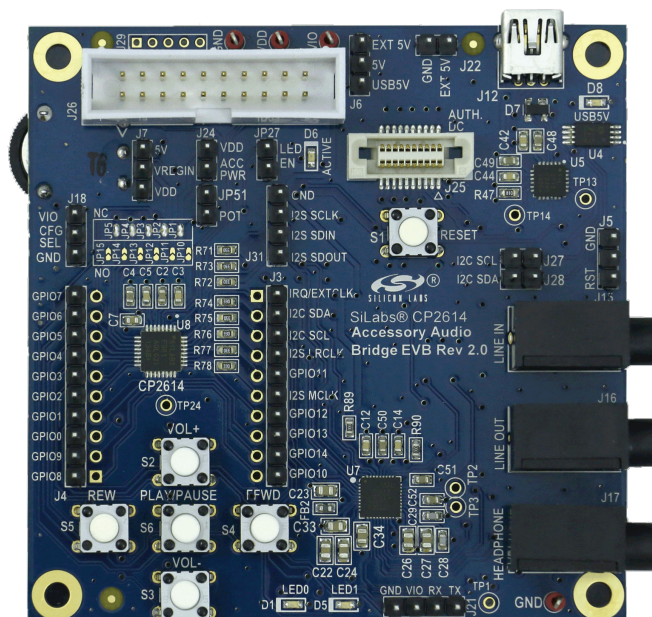
**Ordering Part Number:** CP2614-A02-GM

**Temperature Range:** -40 to +85 °C



## CP2614 MFi Accessory Digital Audio Evaluation Kit

- Includes everything needed to start accessory development
- Supports all CP2614 chip features
- Powered from Lightning connector
- Availability: contact your local Silicon Labs distributor or sales representative, or available for purchase exclusively through the Apple MFi Procurement Portal at [mfi.avnet.com](http://mfi.avnet.com)
- Ordering Part Number: MFI-SL-CP2614-EK
- Price: \$59



## CP2614 iOS Demonstration App



- Works in conjunction with the CP2614 MFi Accessory Digital Audio Evaluation Kit
- Command and control LEDs
- Detect button presses and potentiometer adjustments
- Display board information and firmware revision
- Full source code available
- Optimized for both iPhone® and iPad®
- Available from the App Store<sup>SM</sup>. Search for “CP2614 Accessory Kit Console”