

# Isolation Modules for Maxim™ MAX13253 1A Push-Pull Driver

8 pin SMD 1A Isolation Modules



## Product Features:

- The TGM-H2xxV8LF and TGMR-H5xxV8LF series of transformers have been developed specifically for the Maxim MAX13253, low EMI, push-pull driver. These high efficiency, extended temp range transformers have been designed for up to 1A input.
- UL60950, EN60950 and DEMKO recognized.
- Tested and approved by Maxim when used with the MAX13253.
- Operating Temp: -40 to +85°C

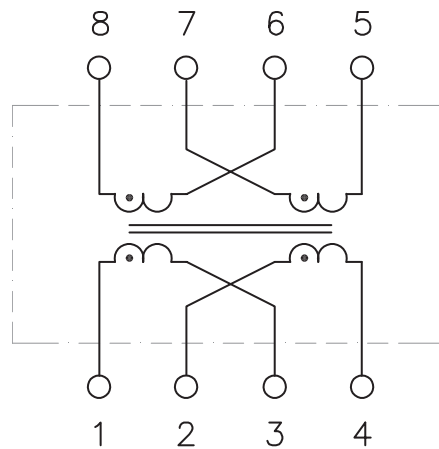
Part Number	Turns Ratio ±3% PRI : SEC	PRI OCL (μH Nom.)	PRI DCR (Ω Max.)	Cw/w (pF Max.)	ET Constant (V-μs Min.)	Isolation Voltage
TGM-H240V8LF	1:1:1.3:1.3	780	150mΩ	23	25V-μs	1,500Vrms
TGM-H260V8LF	1:1:2:2	780	150mΩ	25	25V-μs	1,500Vrms
TGM-H280V8LF	1:1:2.67:2.67	780	150mΩ	25	25V-μs	1,500Vrms
TGMR-H540V8LF	1:1:1.375:1.375	600	180mΩ	15	25V-μs	4,500Vrms
TGMR-H560V8LF	1:1:2:2	600	180mΩ	17	25V-μs	4,500Vrms
TGMR-H580V8LF	1:1:2.67:2.67	320	150mΩ	12	18 V-μs	4,500Vrms

## Notes:

1. Pri Pins: 1-4 (connect 2-3)
2. ET Constant over Temp Range: Measured at P1-4 with 2-3 connected.
3. For more information, pertaining to the MAX13253 please contact Maxim at 1-888-629-4642 or visit [www.maximintegrated.com/en/products/power/isolated-power/MAX13253.html](http://www.maximintegrated.com/en/products/power/isolated-power/MAX13253.html).
4. Maxim is a reg. trademark of Maxim Integrated Products.
5. Please contact factory for specific datasheets and additional turns ratios.

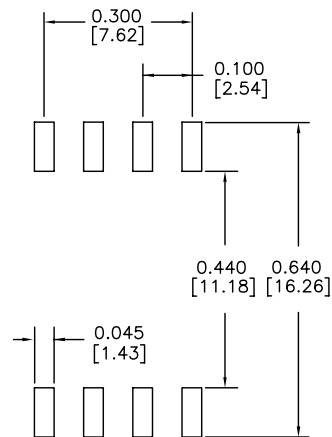
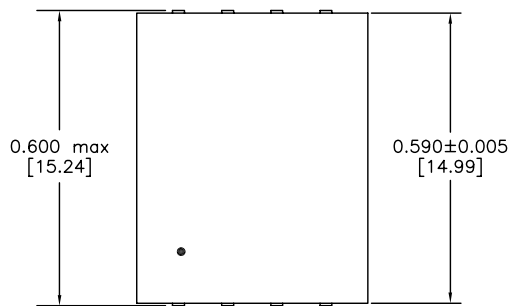
# 8 Pin SMD DC/DC Converter Isolation Modules

## Schematic

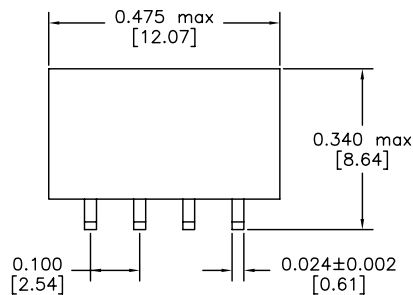


## Mechanical

Dimensions: inches [mm]  
Co-Planarity: 0.004 [0.10]



Recommended  
Solder Pad Dimensions



2880 Lakeside Drive #116  
Santa Clara, CA 95054  
(650) 903-3800  
[www.haloelectronics.com](http://www.haloelectronics.com)

HALO® Electronics is a leading supplier of high quality communication magnetics including signal transformers, filters, CMR chokes, PoE power transformers, DC/DC converters, and integrated Ethernet connectors. HALO's leading edge technology solutions are manufactured in ISO9001 and ISO14001 factories offering high quality products at a competitive price.