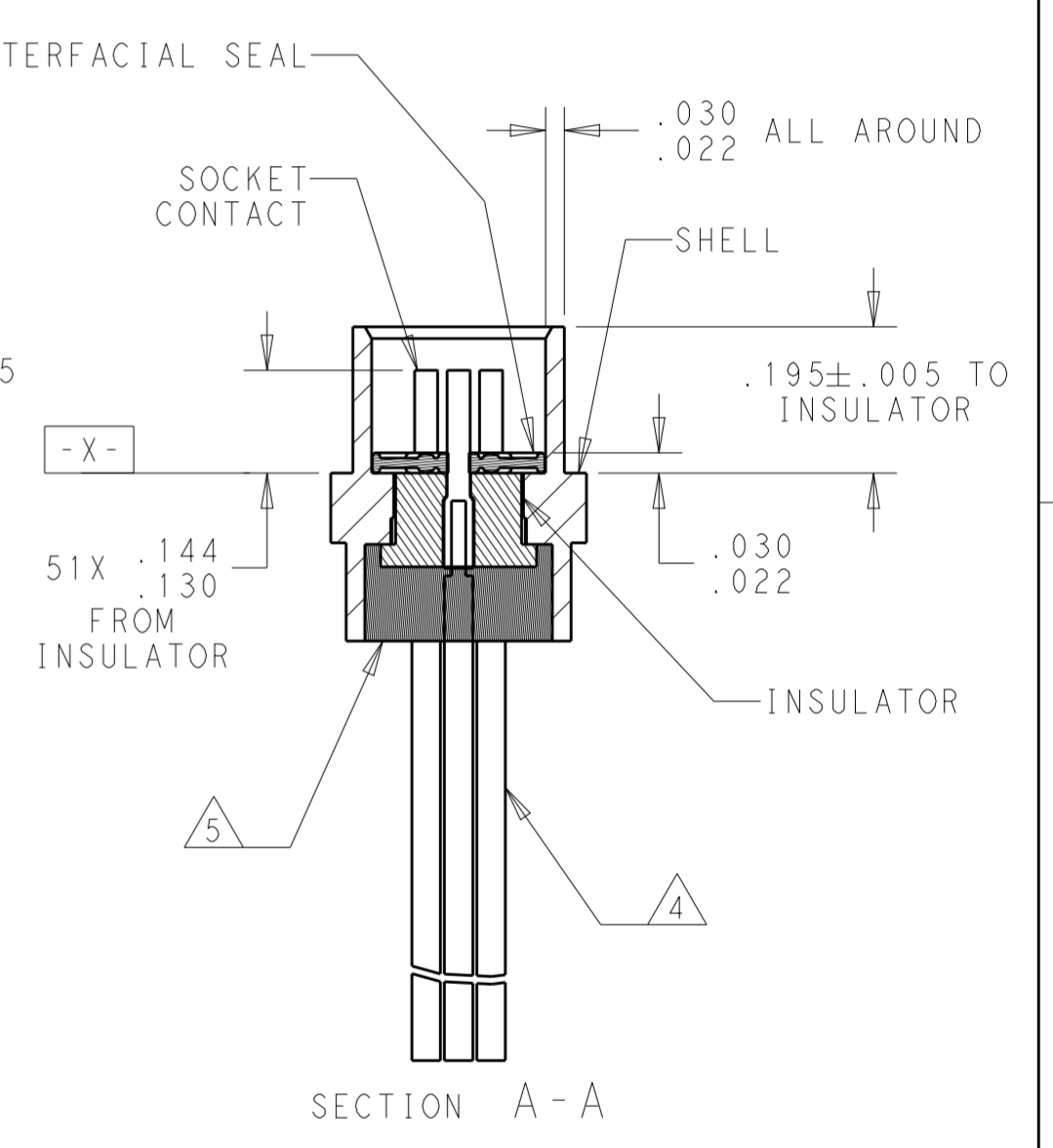
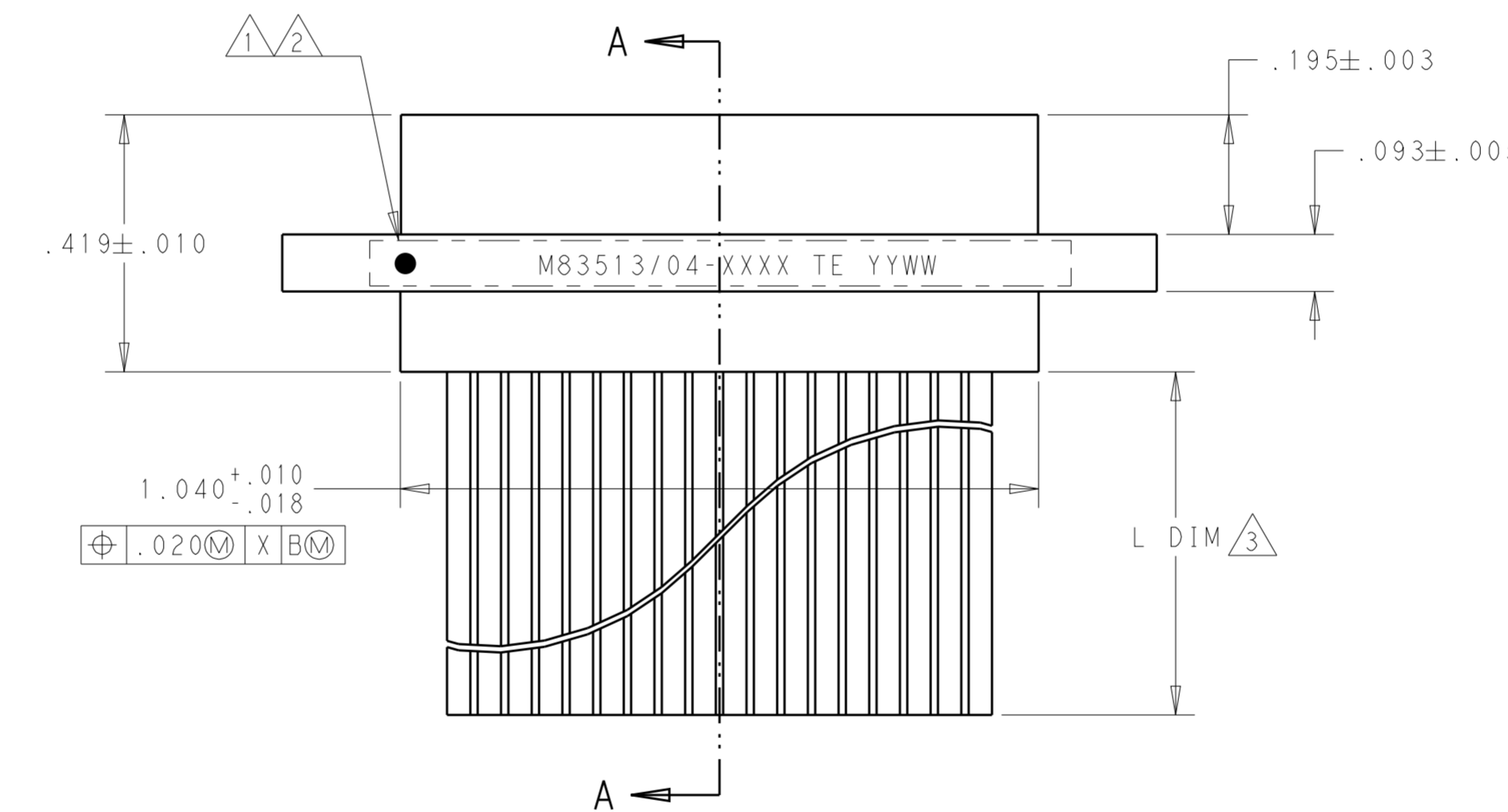
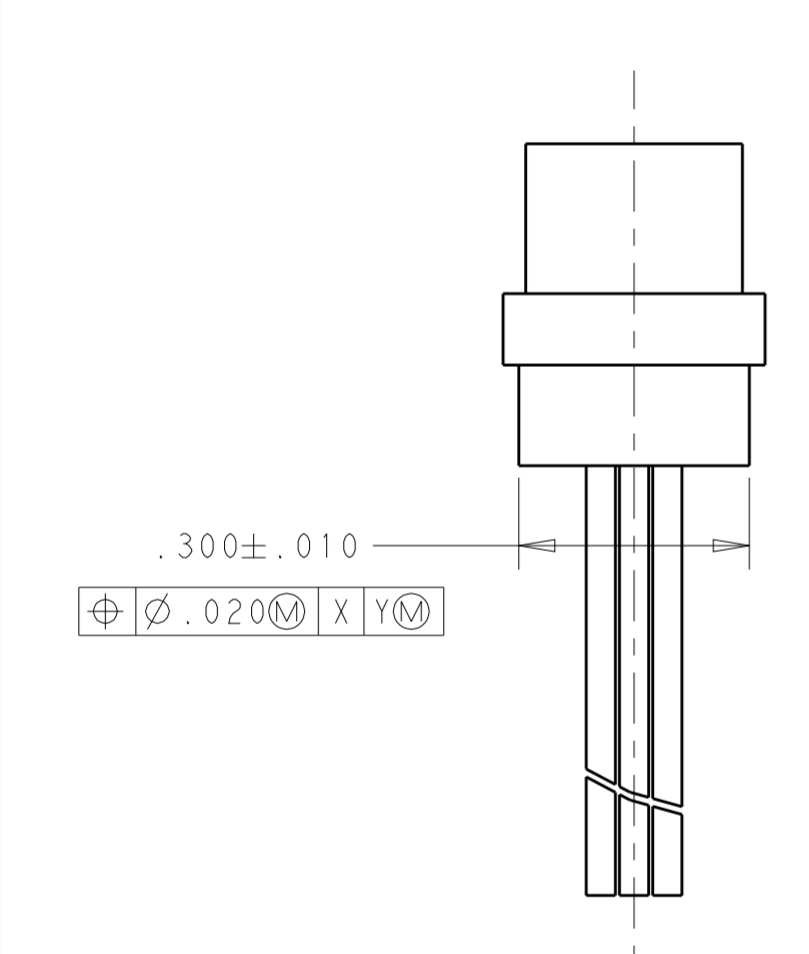
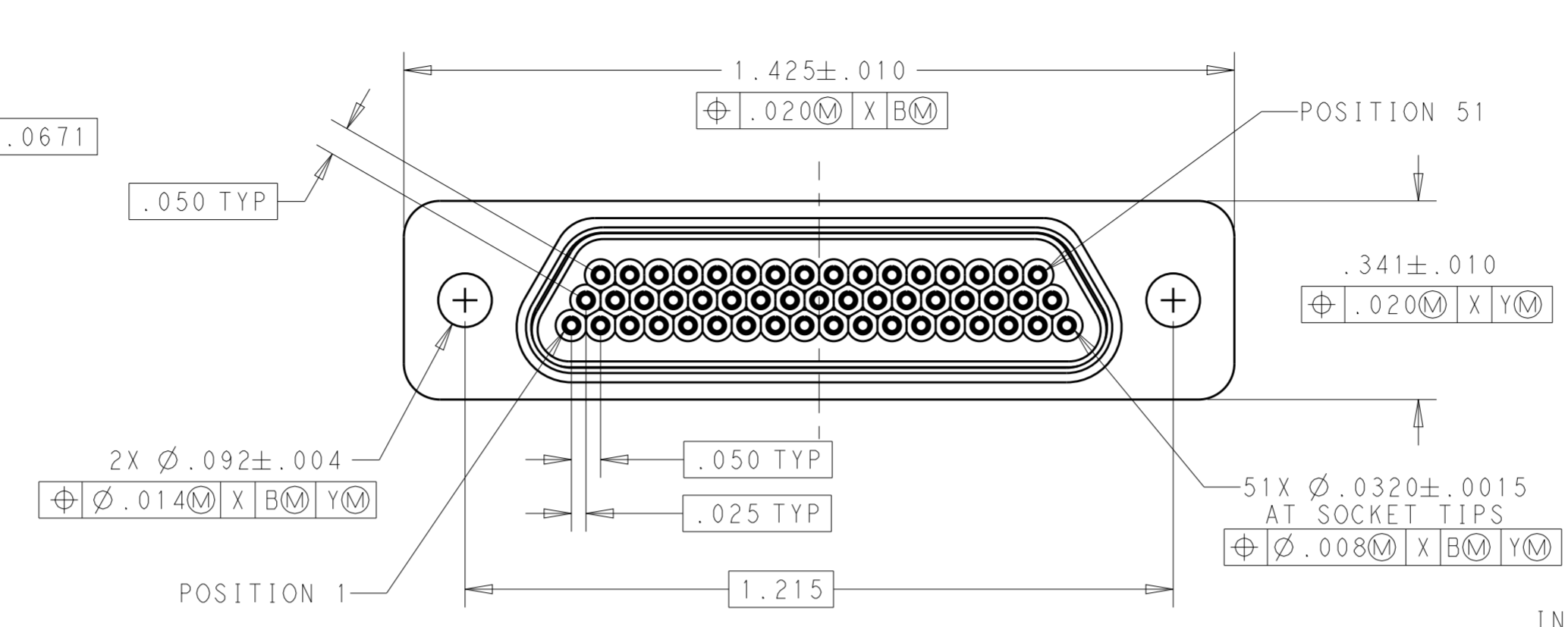
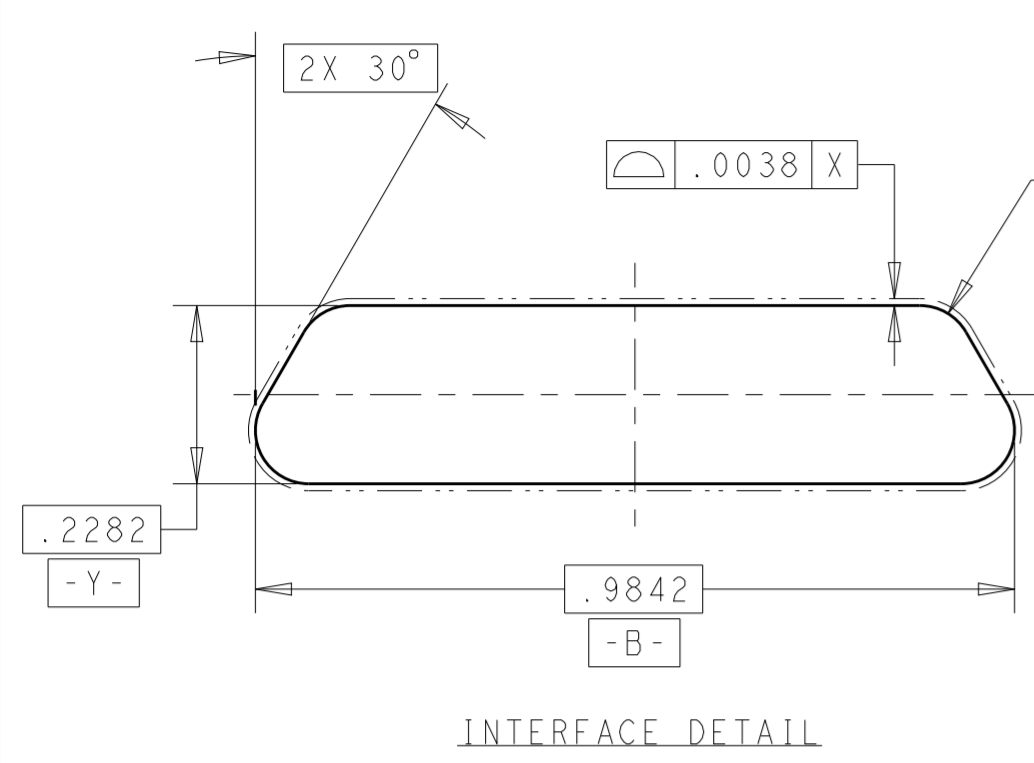


THIS DRAWING IS UNPUBLISHED. RELEASED FOR PUBLICATION 20
 © COPYRIGHT 20 BY - ALL RIGHTS RESERVED.

REVISIONS				
P	LTR	DESCRIPTION	DATE	APVD
B		UPDATE PER ECO-16-006602	04MAY2016	DS CS



- 1 CONNECTOR SHALL BE MARKED IN ACCORDANCE WITH METHOD 1 OF MIL-STD-1285. MARKING SHALL CONTAIN THE MILITARY PIN, CAGE CODE (OR TE), AND DATE CODE. EXAMPLE: M83513/04-XXXX TE YYWW (WHERE XXXX IS PART OF THE PIN SHOWN IN THE "MIL-DTL-83513" COLUMN OF THE PART NUMBER TABLE, AND YYWW IS THE DATE CODE). TEXT HEIGHT SHALL BE .035 INCH MINIMUM.
- 2 POSITION 1 SHALL BE INDICATED BY AN IDENTIFIABLE MARK, LOCATED APPROXIMATELY AS SHOWN ON THE POSITION 1 SIDE OF THE CONNECTOR FLANGE. THIS MARK SHALL BE INCLUDED AS PART OF THE PART MARKING INFORMATION.
- 3 LENGTH IS SHOWN IN THE "L DIM" COLUMN OF THE PART NUMBER TABLE. LENGTH TOLERANCE IS +1.0/-0.0 FOR INSULATED WIRE TERMINATIONS, AND +0.20/-0.00 FOR UNINSULATED WIRE TERMINATIONS.
- 4 INSULATED WIRE IS SHOWN FOR REFERENCE ONLY. PART MAY BE TERMINATED WITH INSULATED OR UNINSULATED WIRE ACCORDING TO THE PART NUMBER TABLE.
- 5 EPOXY ENCAPSULATION. EPOXY MAY WICK .125 INCH MAX FOR INSULATED WIRE, AND .050 INCH MAX FOR UNINSULATED WIRE.
- 6 ALL DIMENSIONS AND REQUIREMENTS ARE PER MIL-DTL-83513/4.


THIS DRAWING IS A CONTROLLED DOCUMENT.		DWN B ROMANCHUK	03SEP2008	TE Connectivity
DIMENSIONS: IN		CHK M STORRY	03SEP2008	
TOLERANCES UNLESS OTHERWISE SPECIFIED:		APVD		NAME
0 PLC	±	PRODUCT SPEC		RECEPTACLE ASSEMBLY
1 PLC	±	APPLICATION SPEC		MICRO-D PER MIL-DTL 83513/04
2 PLC	±.010	WEIGHT		MCKS SERIES, 51 POSITION
3 PLC	±.005	CUSTOMER DRAWING		SIZE CAGE CODE DRAWING NO
4 PLC	±	SCALE 4:1 SHEET 1 OF 2 REV B		A298278 C-1532177
ANGLES	±1°			RESTRICTED TO
FINISH	-			-

THIS DRAWING IS UNPUBLISHED. RELEASED FOR PUBLICATION 20
 © COPYRIGHT 20 BY - ALL RIGHTS RESERVED.

REVISIONS				
P	LTR	DESCRIPTION	DATE	APVD
-		SEE SHEET 1	-	-

TE PART NUMBER	L DIM	MIL-DTL-83513 PIN	MICRODOT P/N	MCKS DESCRIPTION
1532177-1	18	M83513/04-G01N	094-6726-0001	MCKS-N1-B-51S6G1-18.0
1532177-2	36	M83513/04-G02N	094-6726-0002	MCKS-N1-B-51S6G1-36.0
1532177-3	18	M83513/04-G03N	094-6726-0003	MCKS-N1-B-51S6G9-18.0
1532177-4	36	M83513/04-G04N	094-6726-0004	MCKS-N1-B-51S6G9-36.0
1532177-5	18	M83513/04-G09N	094-6726-0009	MCKS-N1-B-51S6Q1-18.0
1532177-6	36	M83513/04-G10N	094-6726-0010	MCKS-N1-B-51S6Q1-36.0
1532177-7	18	M83513/04-G11N	094-6726-0011	MCKS-N1-B-51S6Q9-18.0
1532177-8	36	M83513/04-G12N	094-6726-0012	MCKS-N1-B-51S6Q9-36.0
1532177-9	72	M83513/04-G13N	094-6726-0013	MCKS-N1-B-51S6G1-72.0
1-1532177-0	72	M83513/04-G14N	094-6726-0014	MCKS-N1-B-51S6G9-72.0
1-1532177-1	72	M83513/04-G15N	094-6726-0015	MCKS-N1-B-51S6Q1-72.0
1-1532177-2	72	M83513/04-G16N	094-6726-0016	MCKS-N1-B-51S6Q9-72.0
1-1532177-3	0.5	M83513/04-G05N	094-6726-0005	MCKS-N1-B-51S5L4-0.5
1-1532177-4	1.0	M83513/04-G06N	094-6726-0006	MCKS-N1-B-51S5L4-1.0
1-1532177-5	0.5	M83513/04-G07N	094-6726-0007	MCKS-N1-B-51S5L5-0.5
1-1532177-6	1.0	M83513/04-G08N	094-6726-0008	MCKS-N1-B-51S5L5-1.0
1-1532177-7	18	M83513/04-G01C	094-6736-0001	MCKS-C2-B-51S6G1-18.0
1-1532177-8	36	M83513/04-G02C	094-6736-0002	MCKS-C2-B-51S6G1-36.0
1-1532177-9	18	M83513/04-G03C	094-6736-0003	MCKS-C2-B-51S6G9-18.0
2-1532177-0	36	M83513/04-G04C	094-6736-0004	MCKS-C2-B-51S6G9-36.0
2-1532177-1	0.5	M83513/04-G05C	094-6736-0005	MCKS-C2-B-51S5L4-0.5
2-1532177-2	1.0	M83513/04-G06C	094-6736-0006	MCKS-C2-B-51S5L4-1.0
2-1532177-3	0.5	M83513/04-G07C	094-6736-0007	MCKS-C2-B-51S5L5-0.5
2-1532177-4	1.0	M83513/04-G08C	094-6736-0008	MCKS-C2-B-51S5L5-1.0
2-1532177-5	18	M83513/04-G09C	094-6736-0009	MCKS-C2-B-51S6Q1-18.0
2-1532177-6	36	M83513/04-G10C	094-6736-0010	MCKS-C2-B-51S6Q1-36.0
2-1532177-7	18	M83513/04-G11C	094-6736-0011	MCKS-C2-B-51S6Q9-18.0
2-1532177-8	36	M83513/04-G12C	094-6736-0012	MCKS-C2-B-51S6Q9-36.0
2-1532177-9	72	M83513/04-G13C	094-6736-0013	MCKS-C2-B-51S6G1-72.0
3-1532177-0	72	M83513/04-G14C	094-6736-0014	MCKS-C2-B-51S6G9-72.0
3-1532177-1	72	M83513/04-G15C	094-6736-0015	MCKS-C2-B-51S6Q1-72.0
3-1532177-2	72	M83513/04-G16C	094-6736-0016	MCKS-C2-B-51S6Q9-72.0

TE PART NUMBER	L DIM	MIL-DTL-83513 PIN	MICRODOT P/N	MCKS DESCRIPTION
3-1532177-3	18	M83513/04-G01P	094-6746-0001	MCKS-P1-B-51S6G1-18.0
3-1532177-4	36	M83513/04-G02P	094-6746-0002	MCKS-P1-B-51S6G1-36.0
3-1532177-5	18	M83513/04-G03P	094-6746-0003	MCKS-P1-B-51S6G9-18.0
3-1532177-6	36	M83513/04-G04P	094-6746-0004	MCKS-P1-B-51S6G9-36.0
3-1532177-7	0.5	M83513/04-G05P	094-6746-0005	MCKS-P1-B-51S5L4-0.5
3-1532177-8	1.0	M83513/04-G06P	094-6746-0006	MCKS-P1-B-51S5L4-1.0
3-1532177-9	0.5	M83513/04-G07P	094-6746-0007	MCKS-P1-B-51S5L5-0.5
4-1532177-0	1.0	M83513/04-G08P	094-6746-0008	MCKS-P1-B-51S5L5-1.0
4-1532177-1	18	M83513/04-G09P	094-6746-0009	MCKS-P1-B-51S6Q1-18.0
4-1532177-2	36	M83513/04-G10P	094-6746-0010	MCKS-P1-B-51S6Q1-36.0
4-1532177-3	18	M83513/04-G11P	094-6746-0011	MCKS-P1-B-51S6Q9-18.0
4-1532177-4	36	M83513/04-G12P	094-6746-0012	MCKS-P1-B-51S6Q9-36.0
4-1532177-5	72	M83513/04-G13P	094-6746-0013	MCKS-P1-B-51S6G1-72.0
4-1532177-6	72	M83513/04-G14P	094-6746-0014	MCKS-P1-B-51S6G9-72.0
4-1532177-7	72	M83513/04-G15P	094-6746-0015	MCKS-P1-B-51S6Q1-72.0
4-1532177-8	72	M83513/04-G16P	094-6746-0016	MCKS-P1-B-51S6Q9-72.0

THIS DRAWING IS A CONTROLLED DOCUMENT.		DWN B ROMANCHUK	03SEP2008	 TE Connectivity	
DIMENSIONS: IN		CHK -	-		
TOLERANCES UNLESS OTHERWISE SPECIFIED:		APVD M. STORRY	03SEP2008	NAME RECEPTACLE ASSEMBLY	
0 PLC ± 1 PLC ± 2 PLC ±.010 3 PLC ±.005 4 PLC ± ANGLES ±1° FINISH -		PRODUCT SPEC -		MICRO-D PER MIL-DTL 83513/04	
MATERIAL SEE NOTES		APPLICATION SPEC -		MCKS SERIES, 51 POSITION	
		WEIGHT -		SIZE A2	CAGE CODE 98278
		CUSTOMER DRAWING		DRAWING NO C-1532177	RESTRICTED TO -
		SCALE 4:1		SHEET 2	OF 2
				REV B	