

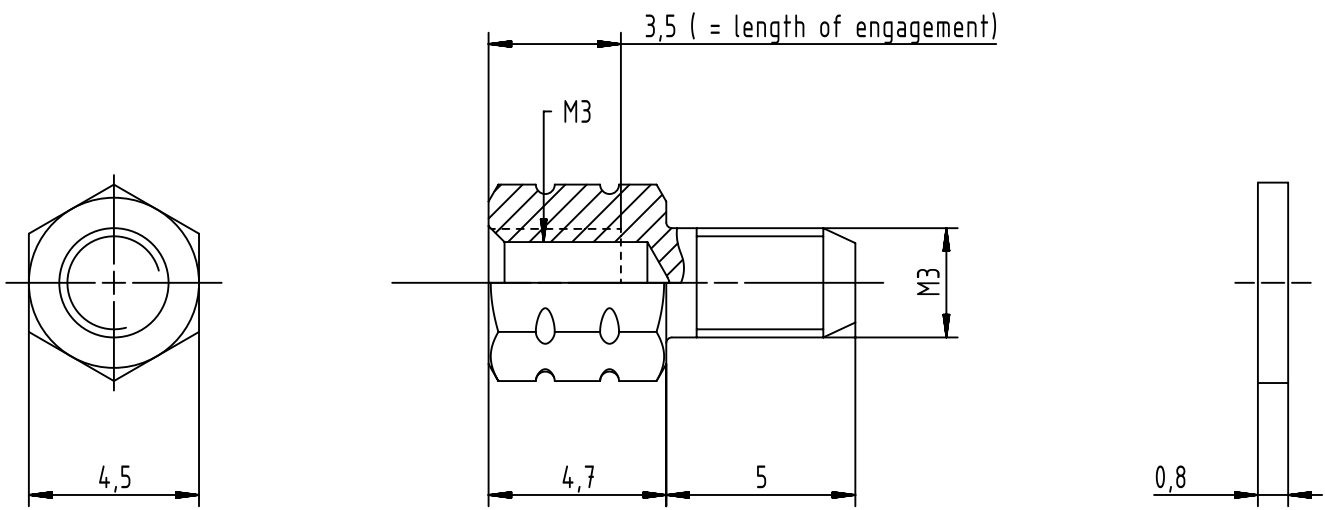
1 2 3 4 5 6

A


B

C

D



Material : Tin plated brass
 Packaging : Pair of screw locks and washers.
 2 pcs. are to be ordered per connector.

	All rights reserved Department EC PD - FR	All Dimensions in mm Original Size DIN A4	Scale 5:1	Free size tol.		Ref.
	HARTING Electronics GmbH D-32339 Espelkamp	Created by SONN	Inspected by DE VANSAY	Standardisation HOFFMANN	Date 2014-05-07	State Final Release
Title FEMALE SCREW LOCK M3						Doc-Key / ECM-Nr. 100576886/UGD/001/A 500000074577
			Type TB	Number 09670029006		Rev. A
						Page 1/1

Mouser Electronics

Authorized Distributor

Click to View Pricing, Inventory, Delivery & Lifecycle Information:

[HARTING:](#)

[09670029006](#)