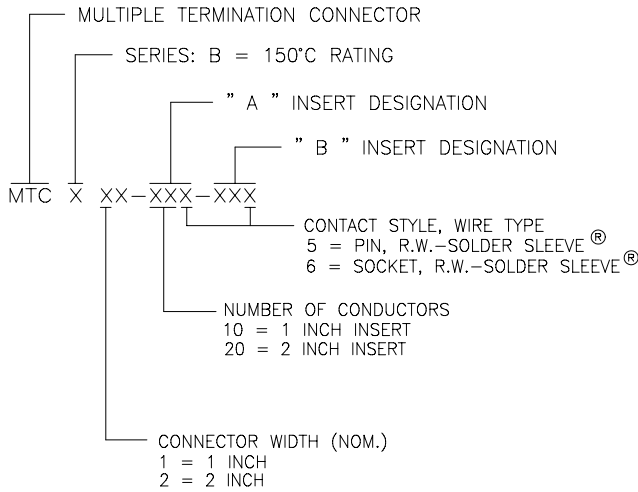


NOTES:  $\triangle$  PART NUMBER VARIABLE:



2. MATERIAL:

- A) PIN/SOCKET INSERT HIGH GRADE POLYARYLENE THERMOPLASTIC.
- B) PIN CONTACT COPPER ALLOY PER QQ-B-613 OR QQ-C-502.
- C) SOCKET CONTACT COPPER ALLOY PER QQ-B-750.
- D) INTERFACIAL SEAL SILICONE ELASTOMER PER ZZ-R-765.
- E) SolderSleeve® REFER TO RAYCHEM DRAWING CTA-0026 AND CTA-0027 FOR DETAILS.

3. FINISH:

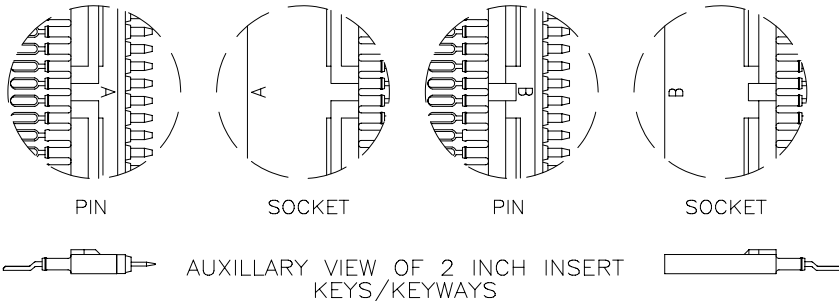
- A) PIN/SOCKET INSERT AS MOLDED.
- B) PIN/SOCKET CONTACT GOLD PLATE PER MIL-G-45204, CLASS 1.
- C) CONTACT TAIL SOLDER COATED PER ANSI/J-STD-006 (Sn95Sb05)

$\triangle$  NUMBER ONE POSITION IS MARKED AS SHOWN IN CONTRASTING COLOR ON INTERFACE.

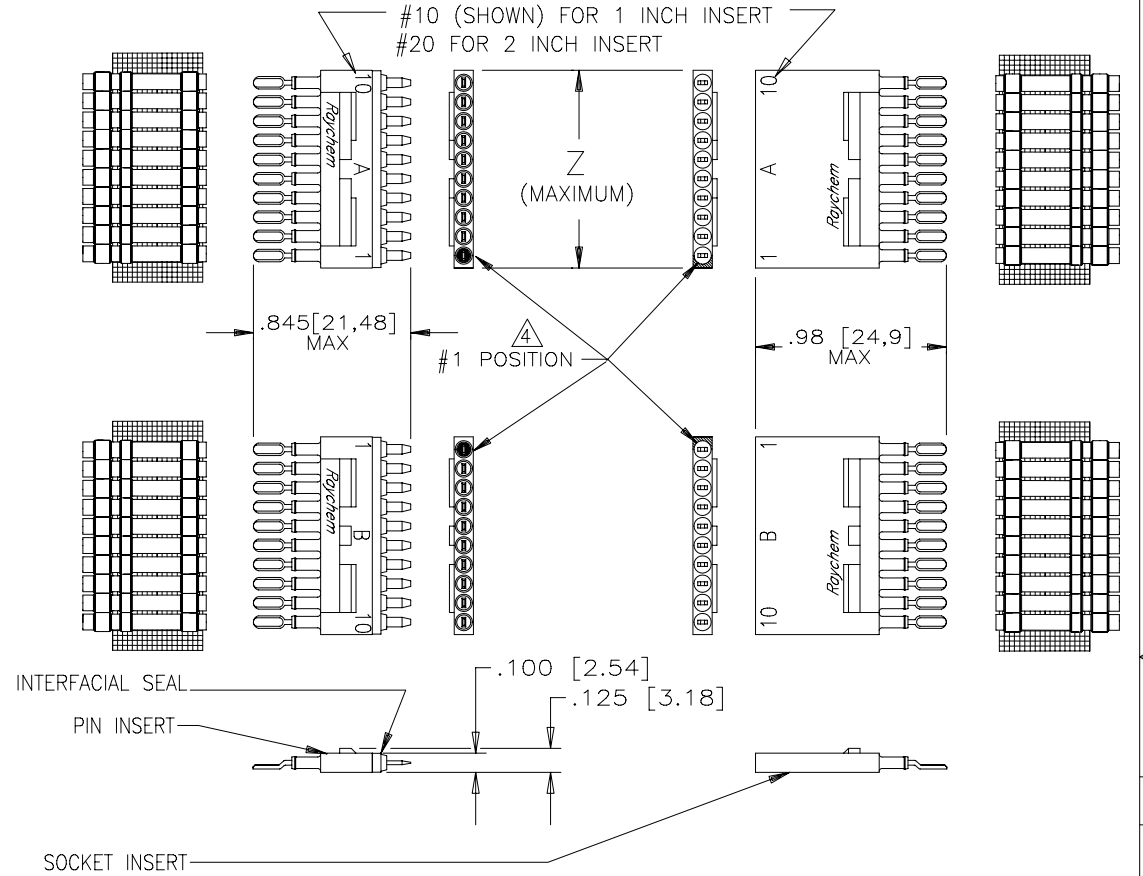
5. THIS INSERT MEETS THE REQUIREMENTS OF RAYCHEM SPECIFICATION C-6111.

**If this document is printed it becomes uncontrolled.  
 Check with the web for latest revision.**

| SIZE          |      | WEIGHT MAXIMUM |       | DIM. "Z"    |
|---------------|------|----------------|-------|-------------|
|               |      | LBS.           | GRAMS |             |
| 1 INCH INSERT | PIN  | 0.0047         | 2.132 | 1.05 [26,7] |
|               | SOC. | 0.0054         | 2.449 |             |
| 2 INCH INSERT | PIN  | 0.0090         | 4.082 | 2.05 [52,1] |
|               | SOC. | 0.0109         | 4.944 |             |



| REVISIONS |                                 |            |          |
|-----------|---------------------------------|------------|----------|
| LTR       | DESCRIPTION                     | DATE       | APPROVED |
| N/C       | INITIAL RELEASE PER ECN T-24356 | 3/2/2000   | M.HIGGY  |
| A         | REVISED PER DCR# T-28236        | 10-12-2000 | M.HIGGY  |



SPECIFICATION CONTROL DRAWING

|   |                        |                    |   |                 |
|---|------------------------|--------------------|---|-----------------|
| UNLESS OTHERWISE SPECIFIED DIMENSIONS ARE IN INCHES. METRIC DIMENSIONS ARE IN BRACKETS. | DRAWN                  | ZS.ORBAN 2/22/2000 | Raychem   |                 |
|   | CHECKED                |                    | TITLE   |                 |
| DECIMALS<br>.XXX ±.005<br>.XX ±   | APPROVED               |                    | KIT, A & B INSERT ASSEMBLY SOCKET AND PIN, 1" & 2" FOR ROUND WIRE, 150°C WITH SOLDER PAK® |                 |
|   | APPROVED               | M.HIGGY 3/2/2000   | SIZE  | CODE IDENT. NO. |
| ANGLES<br>.X ±  | CAD NAME               | T28236.DWG         | C   | 06090           |
| WEIGHT: MAXIMUM SEE TABULATION  | THIRD ANGLE PROJECTION |                    | DWG. NO.  | MTCBXX-XXX-XXX  |
|   |                        |                    | REV   | A               |
|   |                        |                    | DO NOT SCALE THIS DRAWING   |                 |

SHEET 1 OF 1 MTCBXX-XXX-XXX