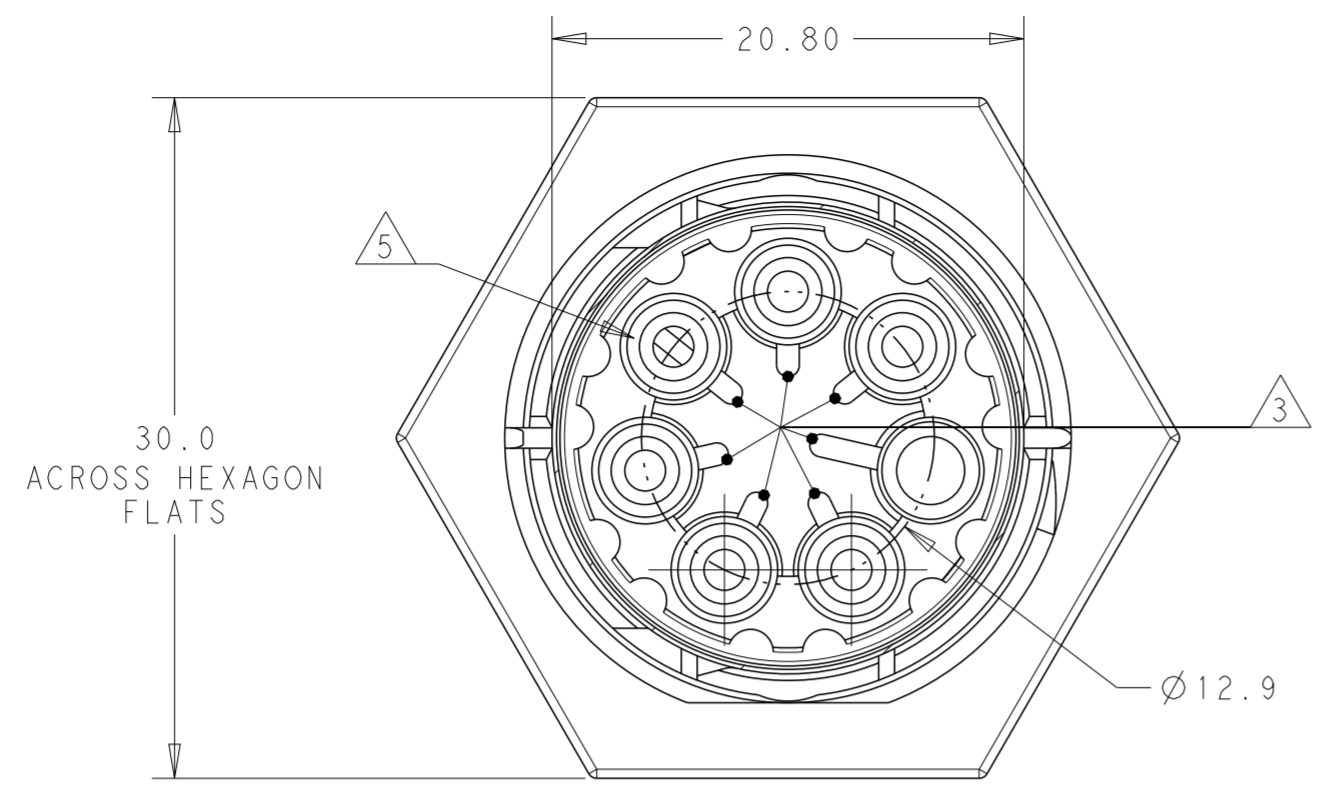


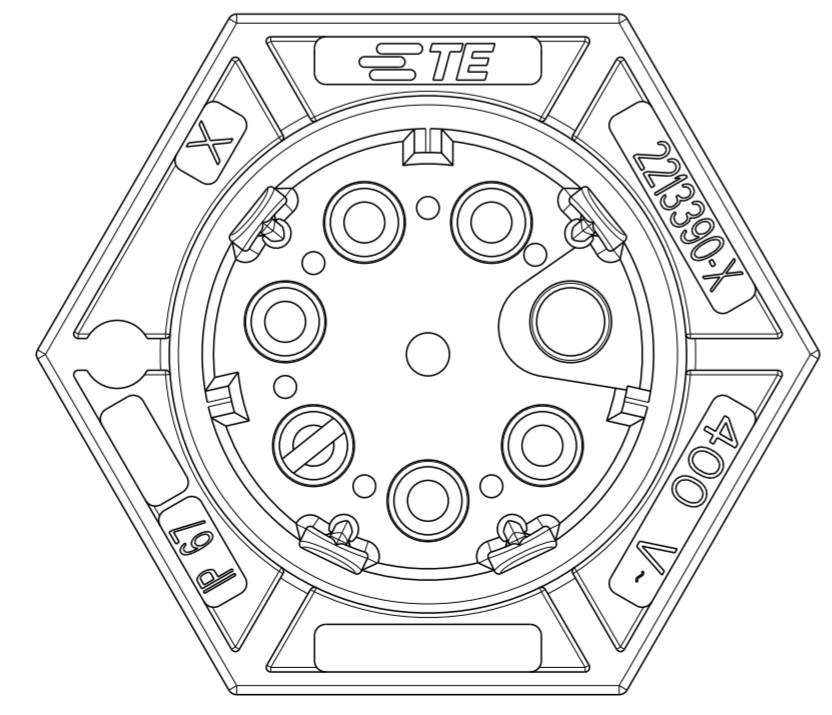
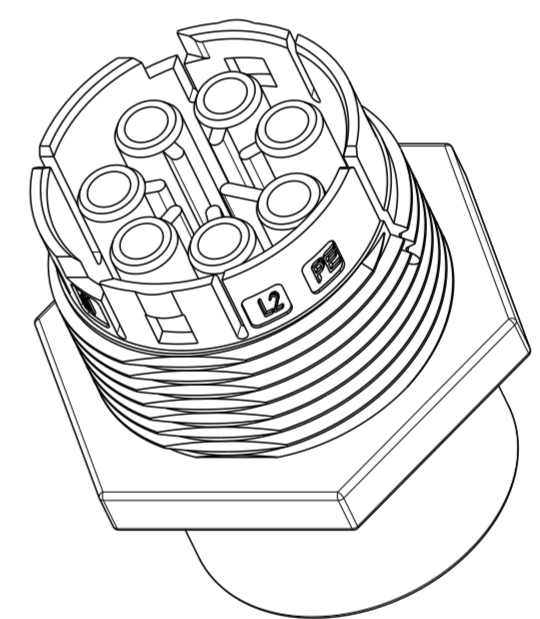
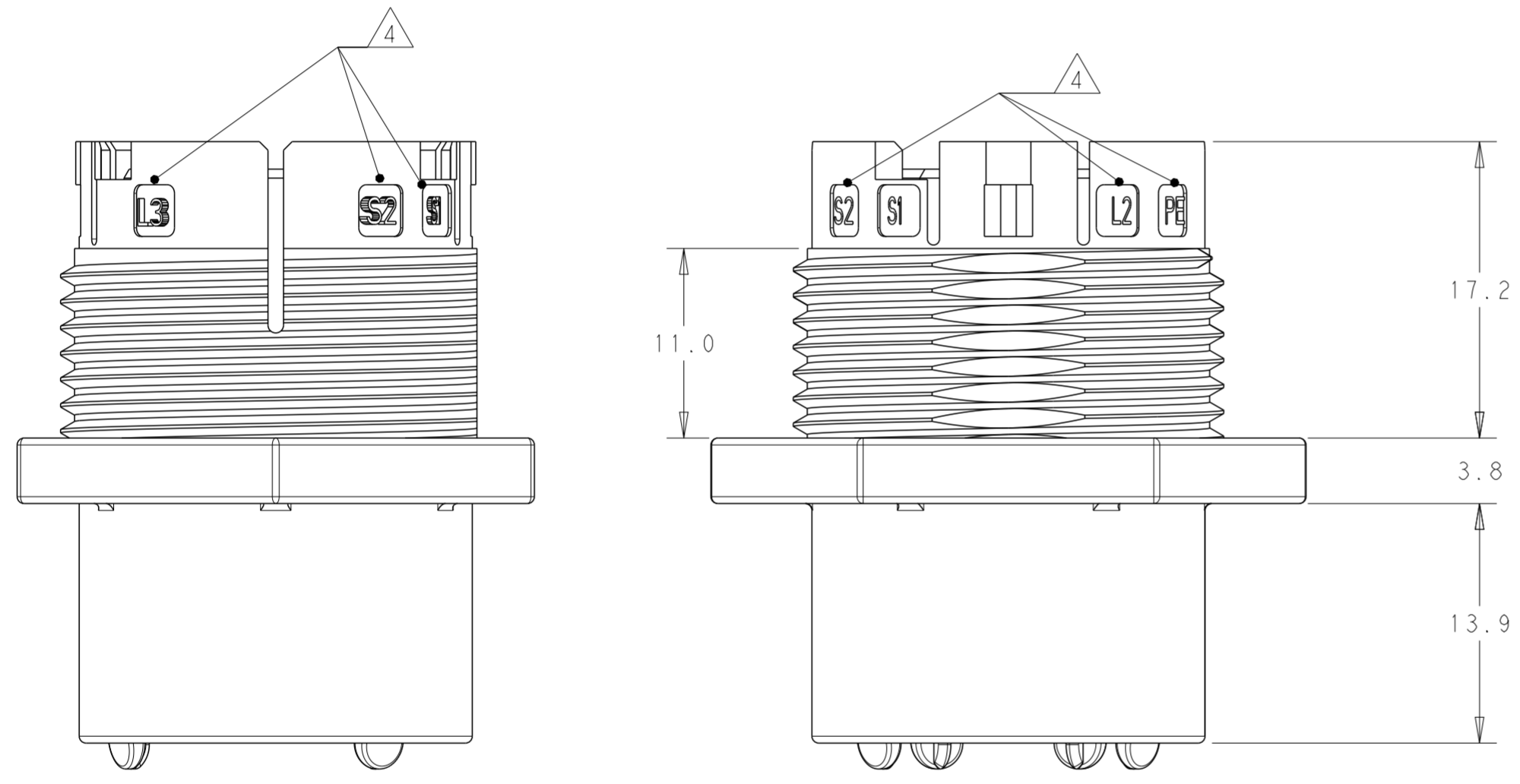
THIS DRAWING IS UNPUBLISHED. RELEASED FOR PUBLICATION 20
 © COPYRIGHT 20 BY - ALL RIGHTS RESERVED.

REVISIONS					
P	LTR	DESCRIPTION	DATE	DWN	APVD
A		REVISED AS PER ECR-15-005925	21APR2015	RS	JL
B		REVISED AS PER ECR-16-000859	08MAR2016	RS	JL



NOTES:

1. MATERIAL: GLASS FILLED PBT, COLOR: BLACK
2. MUST COMPLY WITH DIRECTIVE 2002/95/EC (ROHS)
3. ALL POLARIZATION KEYS SHOWN FOR REF ONLY.
4. CIRCUIT I.D.
5. CIRCUIT "L3" IS BLOCKED TO PREVENT CONTACT INSTALLATION.
6. THIS PRODUCT HAS NOT COMPLETED VALIDATION TESTING

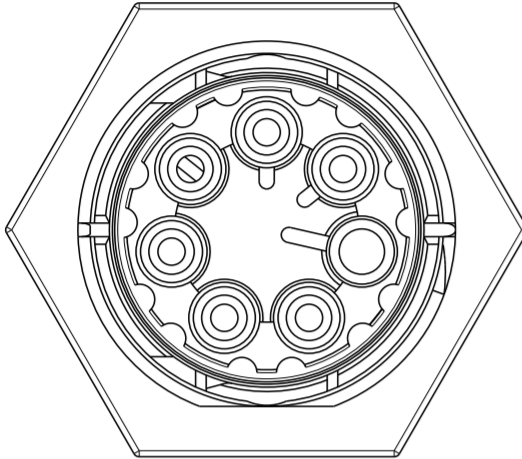
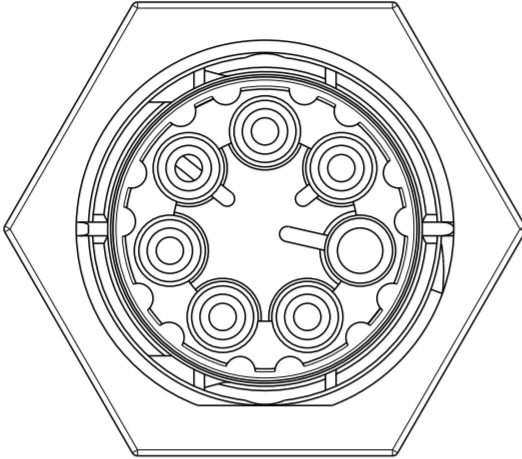
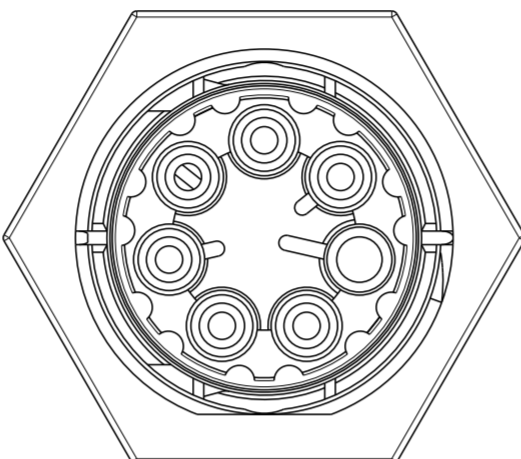
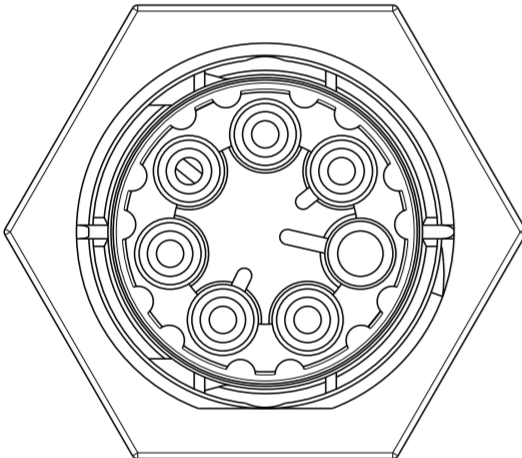
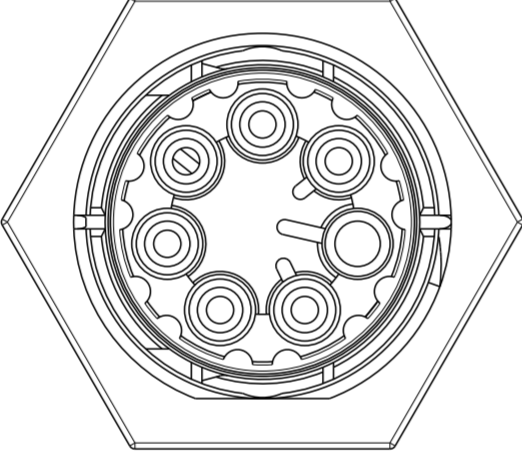


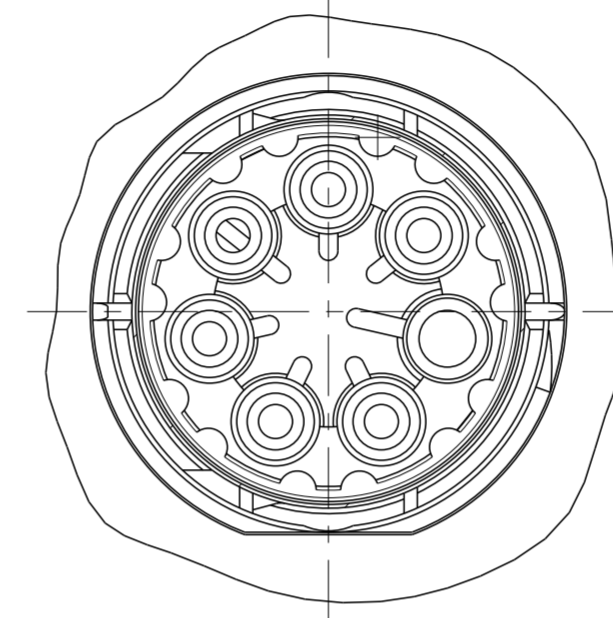
POLARIZATION KEYING	DESCRIPTION	PART NUMBER
E	PANEL MT SKT. SEALED NECTOR M, 6 POLE	2213262-5
D	PANEL MT SKT. SEALED NECTOR M, 6 POLE	2213262-4
C	PANEL MT SKT. SEALED NECTOR M, 6 POLE	2213262-3
B	PANEL MT SKT. SEALED NECTOR M, 6 POLE	2213262-2
A	PANEL MT SKT. SEALED NECTOR M, 6 POLE	2213262-1

THIS DRAWING IS A CONTROLLED DOCUMENT.		DWN J. SHAFFER 13NOV2013	TE Connectivity	
DIMENSIONS: mm		CHK M. LUKSIC 13NOV2013		
TOLERANCES UNLESS OTHERWISE SPECIFIED:		APVD M. LUKSIC 13NOV2013	NAME PANEL MOUNT, SOCKET; SEALED NECTOR M; 6 POLE	
0 PLC ±	1 PLC ±0.2	PRODUCT SPEC 108-133014	SIZE A2	CAGE CODE -
2 PLC ±0.13	3 PLC ±	APPLICATION SPEC 114-32111	DRAWING NO G-2213262	RESTRICTED TO -
4 PLC ±	ANGLES ±	WEIGHT -	SCALE 2:1	SHEET 1 OF 2
FINISH -	-	Customer Drawing	REV B	-

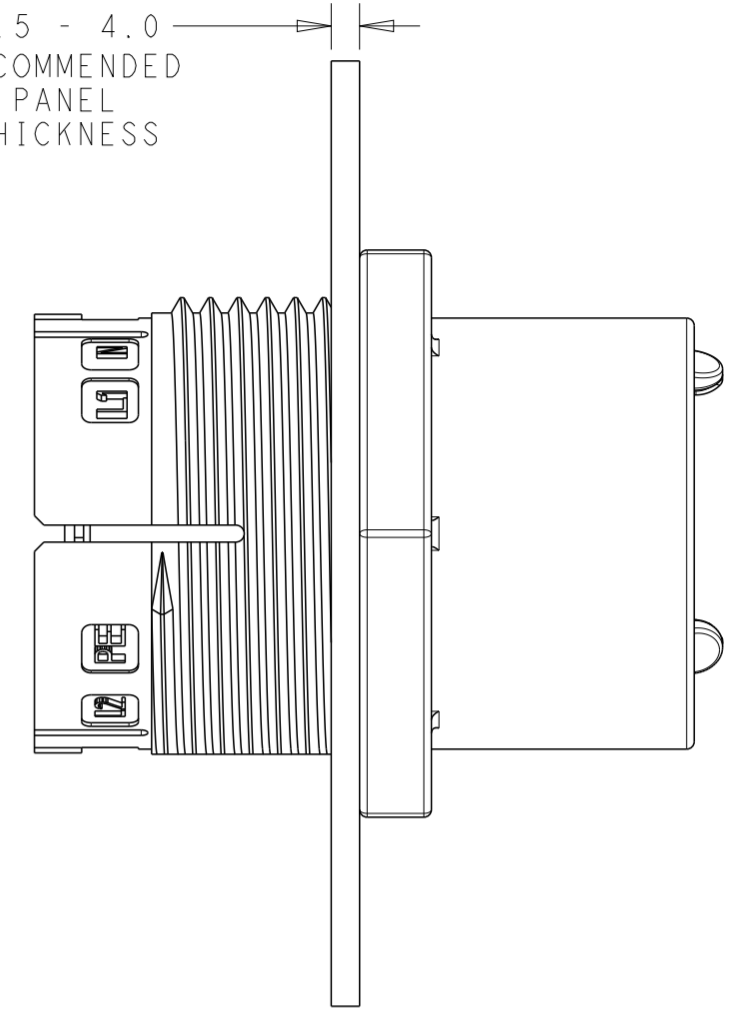
REVISIONS				
P	LTR	DESCRIPTION	DATE	APVD
-	-	SEE SHEET 1	-	-

POLARIZATION TYPES

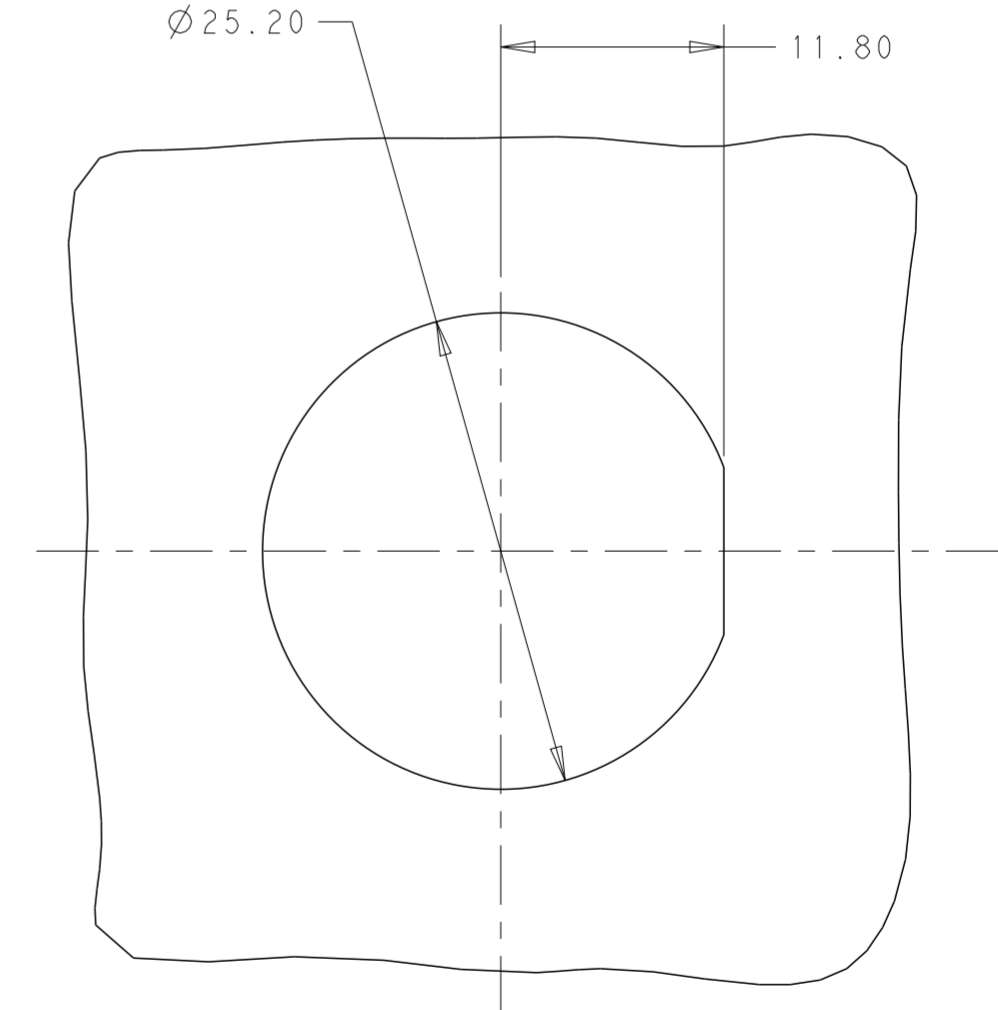
POLARIZATION TYPE "A"	POLARIZATION TYPE "B"	POLARIZATION TYPE "C"
		
PN: 2213262-1	PN: 2213262-2	PN: 2213262-3
POLARIZATION TYPE "D"	POLARIZATION TYPE "E"	
		
PN: 2213262-4	PN: 2213262-5	



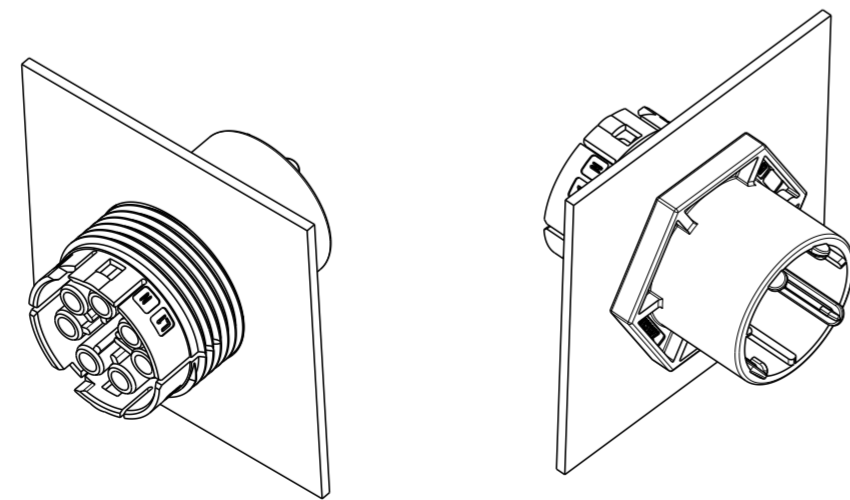
1.5 - 4.0
 RECOMMENDED
 PANEL
 THICKNESS




Ø25.20 11.80



RECOMMENDED
 PANEL CUTOUT
 SCALE 5:2



3D VIEWS
 FOR REFERENCE ONLY

THIS DRAWING IS A CONTROLLED DOCUMENT.		DWN J. SHAFFER 13NOV2013	 TE Connectivity	
DIMENSIONS: mm		CHK M. LUKSIC 13NOV2013		
TOLERANCES UNLESS OTHERWISE SPECIFIED:		APVD M. LUKSIC 13NOV2013	NAME PANEL MOUNT, SOCKET; SEALED NECTOR M; 6 POLE	
0 PLC ±	1 PLC ±0.2	PRODUCT SPEC 108-133014	SIZE A2	CAGE CODE -
2 PLC ±0.13	3 PLC ±	APPLICATION SPEC 114-32111	DRAWING NO G-2213262	RESTRICTED TO -
4 PLC ±	ANGLES ±	WEIGHT -	SCALE 2:1	SHEET 2 OF 2
MATERIAL NOTE 1	FINISH -	Customer Drawing	REV B	