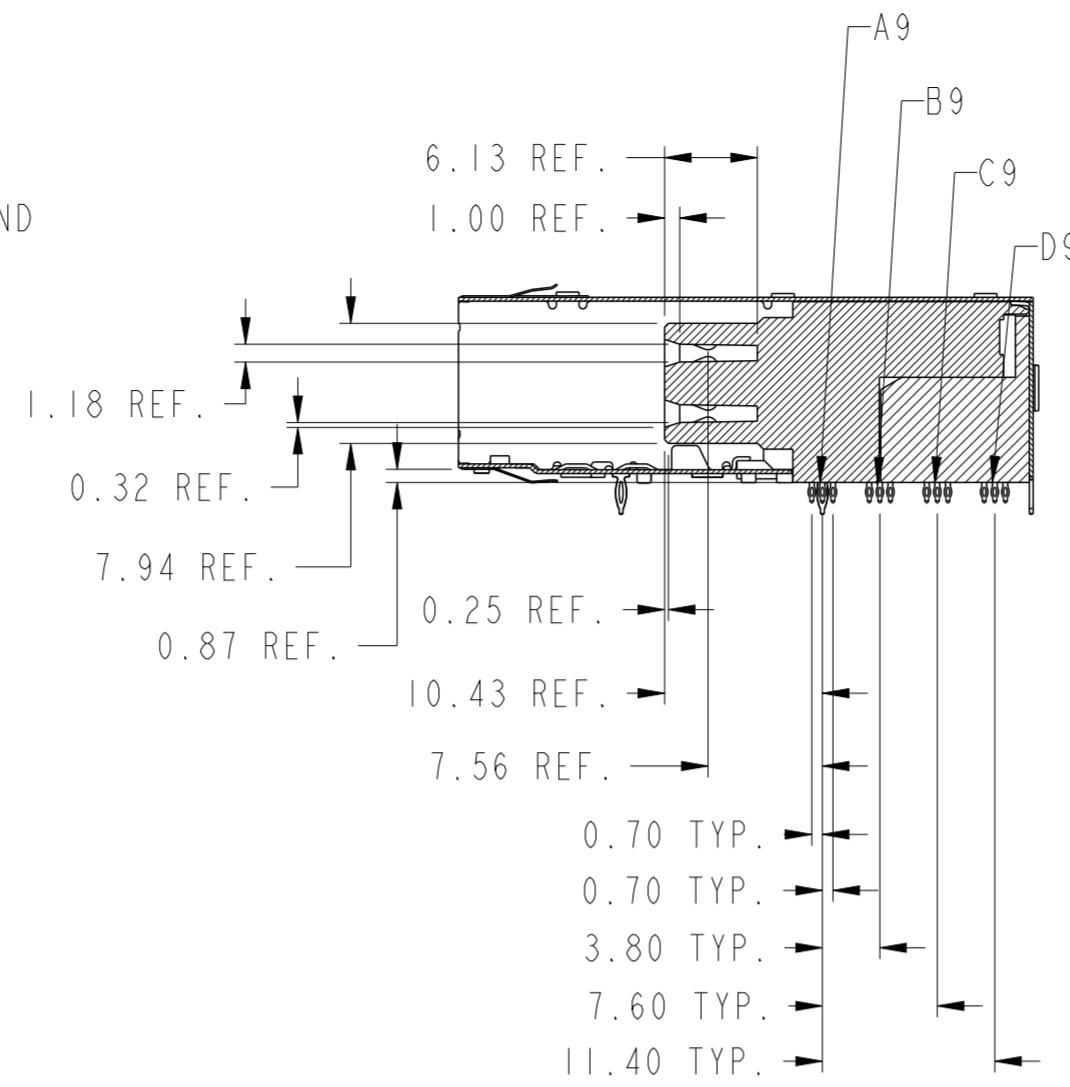
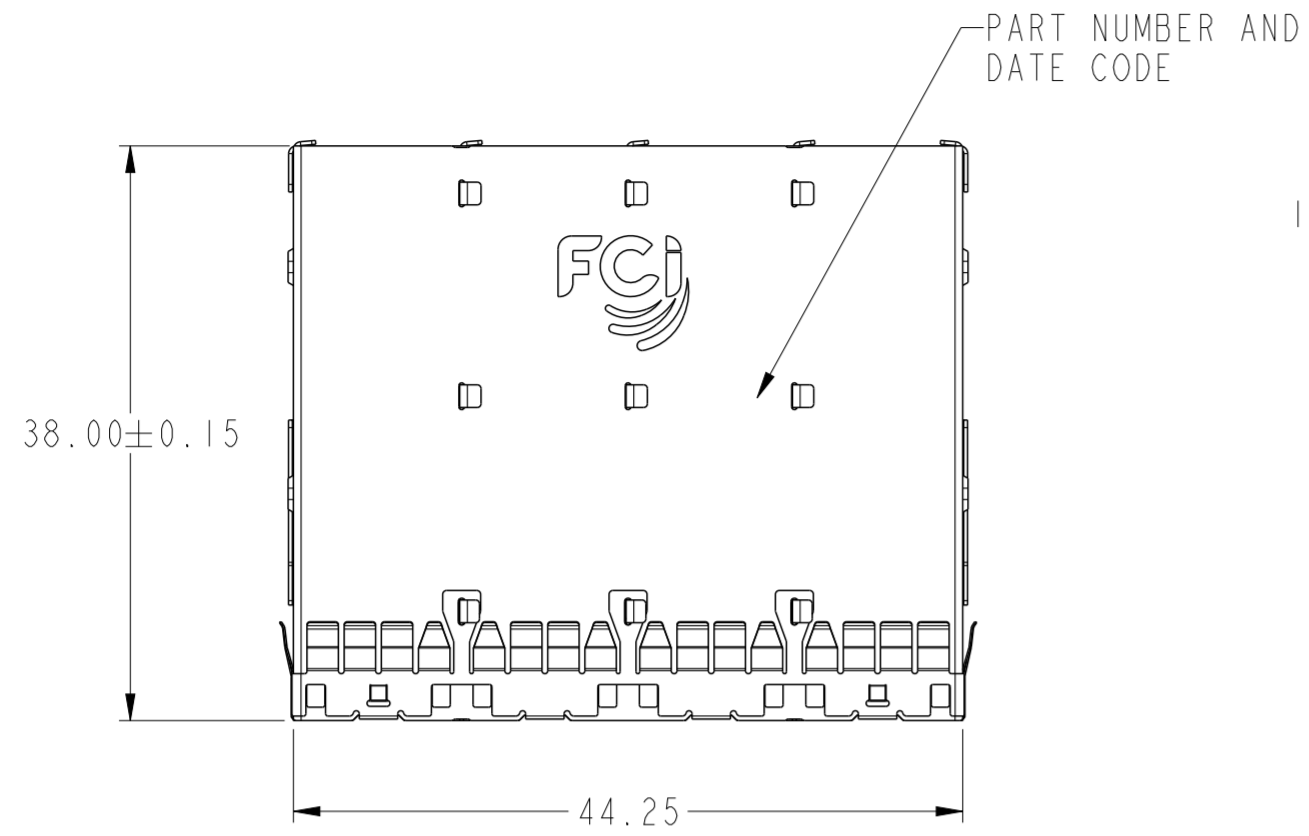
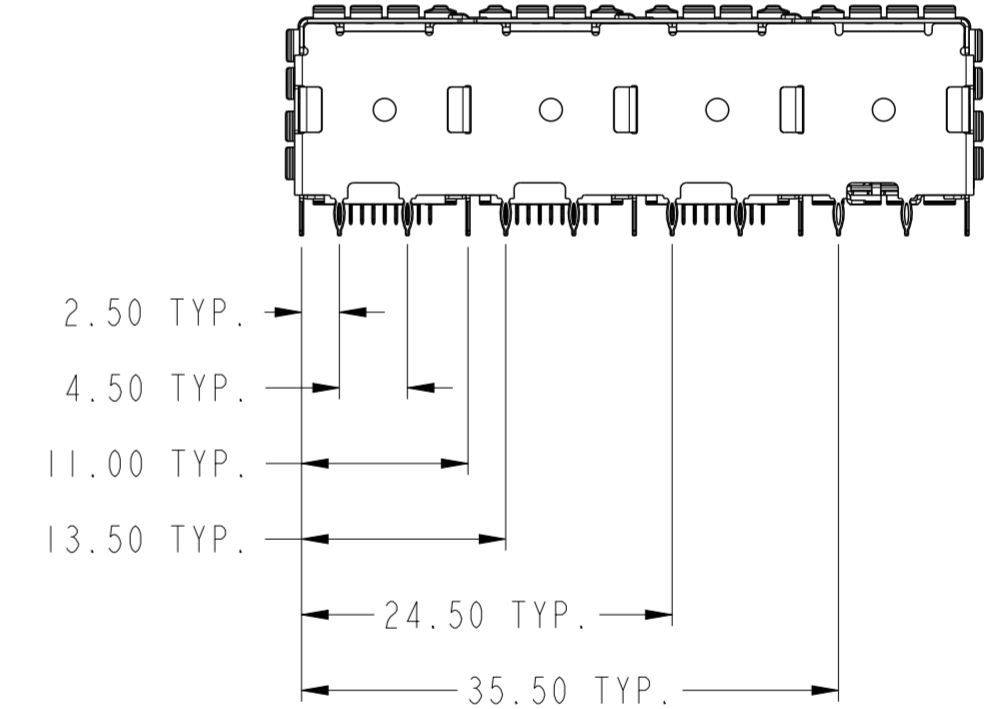
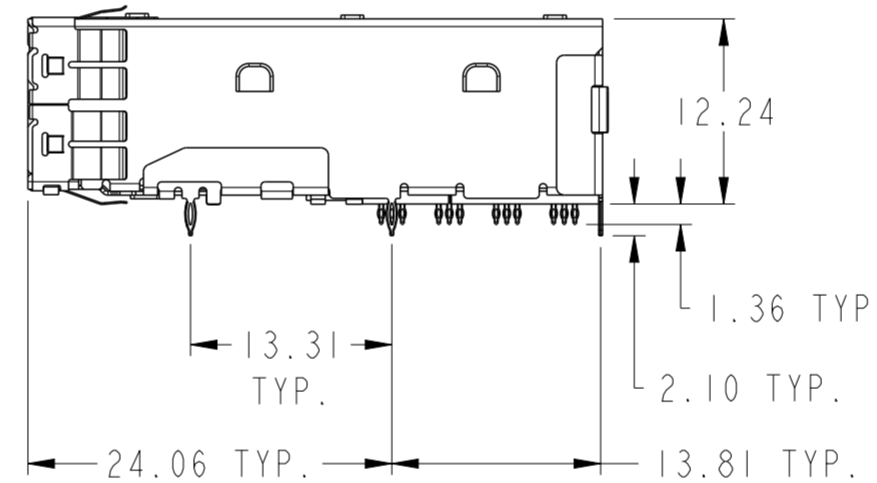
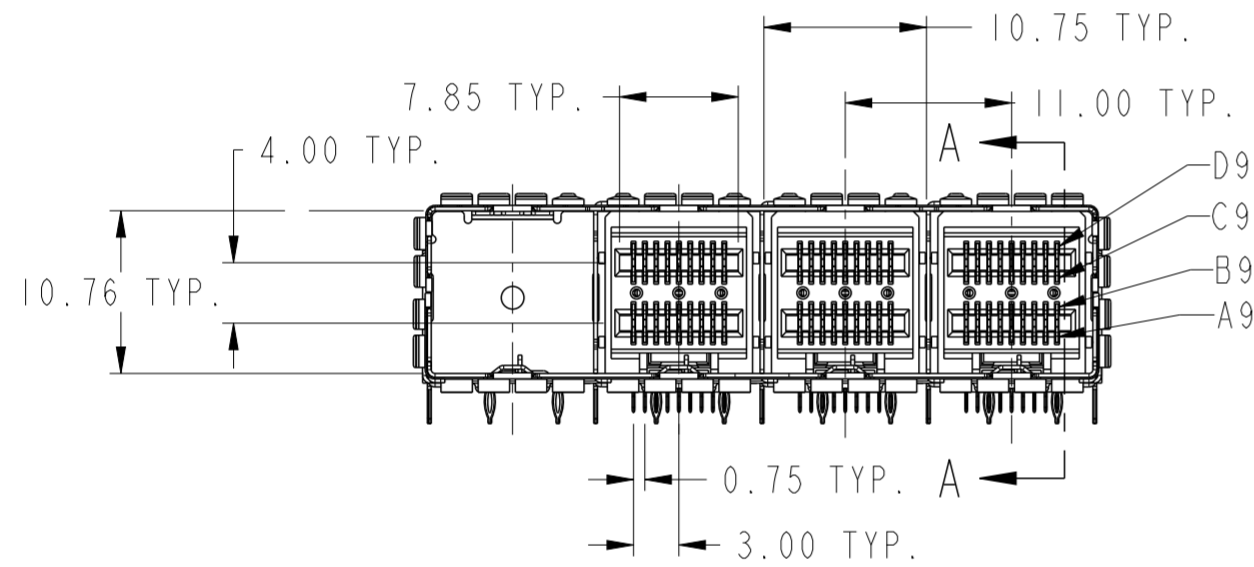
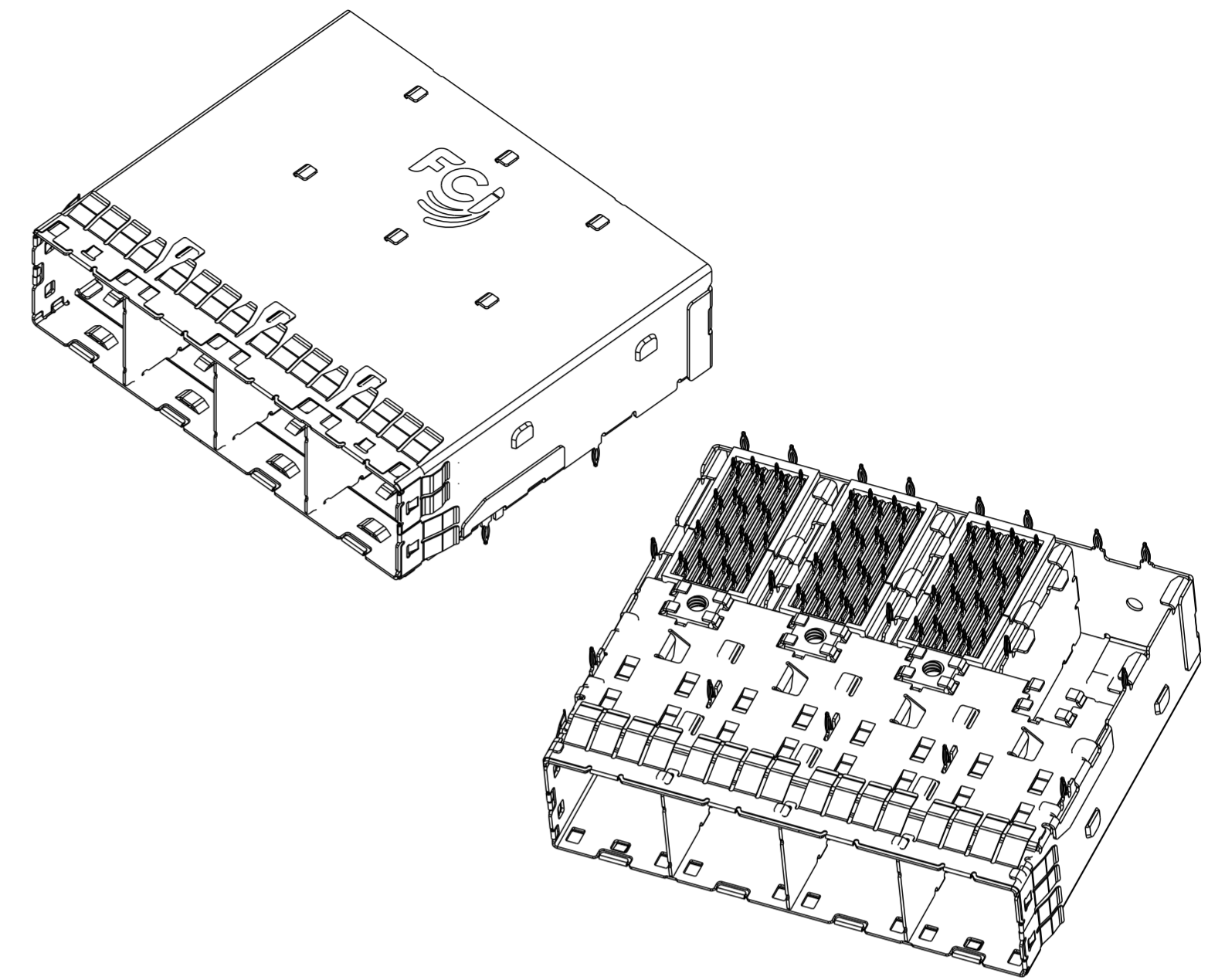


PRODUCT NUMBER	DESCRIPTION
10122504-101LF	SELECTIVE EXTERNAL



SECTION A-A
SCALE 2:1



NOTES:

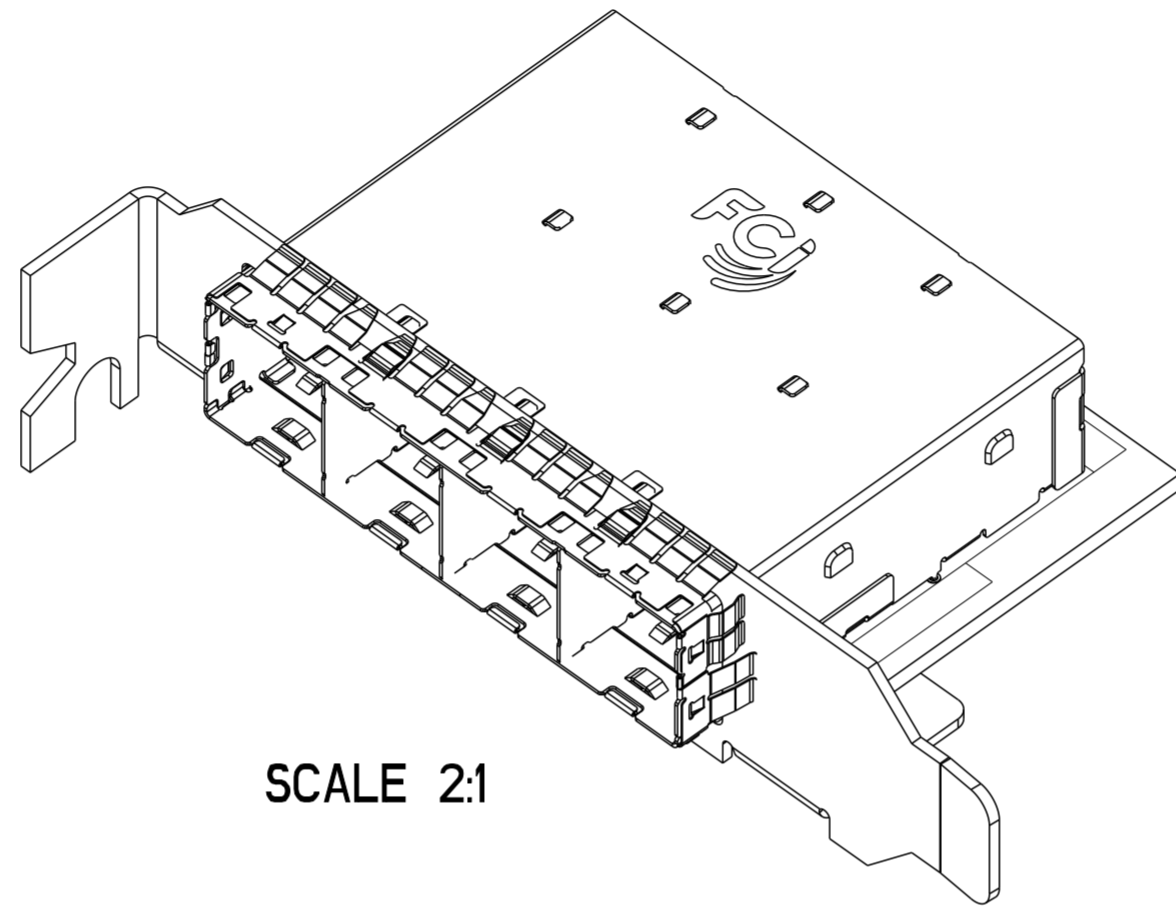
- MATERIALS:
CONNECTOR HOUSING: HIGH TEMPERATURE THERMOPLASTIC GLASS FILLED, UL 94V-0
EMI CAGE: NICKEL SILVER ALLOY
EMI FINGERS: COPPER ALLOY
TERMINALS: COPPER ALLOY
- FINISHES:
EMI FINGERS: 0.50um MIN NICKEL
CONTACT AREA: 0.76um MIN GOLD OVER 2.54um MIN NICKEL
TAIL AREA: 0.76um - 1.52um TIN (LEAD FREE) OVER 2.54um MIN NICKEL
- PRODUCT SPECIFICATION: GS-12-651
APPLICATION SPECIFICATION: GS-20-0327
- MOUNTING HARDWARE: M2 X 0.4 BUTTON HEAD SCREW
MOUNTING SCREW LENGTH: BOARD THICKNESS + 1.4mm MAX (0.9mm MIN).
3 REQUIRED PER ASSEMBLY
- THIS CONNECTOR IS DESIGNED TO MEET THE REQUIREMENTS OF INDUSTRY SPECIFICATION SFF-8644.
- THE USE OF A PCI BRACKET OR EQUIVALENT IS REQUIRED FOR THIS PRODUCT
- A \triangle SYMBOL WILL BE NEXT TO ANY DIMENSION, VIEW OR NOTE THAT HAVE BEEN MODIFIED WITH THE CURRENT DRAWING REVISION.

MATES WITH MINI-SAS HD ENDS IN:
10112041 SERIES (4X)
10117771 SERIES (4X)
10117946 SERIES (4X)
10117949 SERIES (4X)
10117947 SERIES (8X)
10112359 SERIES (8X)
10117950 SERIES (8X)
10117948 SERIES (8X)

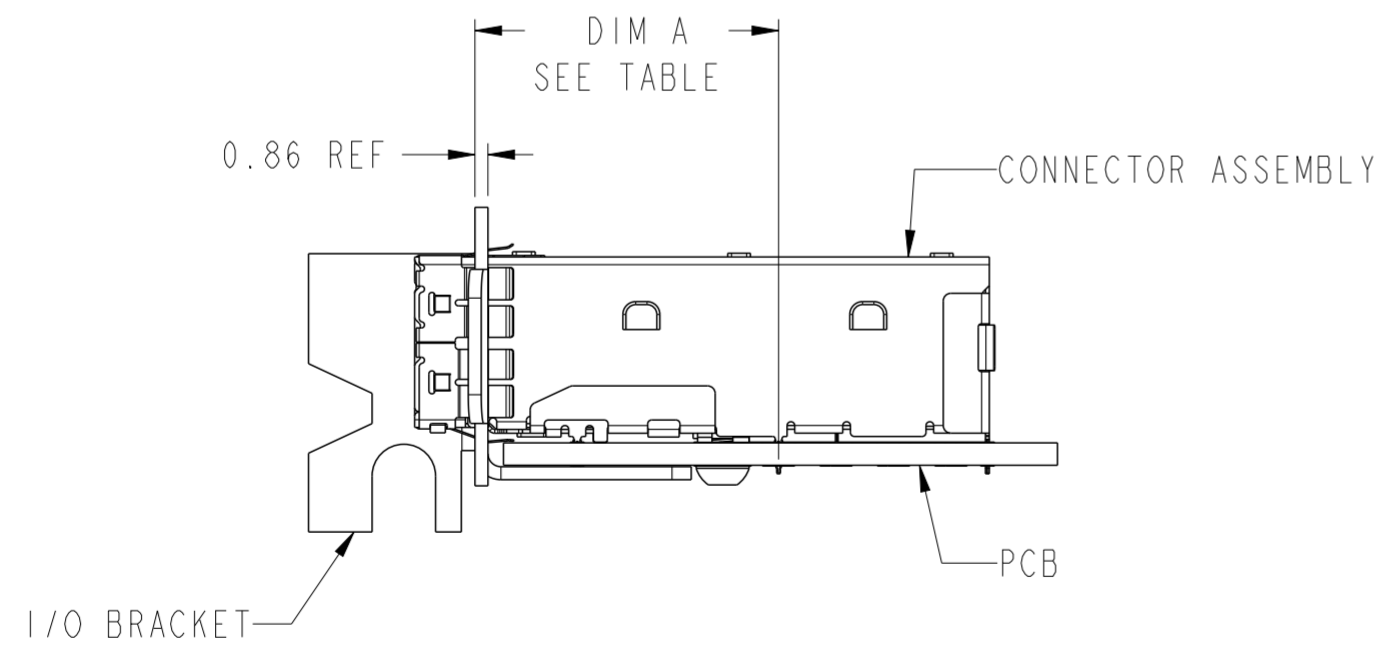
spec ref	-	dr	Qin De-Feng	2012/12/16	projection	MM	size	A2	scale	4:1
tolerance std	ASME Y14.5	eng	Qin De-Feng	2014/02/19			ecn no	-	rel level	Released
TOLERANCES UNLESS OTHERWISE SPECIFIED		chr	-	apppr						
surface	linear	0.X	±0.25		FCI		1x4 SELECTIVE PORT		dwg no 10122504	rev A
		0.XX	±0.20		MINI-SAS HD EXTERNAL					
	angular	0°	±2°		www.fci.com					
ASME Y14.5		cat. no.		Product - Customer Drw		sheet 1 of 5				

APPLICATION	DIM A
PCI ADD-IN CARD	19.00 ± 0.15
ALL OTHER APPLICATIONS	20.08 ± 0.15

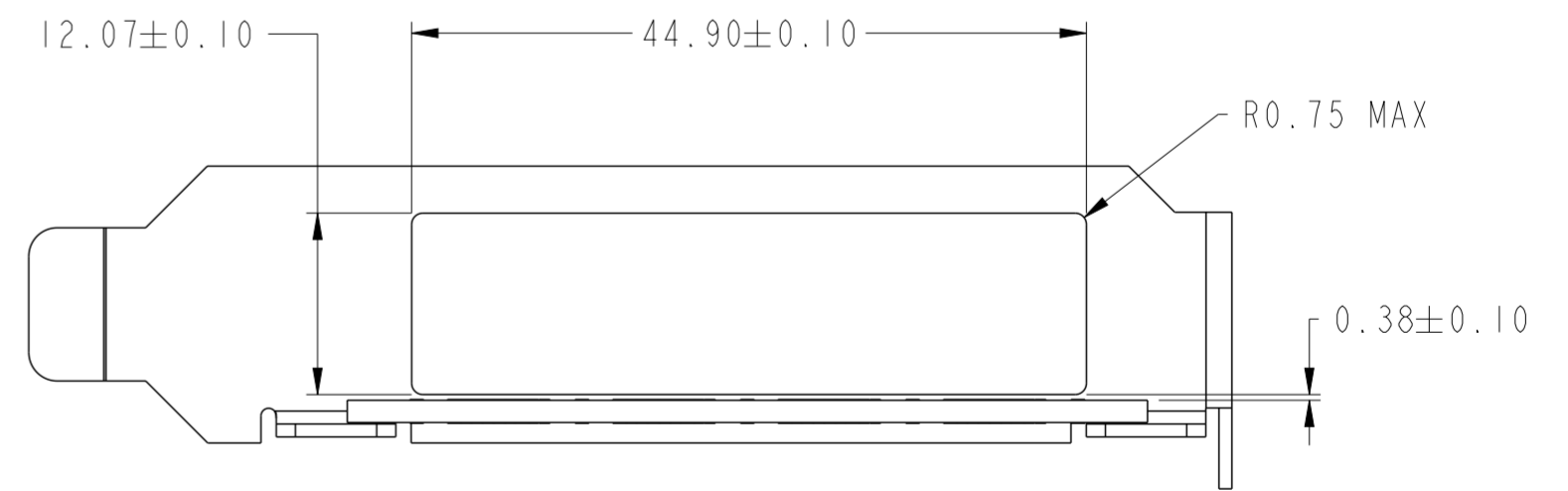
I/O BRACKET CUT OUT
(BRACKET NOT SUPPLIED)
SEE NOTE 6



SCALE 2:1



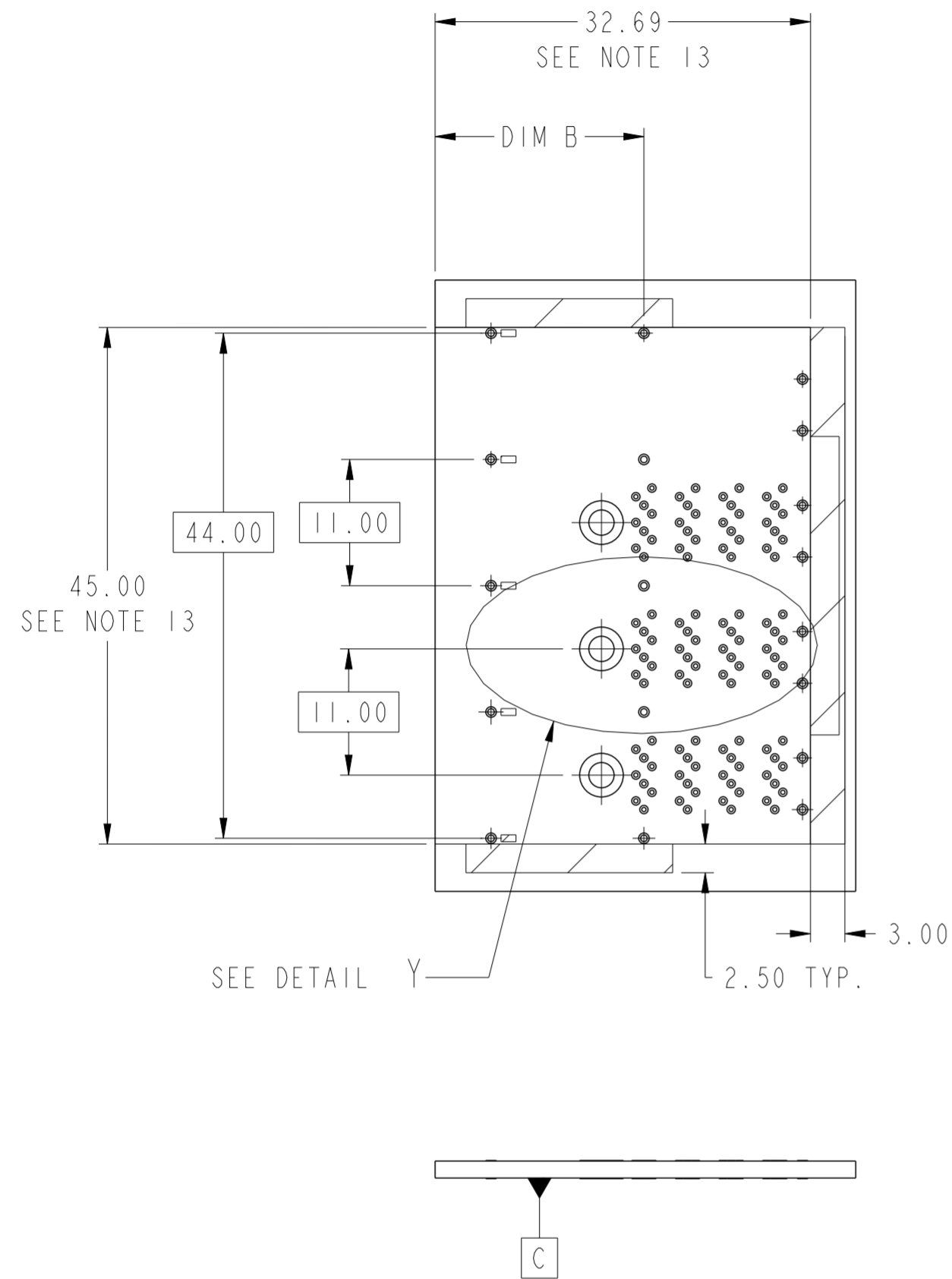
ASSEMBLED VIEW
SCALE 2:1



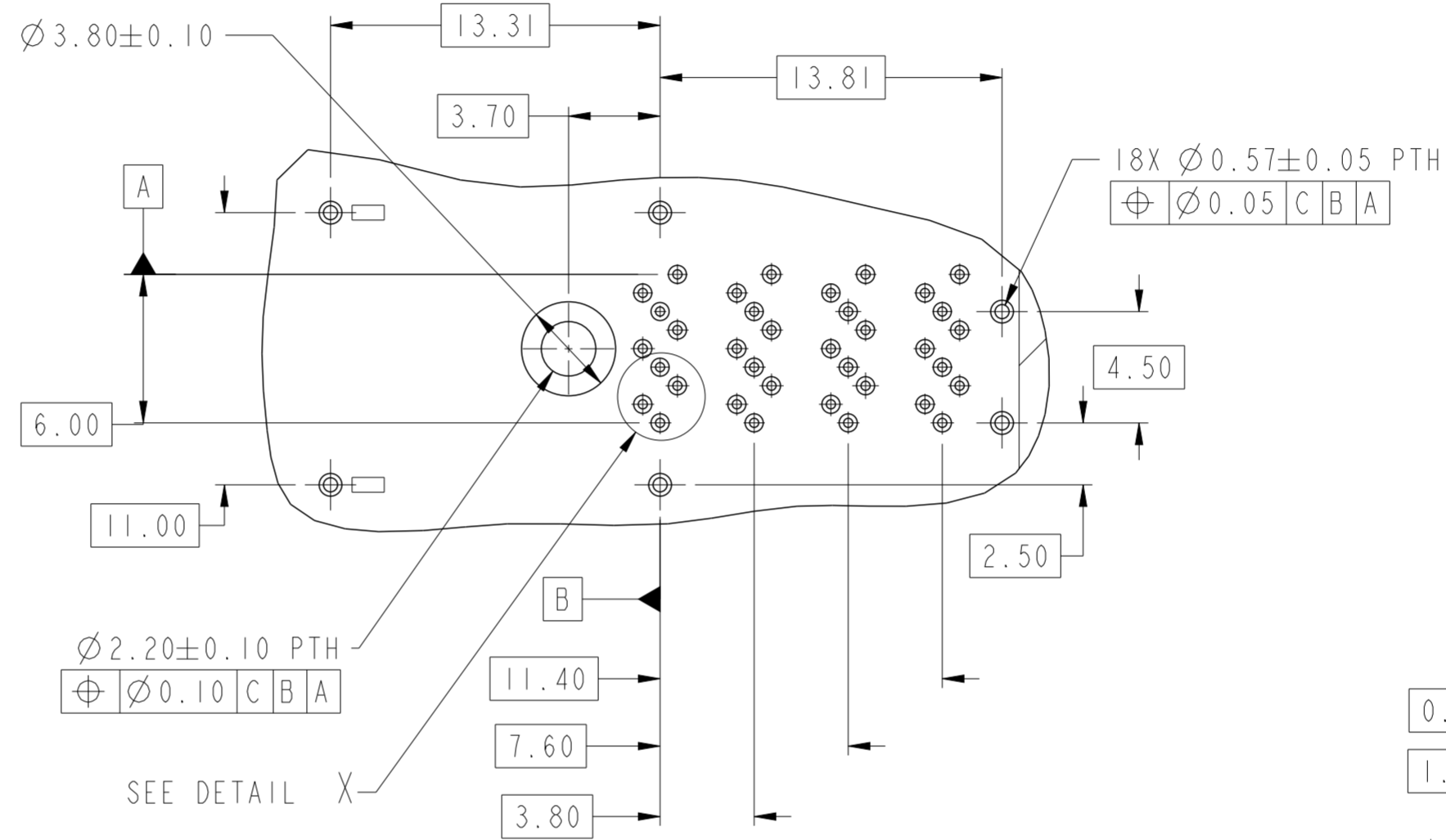
BRACKET LAYOUT
SCALE 2:1

spec ref	-	dr	Qin De-Feng	2012/12/16	projection	MM	size	A2	scale	2:1
tolerance std	ASME Y14.5	eng	Qin De-Feng	2014/02/19			ecn no	-	rel level	Released
TOLERANCES UNLESS OTHERWISE SPECIFIED		chr	-	appr						
surface	✓	linear	0.X	±0.25		title I x4 SELECTIVE PORT MINI-SAS HD EXTERNAL	dwg no 10122504	rev A	ASME Y14.5 angular 0° ±2°	
			0.XX	±0.20						
			0.XXX	±						
www.fci.com		cat. no.		Product - Customer Drw		sheet 2 of 5				

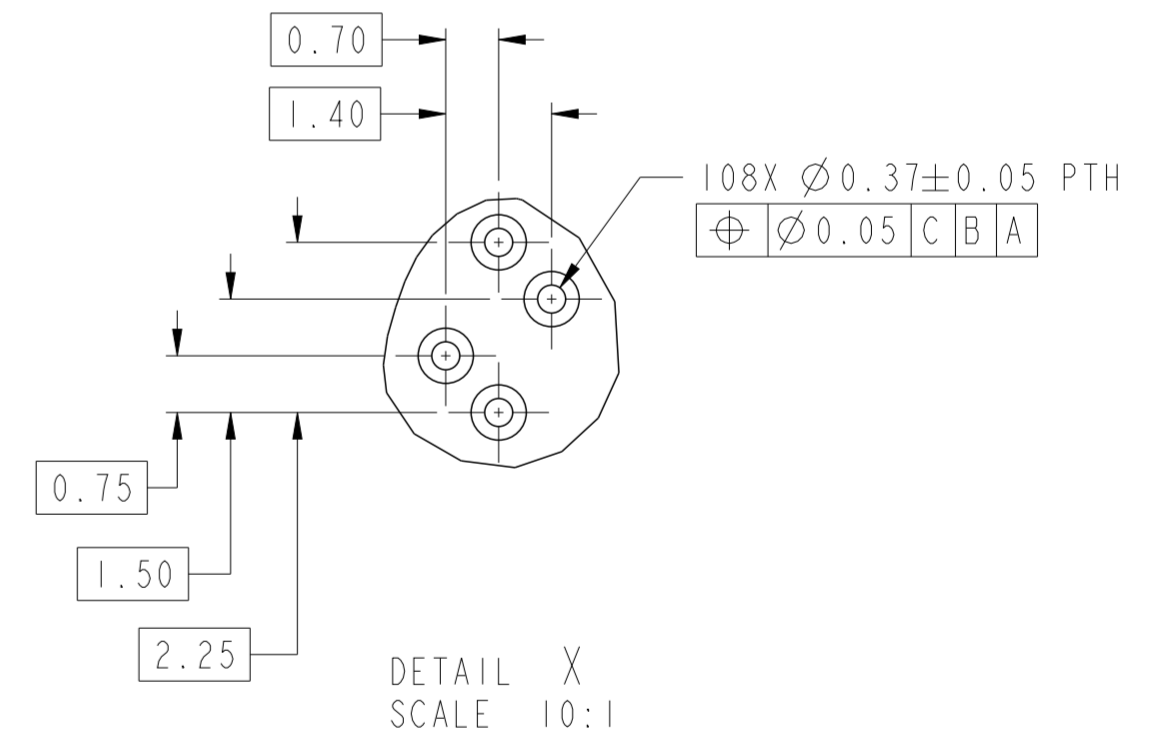
APPLICATION	DIM B
PCI ADD-IN CARD	17.10 ± 0.15
ALL OTHER APPLICATIONS	18.19 ± 0.15



RECOMMENDED BOARD LAYOUT



DETAIL Y
SCALE 4:1



DETAIL X
SCALE 10:1

NOTES:

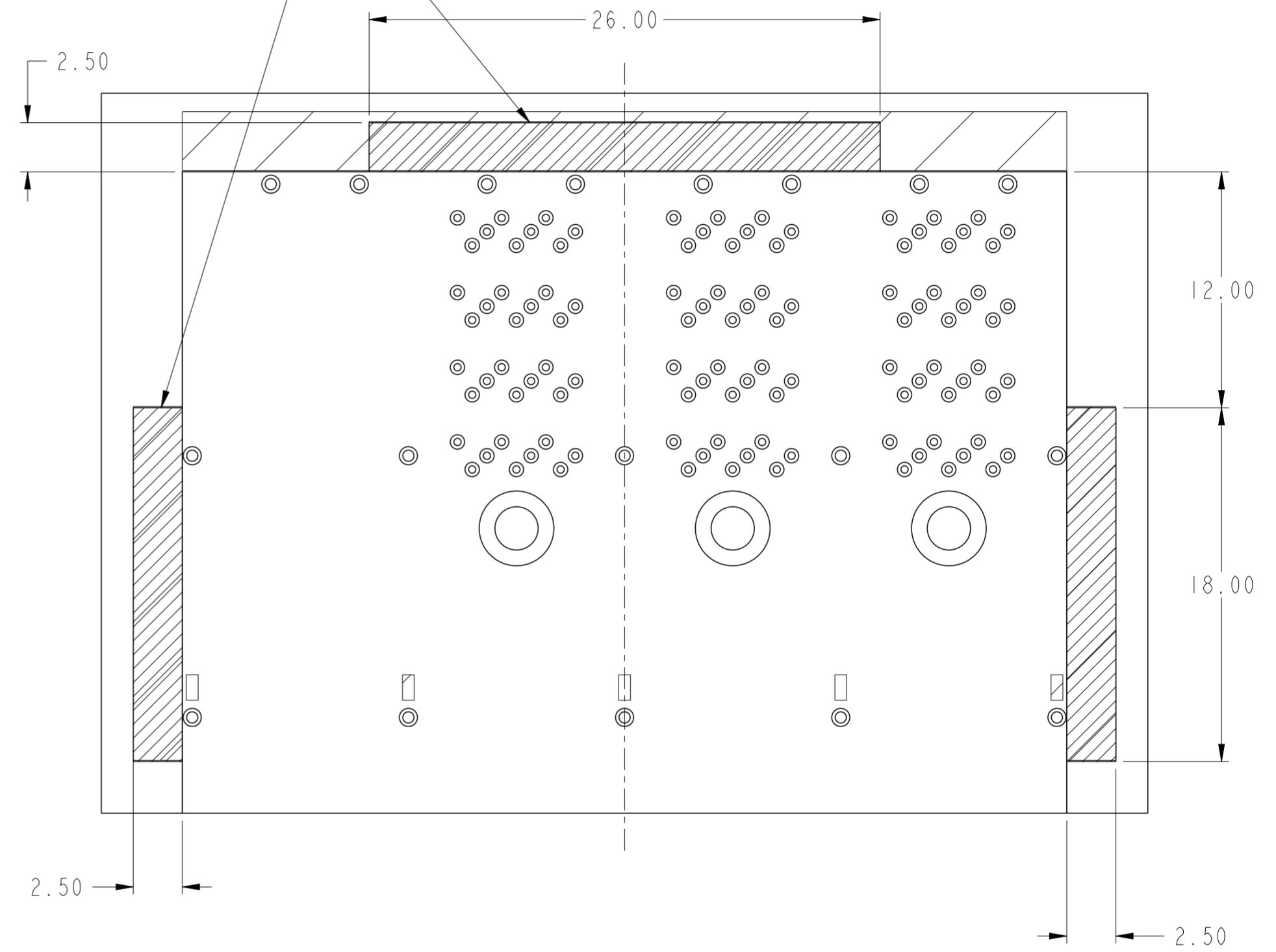
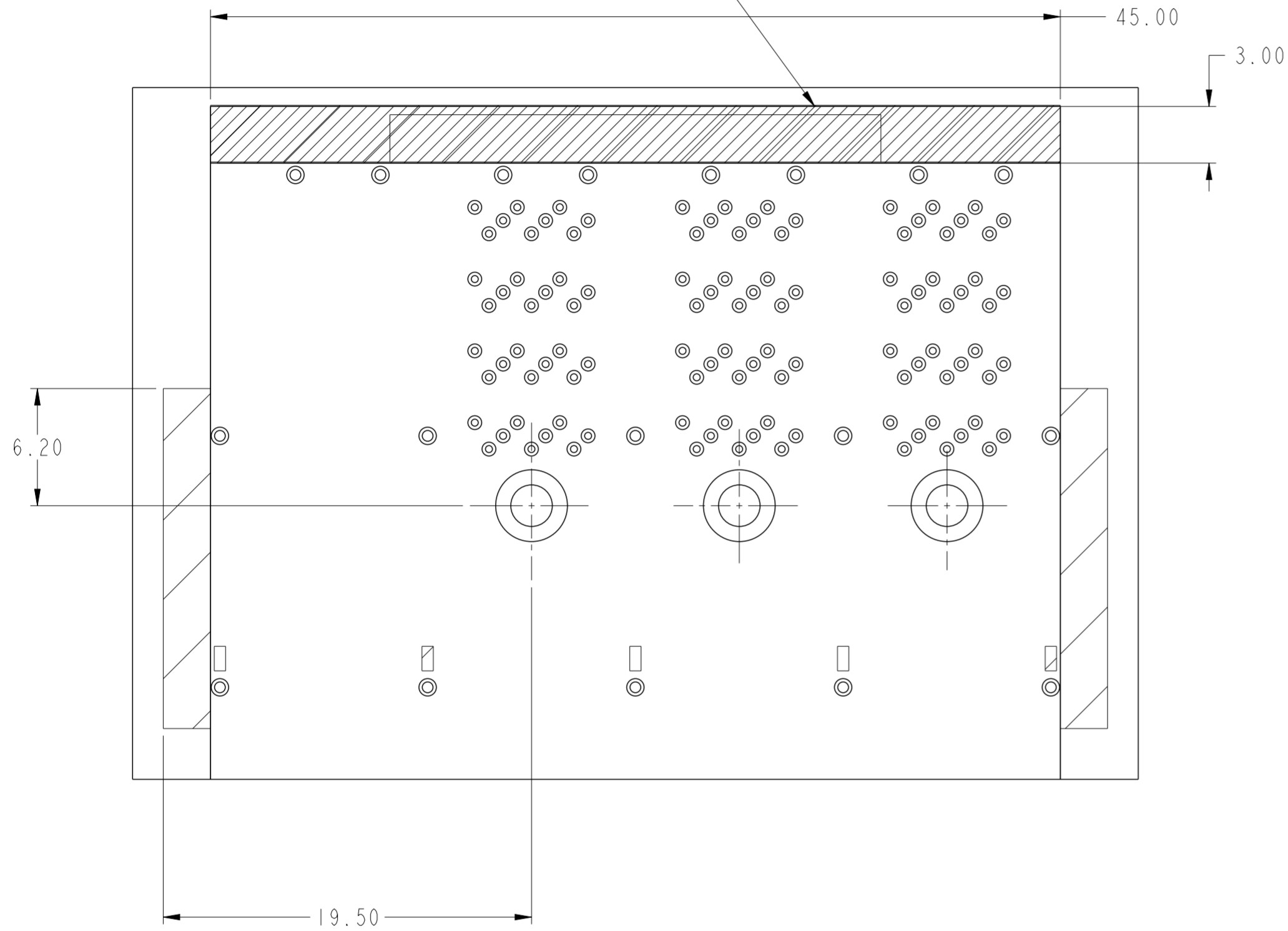
- RECOMMENDED DRILL SIZE FOR $\varnothing 0.37$ FINISHED PTH IS $\varnothing 0.457$.
- RECOMMENDED ANNULAR RING AROUND $\varnothing 0.37$ FINISHED PTH IS $\varnothing 0.73$.
- RECOMMENDED DRILL SIZE FOR A $\varnothing 0.57$ FINISHED PTH IS $\varnothing 0.68$.
- RECOMMENDED ANNULAR RING AROUND A $\varnothing 0.57$ FINISHED PTH IS $\varnothing 0.93$.
- MINIMUM RECOMMENDED CENTER TO CENTER SPACING BETWEEN ADJACENT CONNECTORS: 47.00mm.
- CONNECTOR KEEP OUT AREA.
- MINIMUM PCB THICKNESS: 1.57mm.

spec ref	-	dr	Qin De-Feng	2012/12/16	projection	MM	size	A2	scale	12:1	
tolerance std	ASME Y14.5	eng	Qin De-Feng	2014/02/19			ecn no	-	rel level	Released	
TOLERANCES UNLESS OTHERWISE SPECIFIED		chr	-	appr							Pei-Ming Zheng
surface	✓	linear	0.X	±0.25			title	1x4 SELECTIVE PORT		dwg no 10122504	rev A
			0.XX	±0.20	www.fci.com	cat. no.	-	Product - Customer Drw	sheet 3 of 5		
		angular	0°	±2°							

RECOMMENDED TOOLING KEEP OUT AREAS

RECOMMENDED INSERTION TOOL
KEEP OUT AREA
NO COMPONENTS IN THIS AREA
MORE THAN 7.50mm TALL

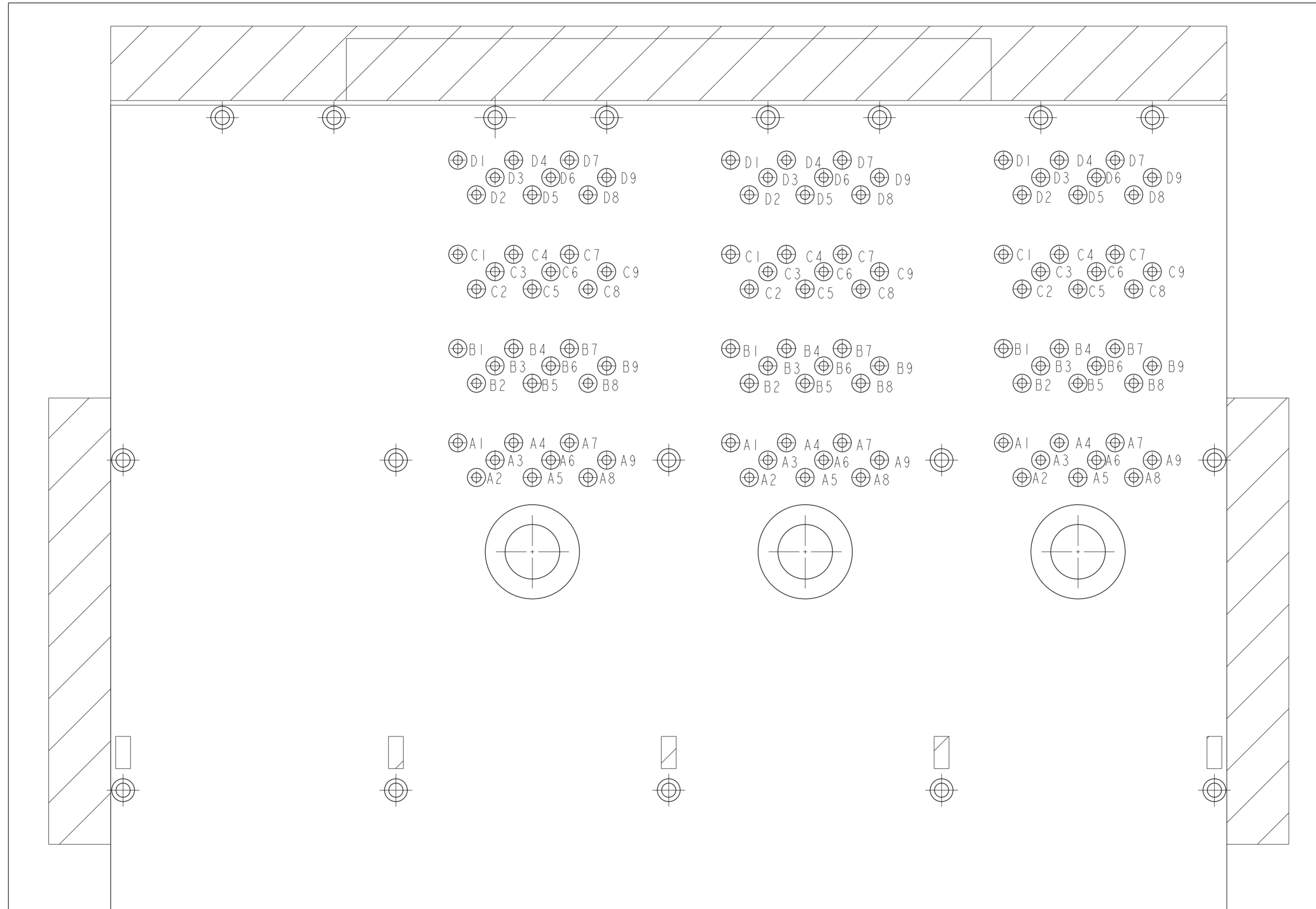
RECOMMENDED EXTRACTION TOOL
KEEP OUT AREA
NO COMPONENTS IN THESE AREAS



Copyright FCI.

spec ref	-	dr	Qin De-Feng	2012/12/16	projection	MM	size	A2	scale	12:1
tolerance std	ASME Y14.5	eng	Qin De-Feng	2014/02/19			ecn no	-	rel level	Released
TOLERANCES UNLESS OTHERWISE SPECIFIED		chr	-	appr						
surface	✓	linear	0.X	±0.25		title I x4 SELECTIVE PORT MINI-SAS HD EXTERNAL	dwg no 10122504	rev A	Product - Customer Draw sheet 4 of 5	
			0.XX	±0.20						
			0.XXX	±						
ASME Y14.5	angular	0°	±2°	www.fci.com	cat. no.	-	STATUS:Released		Printed: Feb 19, 2014	

PIN OUT DESIGNATIONS



spec ref	-	dr	Qin De-Feng	2012/12/16	projection	MM	size	A2	scale	12:1
tolerance std	ASME Y14.5	eng	Qin De-Feng	2014/02/19	chr	-	ecn no	-	rel level	Released
TOLERANCES UNLESS OTHERWISE SPECIFIED		appr	Pei-Ming Zheng	2014/02/19	product family	-	cat. no.	-	Product - Customer Drw	sheet 5 of 5
surface	✓	linear	0.X	±0.25	FCJ	1x4 SELECTIVE PORT	10122504	A	rev	-
			0.XX	±0.20						
			0.XXX	±-						
ASME Y14.5		angular	0°	±2°	www.fci.com	cat. no.	-	Product - Customer Drw	sheet 5 of 5	

PDS: Rev :A

STATUS:Released

Printed: Feb 19, 2014



Copyright FCI.