



# ACC-6SMRP2U

## Data Sheet



6" min co-ax cable with SMA Reverse Polarity jack and u.FL plug

## Disclaimer

While the information provided in this document is believed to be accurate, it is under development and ACKme Networks reserves the right to make changes without further notice to the product described herein to improve reliability, function, or design, and makes no guarantee or warranty concerning the accuracy of said information, nor shall it be responsible for any loss or damage of whatever nature resulting from the use of, or reliance upon, such information. ACKme Networks makes no warranties of any kind, whether express, implied or arising by custom or course of trade or performance, and specifically disclaims the implied warranties of title, non-infringement, merchantability, or fitness for a particular purpose.

No part of this document may be copied, reproduced, stored in a retrieval system, or transmitted, in any form or by any means, electronic, mechanical, photographic, or otherwise, or used as the basis for manufacture or sale of any items without the prior written consent of ACKme Networks.

## Trademarks

ACKme Networks and the ACKme Networks logo are trademarks of ACKme Networks. Other trademarks in this document belong to their respective owners.

Copyright © 2014 ACKme Networks.

All rights reserved.

Document Number: ACC-6SMRP2U-1xx

Release Date: June 3, 2014

## Contact

<http://ack.me/contact>

## About this Data Sheet

This document provides information about the ACC-6SMRP2U 6" miniature co-ax cable with SMA Reverse Polarity jack and u.FL plug.

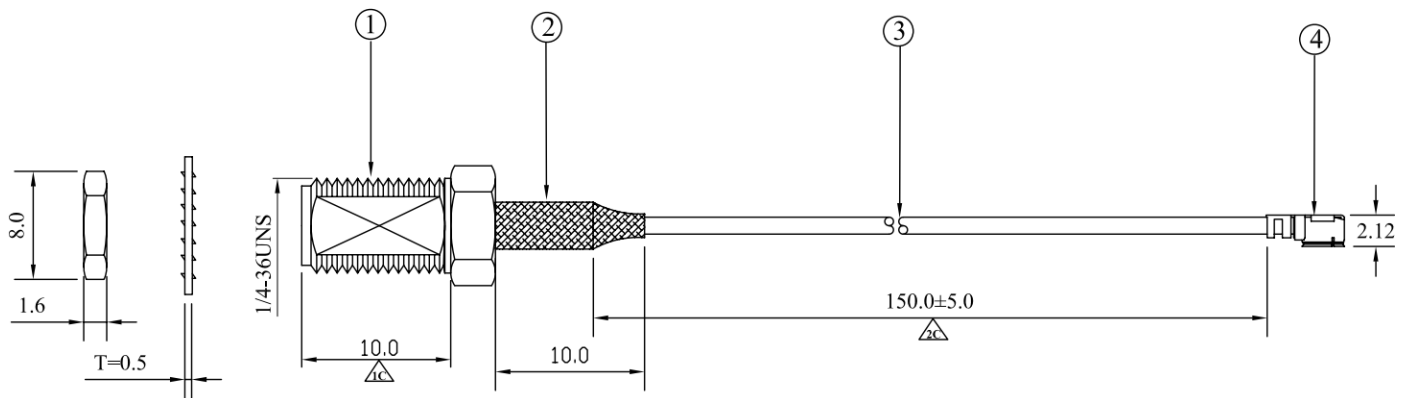
# 1 Description

The ACC-6SMRP2U is a miniature co-ax cable approximately 6" in length ideally suited for Wi-Fi and Bluetooth communications.

The cable is terminated on one end with an SMA Reverse polarity jack and on the other end with a u.FL plug.

The cable is ideal for Wi-Fi & Bluetooth applications in the 2400 – 2500 MHz band of operation.

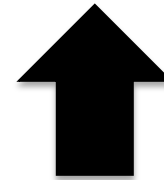
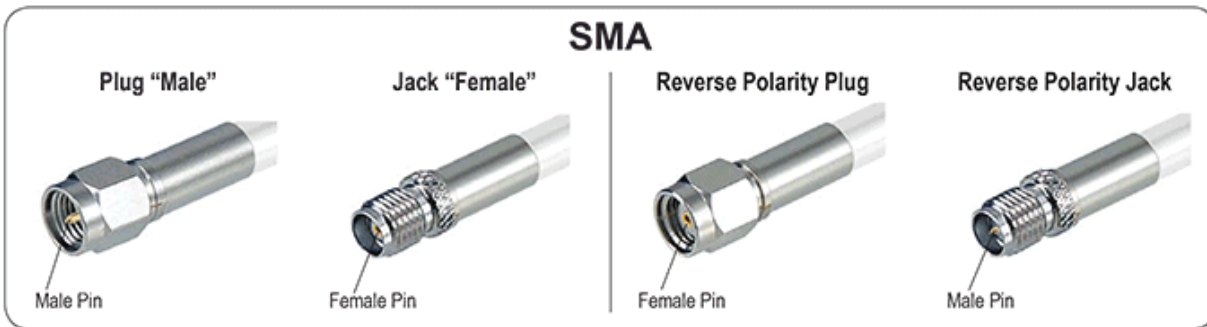
**Figure 1. ACC-6SMRP2U Drawing**



## Appendix A – SMA Connector Types

To keep everyone guessing, the industry offers four different types of SMA connectors depicted in the figure below.

The ACA-1SSRPP-2400 comes with a Straight SMA Reverse Polarity Plug connector with a female center pin as depicted by the large arrow underneath the following picture.



The SMA connector on the ACC-6SMRP2U cable looks like this

ACKme reserves the right to make changes without further notice to any products or data herein to improve reliability, function, or design. Information furnished by ACKme is believed to be accurate and reliable. However, ACKme does not assume any liability arising out of the application or use of this information, nor the application or use of any product described herein, neither does it convey any license under its patent rights nor the rights of others.

---

## ACKme Networks

US Headquarters:	Australian Office:
2 North Santa Cruz Ave	Level 21, Tower 2
Suite #207	201 Sussex St
Los Gatos CA 95030	Sydney NSW 2000

© 2014 ACKme Networks. All rights reserved.

ACC-6SMRP2U-100R • Preliminary Data Sheet  
June 3, 2014

## Contact Information

+1 (408) 402 5708  
<http://ack.me/contact>

