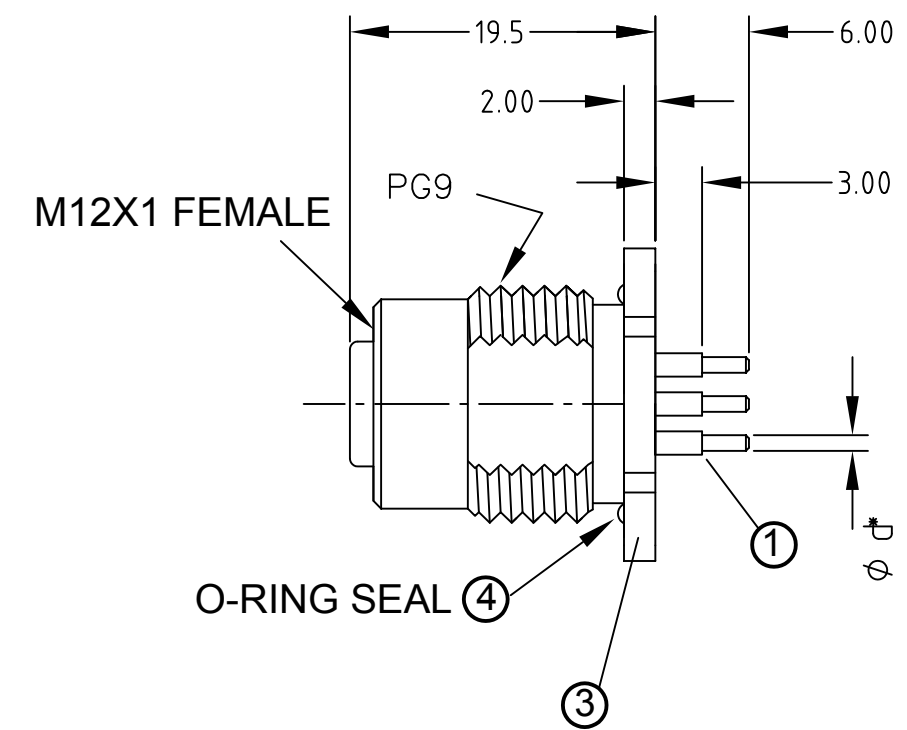
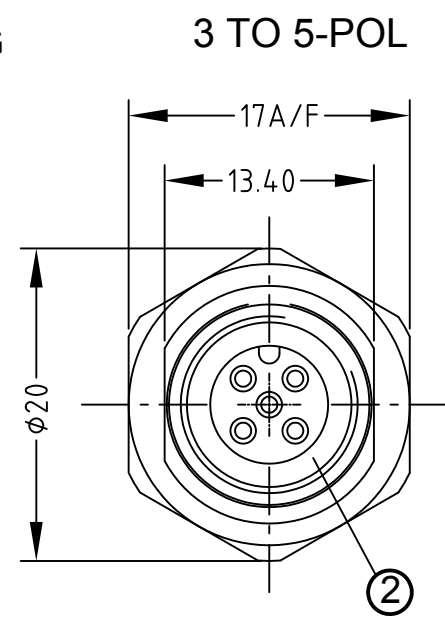
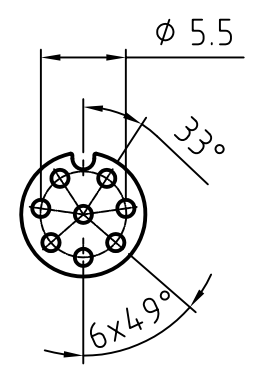
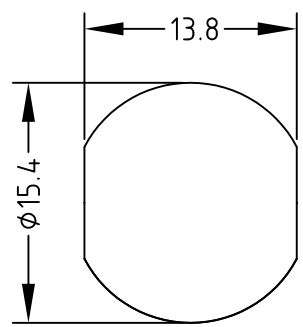


LOCKNUT DETAILS

DRILLING DRAWING FOR PC-BOARD 8-POL



Ø d*
3-5 pol.: 1.0
8 pol.: 0.8



PANEL CUT OUT
MAX. PANEL THICKNESS-4.5mm

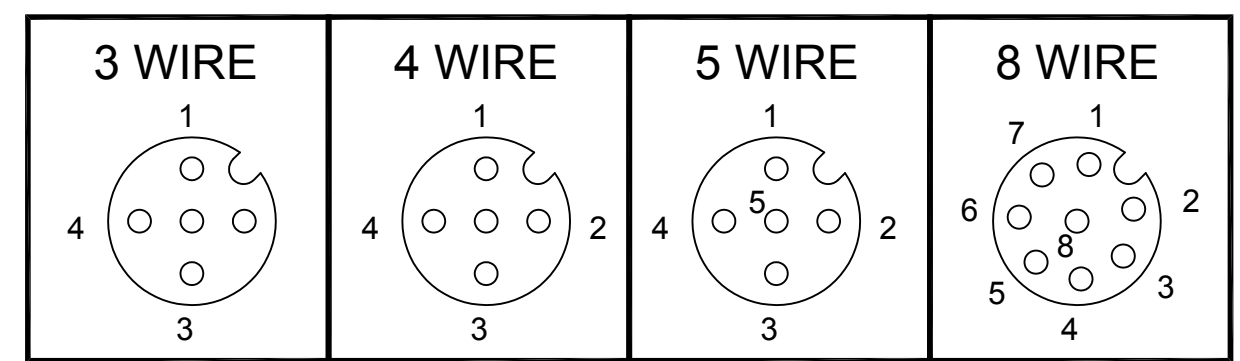
POL	MATERIAL NUMBER	ENGINEERING NUMBER
3	1200705203	8R3J400013
4	1200110237	8R4J400013
5	1200110238	8R5J400013
8	1200705210	8R8J400013

CONNECTOR SPECIFICATION:

VOLTAGE RATING	3-5P 250V / 8P 30AC/36DC
AMPERAGE RATING	4 AMPS/2A
PROTECTION	IP68
ASSEMBLY IS RoHS COMPLIANT	

ITEM	COMPONENT	MATERIAL	FINISH
5	LOCKNUT	BRASS	BRIGHT NICKEL PLATED
4	O-RING	VITON	BLACK
3	RECEPTACLE SHELLS	BRASS	BRIGHT NICKEL PLATED
2	INSERT	PUR (30% GLASS FILLED)	-
1	CONTACT	BRASS (CuZn36)	GOLD OVER NICKEL

FEMALE FACE VIEW



DESCRIPTION EC NO: WEU2010-0391 DRWN: LSTEMMLE CHKD: NS APPR: NSTAUDIG 26.02.10 2010/03/03	QUALITY SYMBOLS ▽ = 0 ∇ = 0	GENERAL TOLERANCES (UNLESS SPECIFIED) mm INCH 4 PLACES ±--- ±--- 3 PLACES ±--- ±--- 2 PLACES ±--- ±.01 1 PLACE ±0.3 ±--- ANGULAR ± --- °	DIMENSION STYLE MM DRAWN BY DATE LSTEMMLE 2010/02/15 CHECKED BY DATE FP 2010/03/01 APPROVED BY DATE NSTAUDIG 2010/03/03	SCALE 1:1 DESIGN UNITS METRIC THIRD ANGLE PROJECTION	MICRO CHANGE M12-3-8P-FE-REC-PCB BACK PANEL MOUNT MOLEX INCORPORATED
	DRAFT WHERE APPLICABLE MUST REMAIN WITHIN DIMENSIONS	SEE TABLE SIZE A3	MATERIAL NO. SD-120070-013 DOCUMENT NO.	SHEET NO. 1 OF 1	THIS DRAWING CONTAINS INFORMATION THAT IS PROPRIETARY TO MOLEX INCORPORATED AND SHOULD NOT BE USED WITHOUT WRITTEN PERMISSION