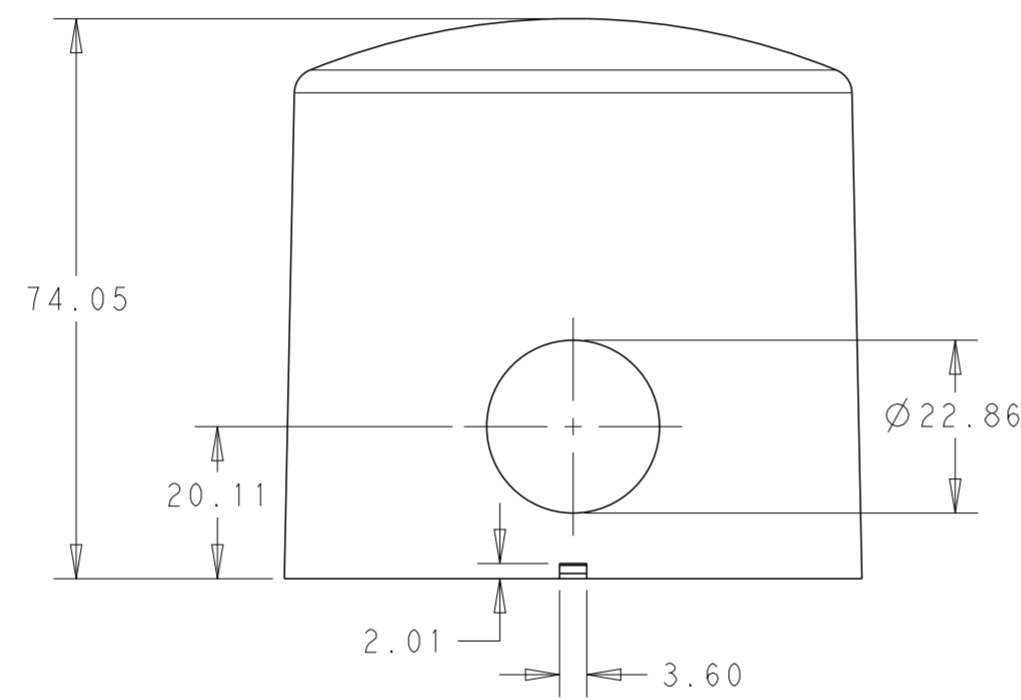
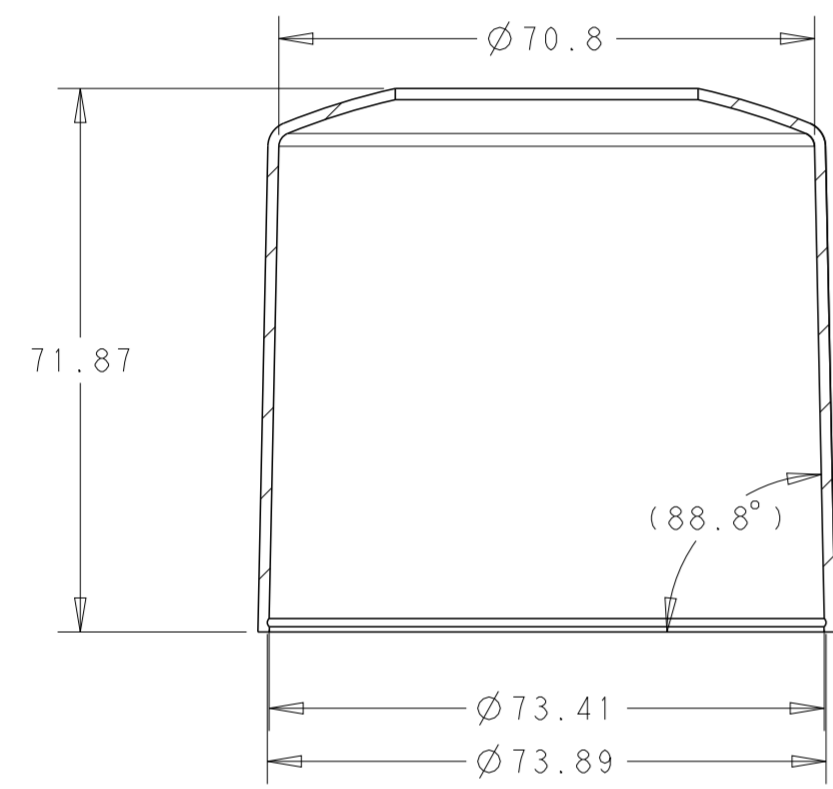
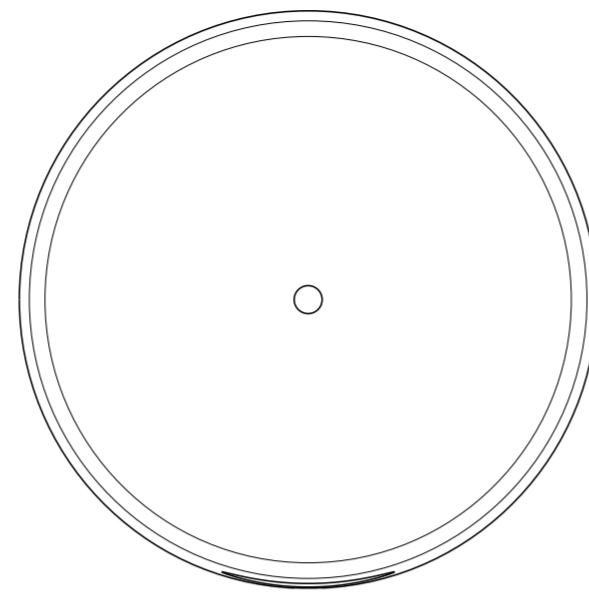
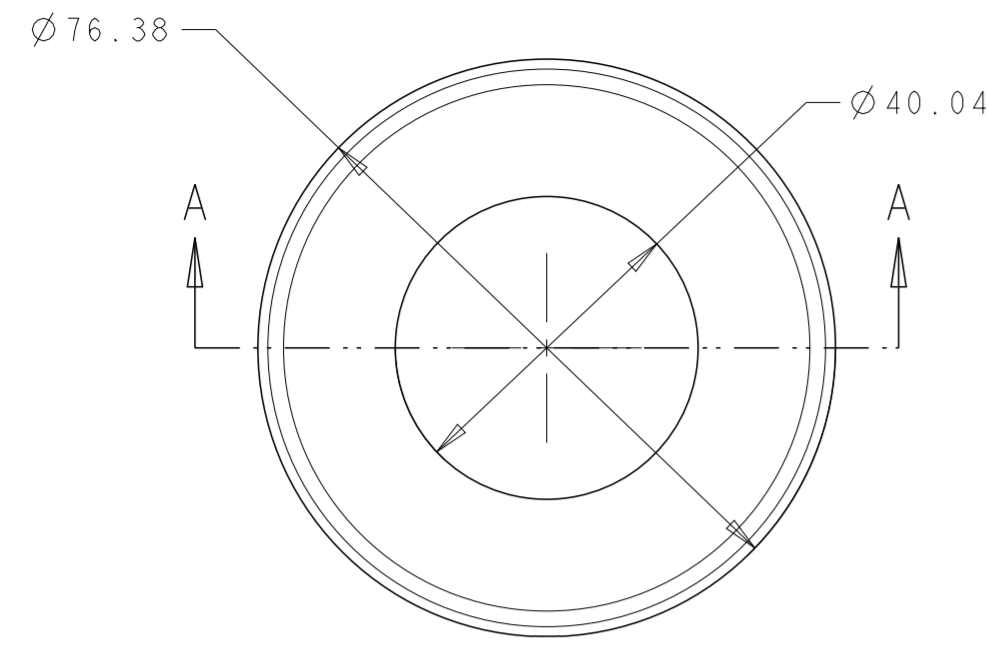


THIS DRAWING IS UNPUBLISHED. RELEASED FOR PUBLICATION 20
 © COPYRIGHT 20 BY - ALL RIGHTS RESERVED.

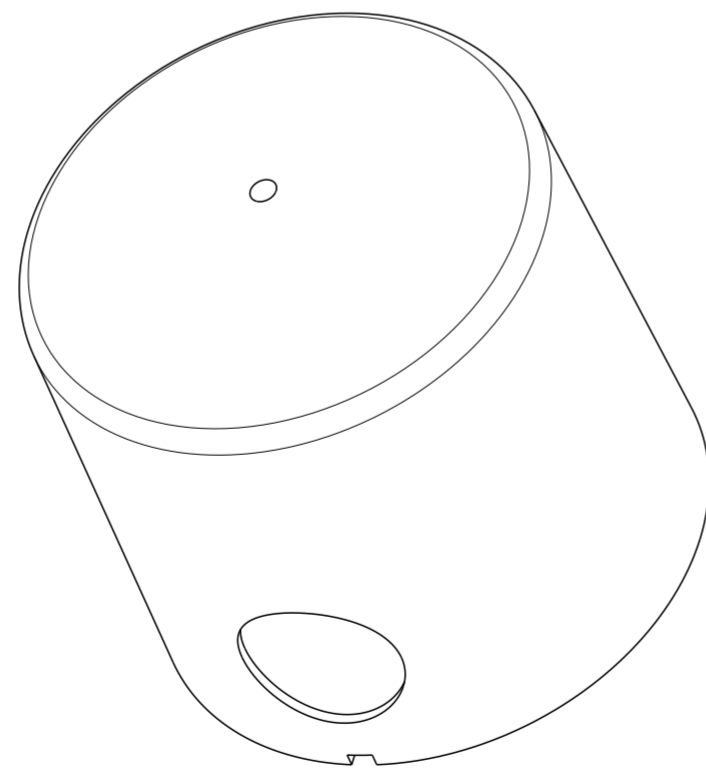
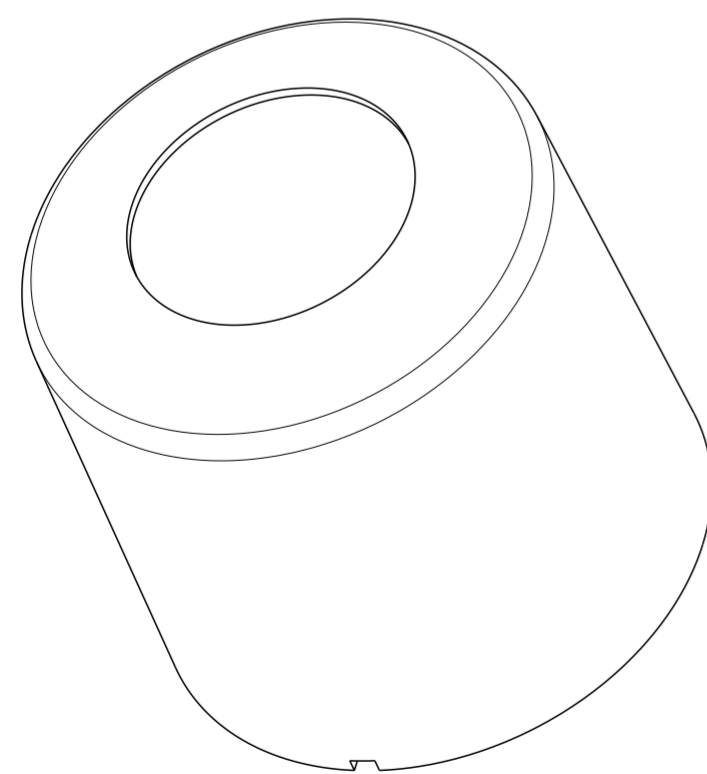
REVISIONS				
P	LTR	DESCRIPTION	DATE	APVD
A		REVISED PER ECO-17-010648	21JUL2017	RK DD
A1		REVISED PER ECO-17-014846	12OCT2017	RK DD



NOTES:

- 1 MATERIAL: PBT
- 2 MATING LIGHT CONTROLLER BASE ASSEMBLY TE P/N 2213871-2 AND 1-2213871-2.
- 3. THIS PRODUCT HAS NOT COMPLETED VALIDATION TESTING.
- 4 DOME P/N 2306130-1 OR 1-2306130-1 TO BE USED WITH SLEEVE P/N 2213996.
- 5 MAX ALLOWABLE PCB DIAMETER= \varnothing 72.00

SECTION A - A



2213996-1
SHOWN

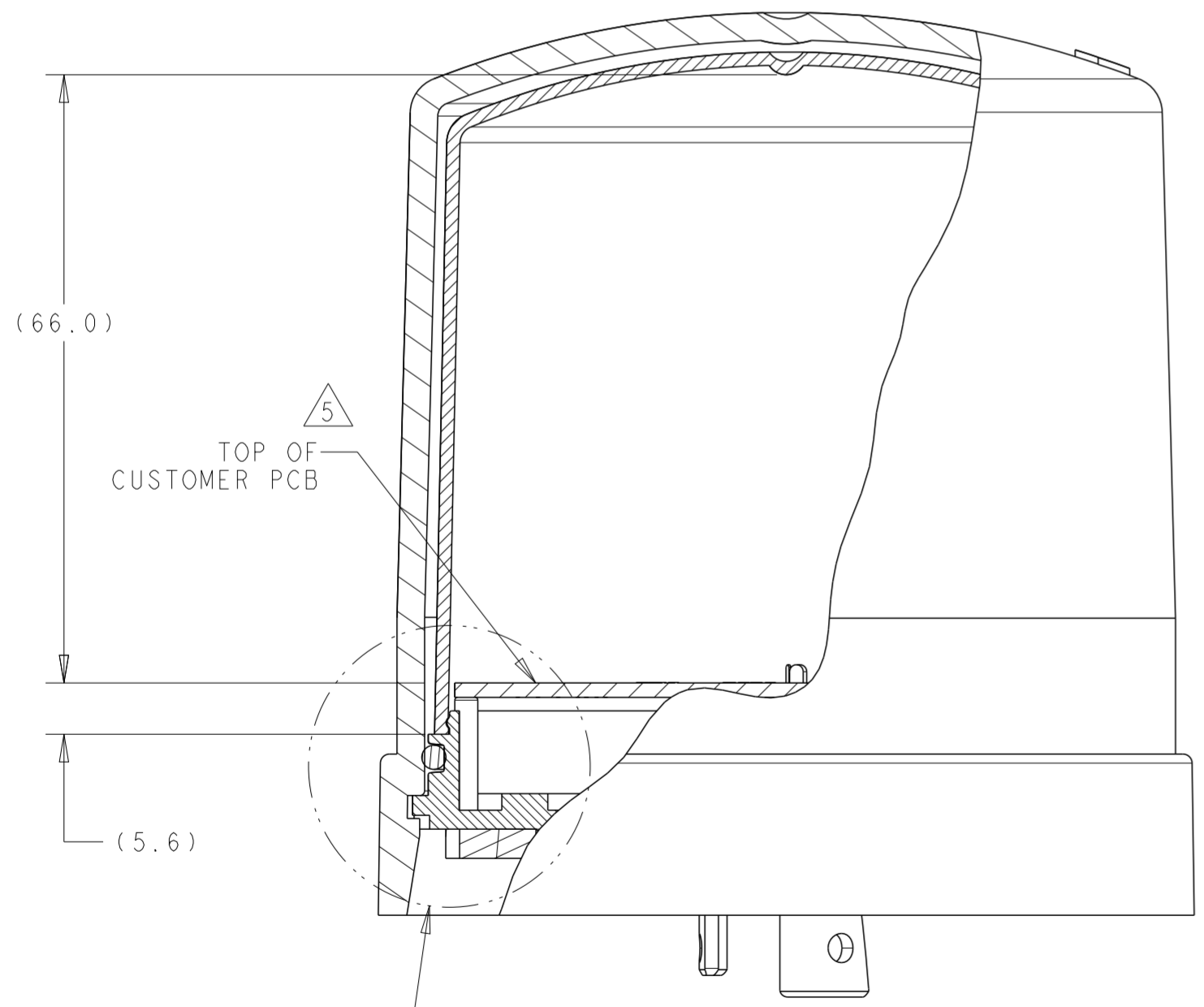
1-2213996-1
SHOWN

SIDE HOLE	JET BLACK	1-2213996-1
TOP HOLE	JET BLACK	2213996-1
DESCRIPTION	COLOR	PART NO.

THIS DRAWING IS A CONTROLLED DOCUMENT.		DWN J. SHAFFER 13JUN2016	TE Connectivity	
		CHK E. HOWARD 13JUN2016		
DIMENSIONS:	TOLERANCES UNLESS OTHERWISE SPECIFIED:	APVD	NAME	
mm	0 PLC ± 1 PLC ±0.3 2 PLC ±0.25 3 PLC ± 4 PLC ±	-	SLEEVE, CONTROLLER, LIGHT BASE, 81MM DIA	
	ANGLES ±	PRODUCT SPEC	SIZE	CAGE CODE
	FINISH -	108-32125	A2	-
MATERIAL	1	APPLICATION SPEC	DRAWING NO	RESTRICTED TO
		114-32159	G-2213996	-
		WEIGHT	SCALE	SHEET
		-	1:1	1 OF 2
		CUSTOMER DRAWING	REV	A1

THIS DRAWING IS UNPUBLISHED. RELEASED FOR PUBLICATION 20
 © COPYRIGHT 20 BY - ALL RIGHTS RESERVED.

REVISIONS					
P	LTR	DESCRIPTION	DATE	DWN	APVD
-	-	SEE SHEET 1	-	-	-



DETAIL A
SCALE 3:1

SECTION B-B
SCALE 3:2

THIS DRAWING IS A CONTROLLED DOCUMENT.		DWN J. SHAFFER 13 JUN 2016	TE Connectivity		
		CHK E. HOWARD 13 JUN 2016			
DIMENSIONS: mm		APVD -	NAME SLEEVE, CONTROLLER, LIGHT BASE, 81MM DIA		
TOLERANCES UNLESS OTHERWISE SPECIFIED: 0 PLC ± 1 PLC ±0.3 2 PLC ±0.25 3 PLC ± 4 PLC ± ANGLES ± FINISH -		PRODUCT SPEC 108-32125	SIZE A2		
MATERIAL		APPLICATION SPEC 114-32159	CAGE CODE -	DRAWING NO C-2213996	RESTRICTED TO -
		WEIGHT -	SCALE 1:1 SHEET 2 OF 2 REV A1		
		CUSTOMER DRAWING			