

NOTES:

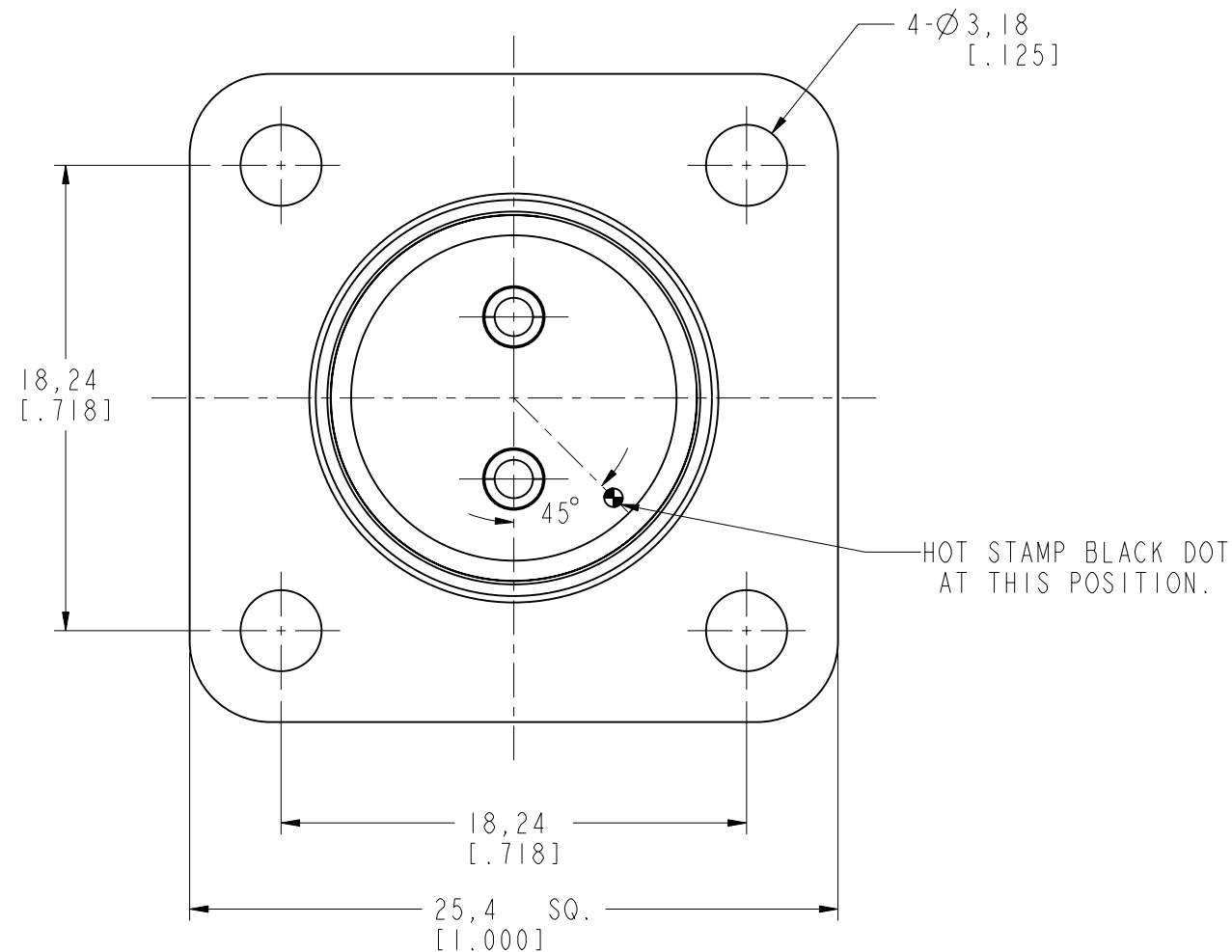
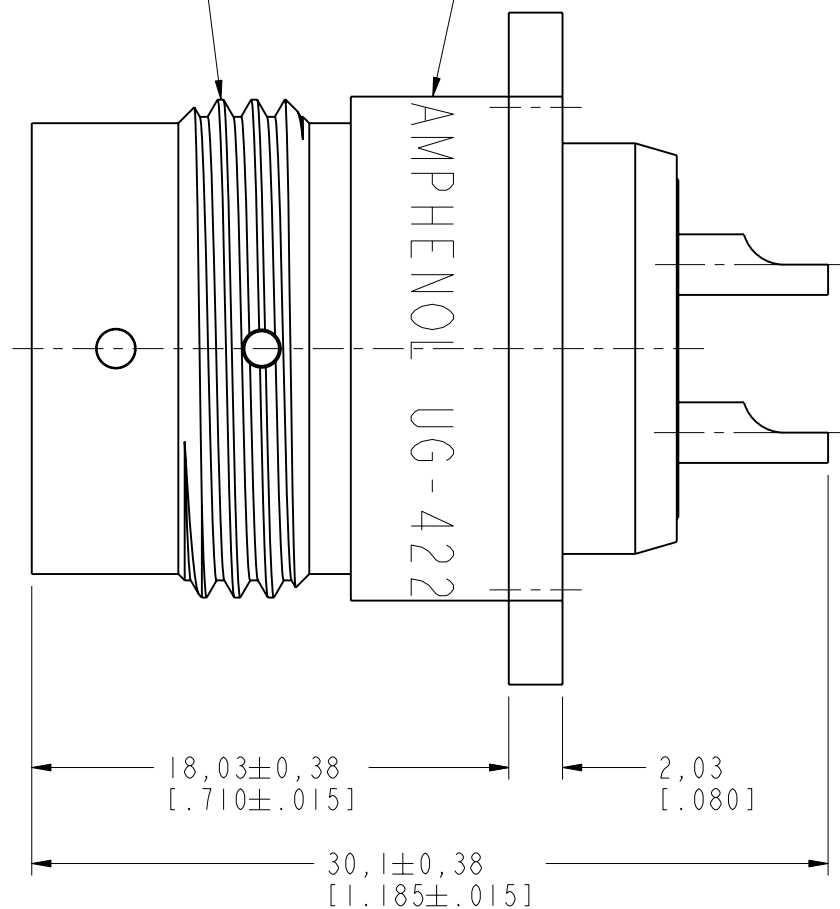
- 1. MATERIALS AND FINISHES:
- BODY - BRASS, SILVER PLATING
- CONTACT - BERYLLIUM COPPER, SILVER PLATING
- INSULATOR - COPOLYMER OF STYRENE

THIRD ANGLE PROJ.

REVISIONS

REV	DESCRIPTION	DATE	ECO	APPR
	RELEASE TO MFG.			
Z	REDRAWN TO UPDATE FORMAT	30-Jun-08	47174	J.WU
AA	STAMP "AMPHENOL" WAS "74868" \RD-DMI2092001R3	24-Oct-12	49077	DH

3/4-20UNEF-2A STAMP 'AMPHENOL UG-422/U"



CUSTOMER OUTLINE DRAWING

ALL OTHER SHEETS ARE FOR INTERNAL USE ONLY

<p>UNLESS OTHERWISE SPECIFIED, DIMENSIONS ARE IN METRIC AND TOLERANCES ARE:</p> <table border="0"> <tr> <td>< 0.5mm</td> <td>0.5 - 6mm</td> <td>6 - 30mm</td> <td>30 - 120mm</td> <td>ANGLES</td> </tr> <tr> <td>± 0.05mm</td> <td>± 0.1mm</td> <td>± 0.2mm</td> <td>± 0.3mm</td> <td>± 1°</td> </tr> </table>	< 0.5mm	0.5 - 6mm	6 - 30mm	30 - 120mm	ANGLES	± 0.05mm	± 0.1mm	± 0.2mm	± 0.3mm	± 1°	<p>MATERIAL</p> <p>-</p>	<p>DRAWN</p> <p>R.MAO</p>	<p>DATE</p> <p>09-Jul-12</p>	<p>TITLE</p> <p>TWINAX RECEPTACLE</p> <p>PANEL MTG. UG-422/U</p>	<p>Amphenol RF</p> <p>www.amphenolrf.com</p>
	< 0.5mm	0.5 - 6mm	6 - 30mm	30 - 120mm	ANGLES										
± 0.05mm	± 0.1mm	± 0.2mm	± 0.3mm	± 1°											
<p>NOTICE - These drawings, specifications, or other data (1) are, and remain the property of Amphenol corp. (2) must be returned upon request; and (3) are confidential and not to be disclosed to any person other than those to whom they are given by Amphenol Corp. the furnishing of these drawings, specifications, or other data by Amphenol Corp., or to any other person to anyone for any purpose is not to be regarded by implication or otherwise in any manner licensing, granting rights to permitting such holder or any other person to manufacture, use or sell any product, process or design, patented or otherwise, that may in any way be related to or disclosed by said drawings, specifications, or other data.</p>	<p>REFERENCE</p> <p>S.HSIEH</p>	<p>DATE</p> <p>31-May-03</p>	<p>SCALE: 3.5:1.0</p>	<p>SHEET 2 OF 2</p>	<p>DRAWING NO. 6225</p>										
	<p>CONFIGURATION LEVEL:</p>	<p>APPROVED</p> <p>S.HSIEH</p>	<p>DATE</p> <p>09-Jul-12</p>	<p>DWG SIZE</p> <p>B</p>	<p>REV</p> <p>AA</p>	<p>ITEM NO. 6225</p>									
	<p>FINISH</p>	<p>CAD FILE</p>				<p>PART NO. 6225</p>									