

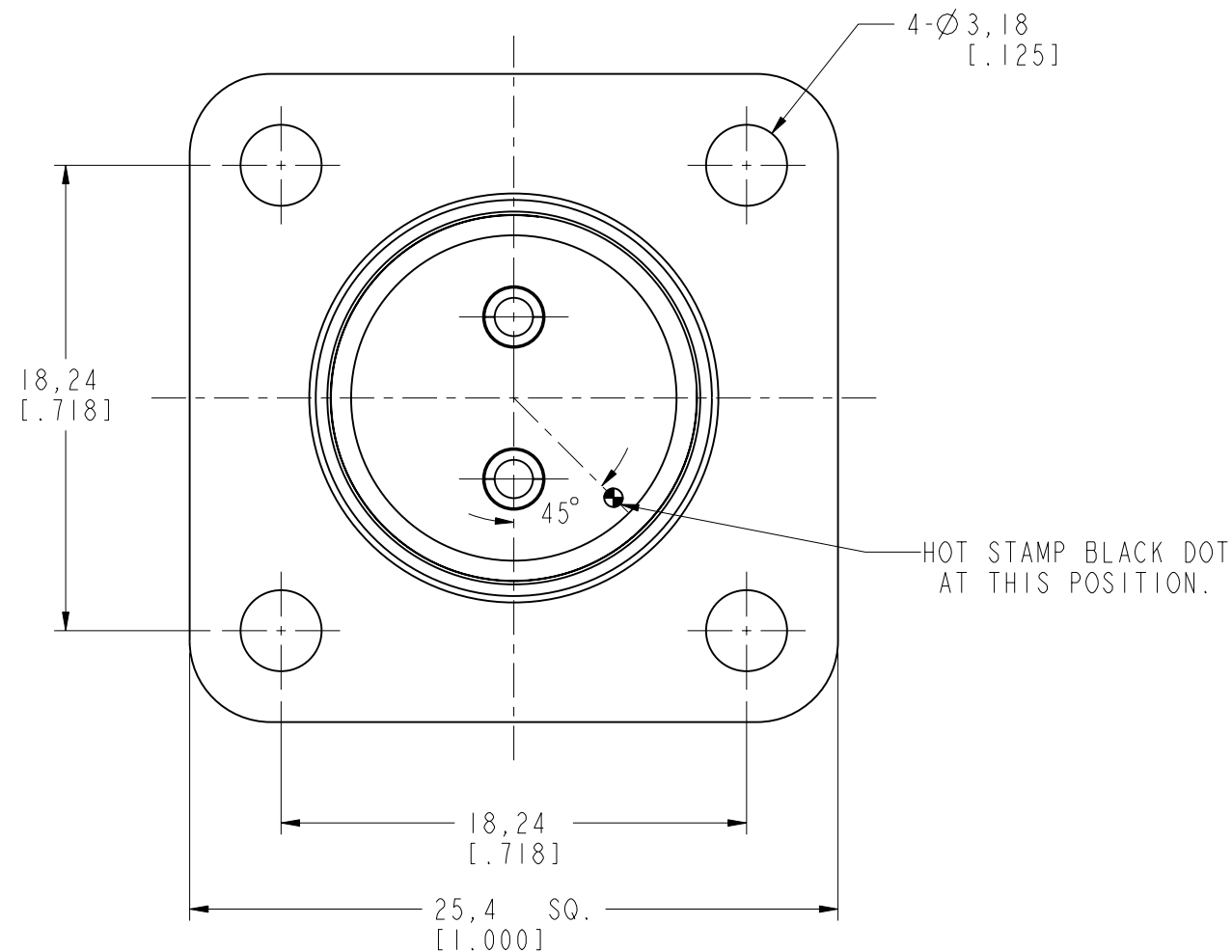
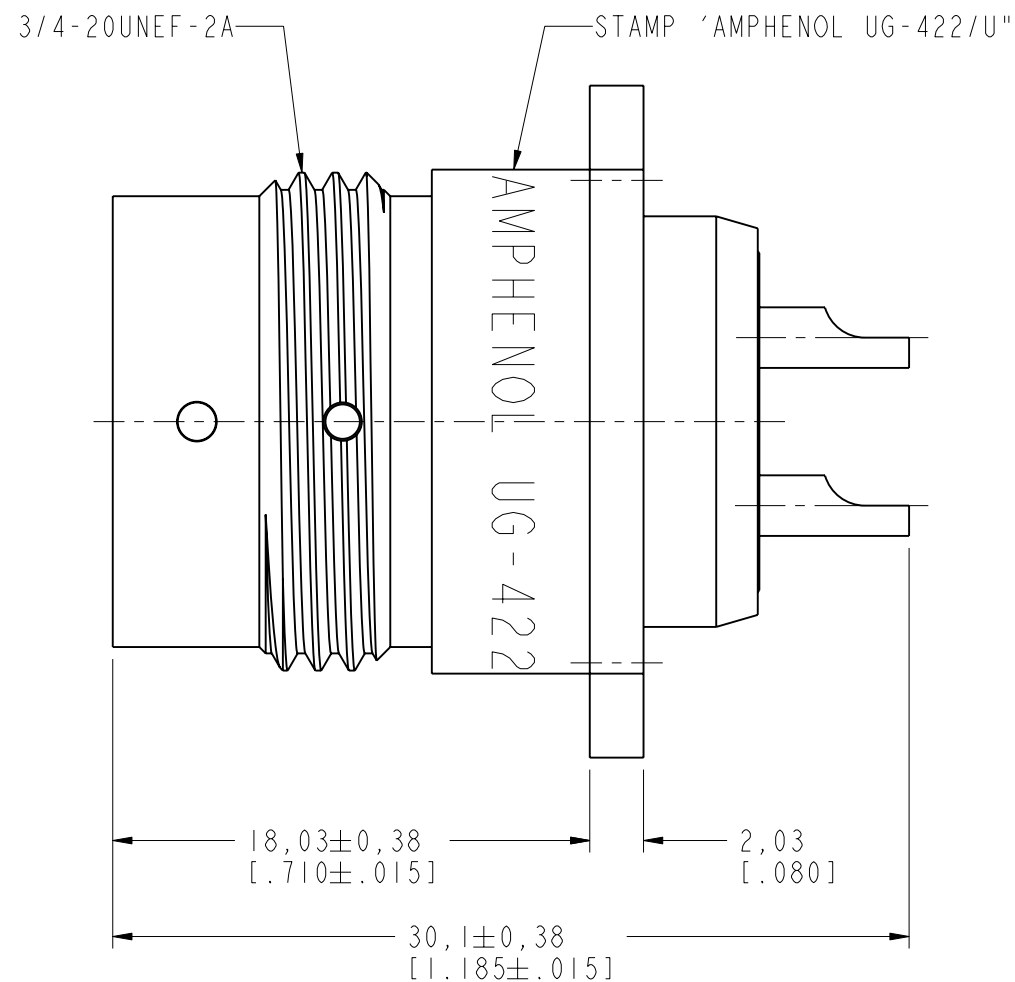
NOTES:

- 1. MATERIALS AND FINISHES:
 BODY - BRASS, SILVER PLATING
 CONTACT - BERYLLIUM COPPER, SILVER PLATING
 INSULATOR - COPOLYMER OF STYRENE

THIRD ANGLE PROJ.

REVISIONS

REV	DESCRIPTION	DATE	ECO	APPR
	RELEASE TO MFG.			
Z	REDRAWN TO UPDATE FORMAT	30-Jun-08	47174	J.WU
AA	STAMP "AMPHENOL" WAS "74868"\RD-DMI2092001R3	24-Oct-12	49077	DH



CUSTOMER OUTLINE DRAWING

ALL OTHER SHEETS ARE FOR INTERNAL USE ONLY

UNLESS OTHERWISE SPECIFIED, DIMENSIONS ARE IN METRIC AND TOLERANCES ARE:
 <0.5mm ±0.05mm 0.5 - 6mm ±0.1mm 6 - 30mm ±0.2mm 30 - 120mm ±0.3mm ANGLES ±1°

NOTICE - These drawings, specifications, or other data (1) are, and remain the property of Amphenol corp. (2) must be returned upon request; and (3) are confidential and not to be disclosed to any person other than those to whom they are given by Amphenol Corp. the furnishing of these drawings, specifications, or other data by Amphenol Corp., or to any other person to anyone for any purpose is not to be regarded by implication or otherwise in any manner licensing, granting rights to permitting such holder or any other person to manufacture, use or sell any product, process or design, patented or otherwise, that may in any way be related to or disclosed by said drawings, specifications, or other data.

MATERIAL	
REFERENCE	
CONFIGURATION LEVEL:	
FINISH	

DRAWN R.MAO	DATE 09-Jul-12
ENGINEER N.CAO	DATE 31-May-03
APPROVED S.HSIEH	DATE 09-Jul-12
CAD FILE	

TITLE TWINAX RECEPTACLE PANEL MTG. UG-422/U	
SCALE: 3.5:1.0	SHEET 2 OF 2
DWG SIZE B	REV AA

Amphenol RF www.amphenolrf.com	
DRAWING NO.	6225
ITEM NO.	6225
PART NO.	6225