

NOTES:

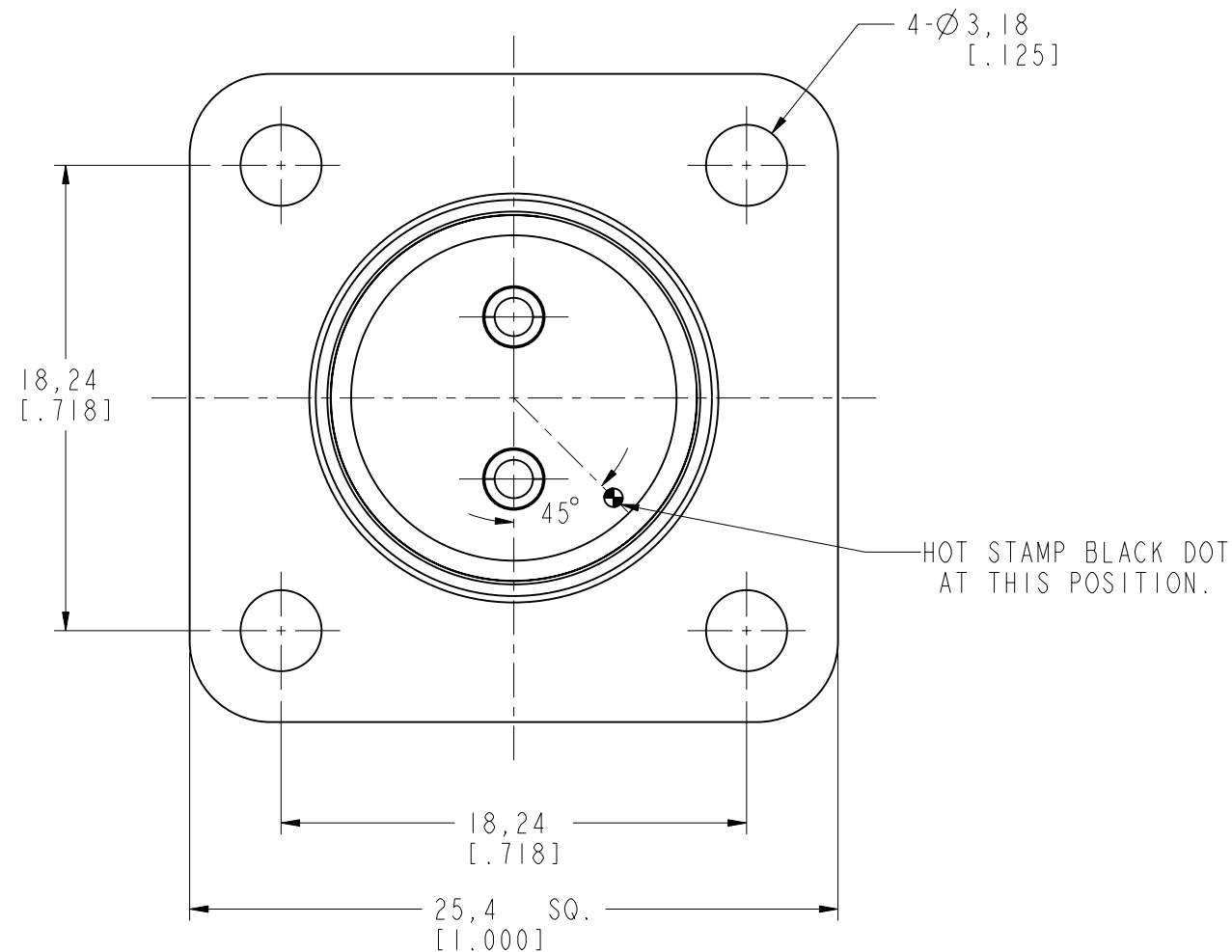
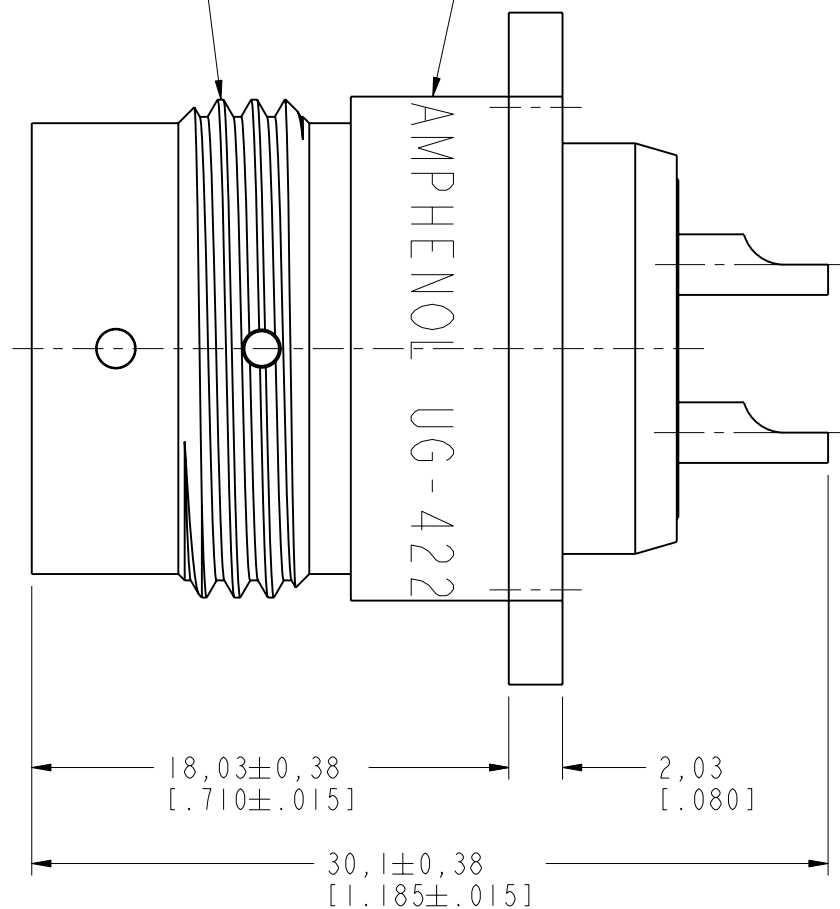
- 1. MATERIALS AND FINISHES:  
 BODY - BRASS, SILVER PLATING  
 CONTACT - BERYLLIUM COPPER, SILVER PLATING  
 INSULATOR - COPOLYMER OF STYRENE

THIRD ANGLE PROJ.

REVISIONS

REV	DESCRIPTION	DATE	ECO	APPR
	RELEASE TO MFG.			
Z	REDRAWN TO UPDATE FORMAT	30-Jun-08	47174	J.WU
AA	STAMP "AMPHENOL" WAS "74868" \RD-DMI2092001R3	24-Oct-12	49077	DH

3/4-20UNEF-2A STAMP 'AMPHENOL UG-422/U"



**CUSTOMER OUTLINE DRAWING**

ALL OTHER SHEETS ARE FOR INTERNAL USE ONLY

UNLESS OTHERWISE SPECIFIED, DIMENSIONS ARE IN METRIC AND TOLERANCES ARE: < 0.5mm ± 0.05mm    0.5 - 6mm ± 0.1mm    6 - 30mm ± 0.2mm    30 - 120mm ± 0.3mm    ANGLES ± 1°	MATERIAL	DRAWN R. MAO	DATE 09-Jul-12	TITLE TWINAX RECEPTACLE PANEL MTG. UG-422/U	Amphenol RF www.amphenolrf.com
	REFERENCE	ENGINEER N. CAO	DATE 31-May-03		
NOTICE - These drawings, specifications, or other data (1) are, and remain the property of Amphenol corp. (2) must be returned upon request; and (3) are confidential and not to be disclosed to any person other than those to whom they are given by Amphenol Corp. the furnishing of these drawings, specifications, or other data by Amphenol Corp., or to any other person to anyone for any purpose is not to be regarded by implication or otherwise in any manner licensing, granting rights to permitting such holder or any other person to manufacture, use or sell any product, process or design, patented or otherwise, that may in any way be related to or disclosed by said drawings, specifications, or other data.	CONFIGURATION LEVEL:	APPROVED S. HSIEH	DATE 09-Jul-12	SCALE: 3.5:1.0	SHEET 2 OF 2
	FINISH	CAD FILE	DWG SIZE B	REV AA	DRAWING NO. 6225
				PART NO. 6225	