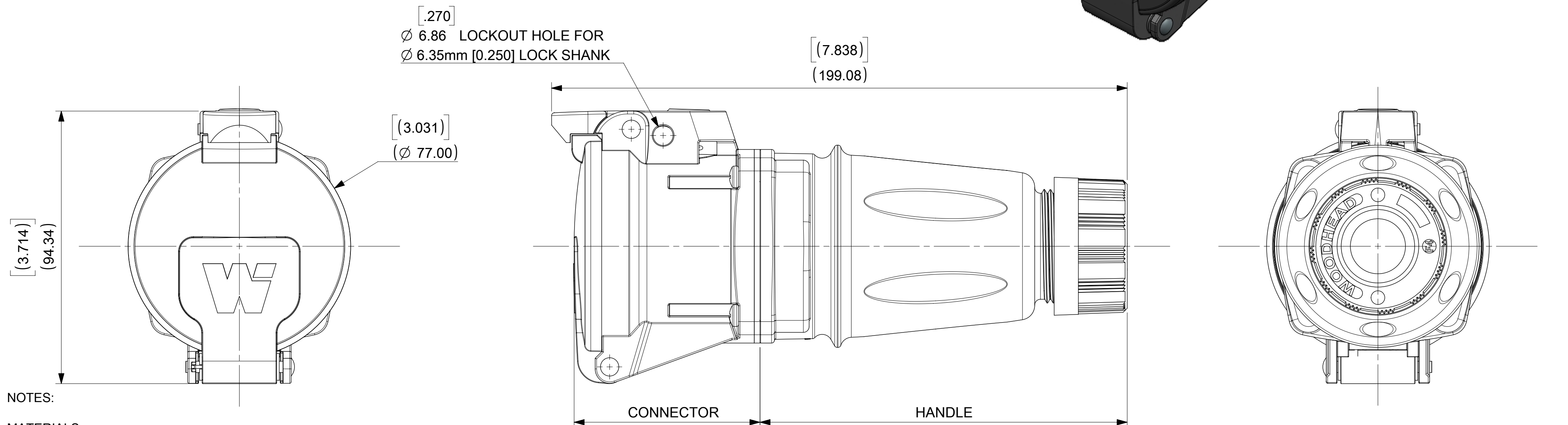
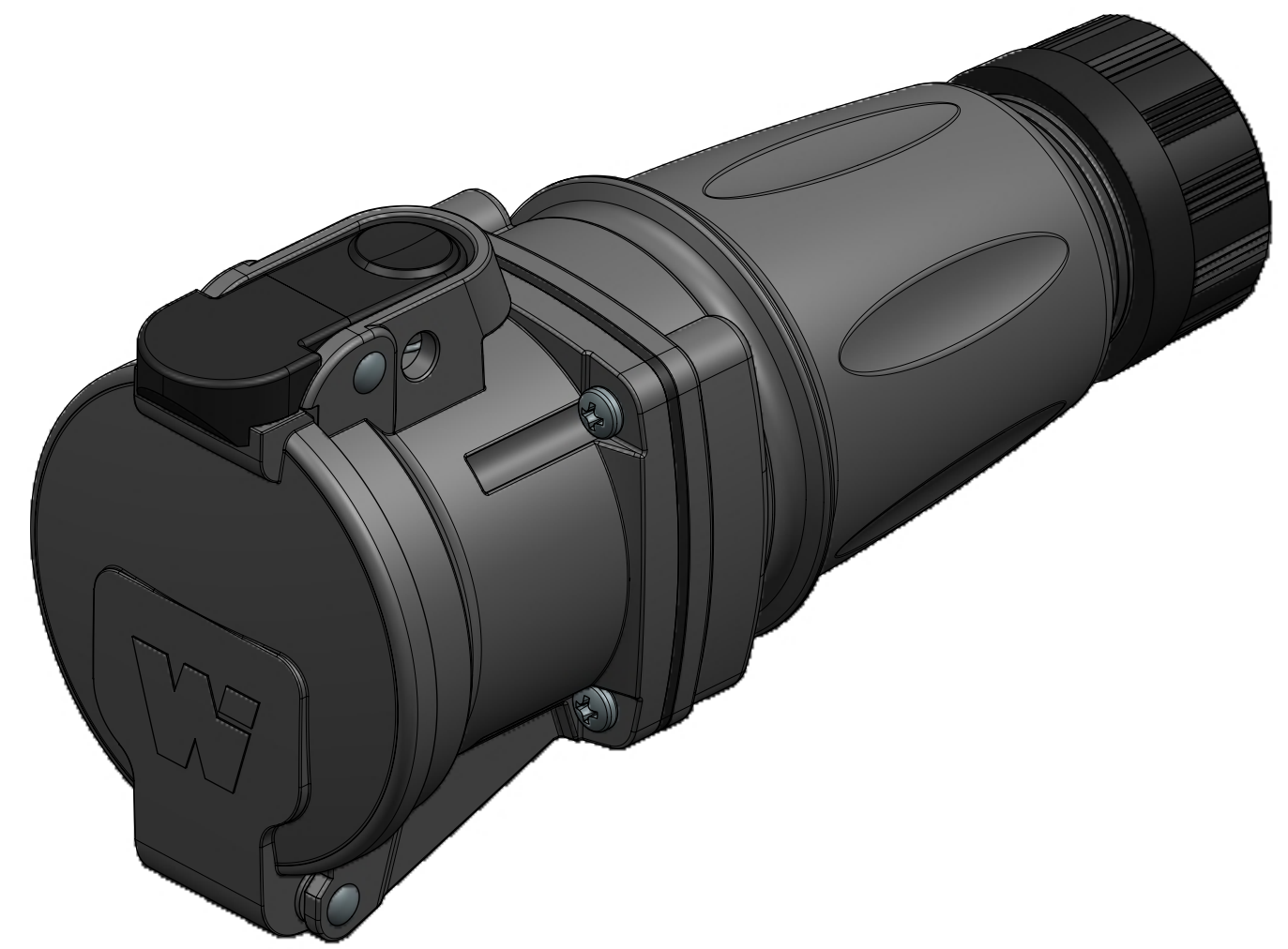


MATERIAL NUMBER	ENG NO.	DESCRIPTION	INSULATOR KEYING POSITION	HORSEPOWER RATING
1122190029	ARC30FHA01	ARC 30A FH 125VAC 1P+N+G	7	1 HP
1122190030	ARC30FHB02	ARC 30A FH 250VAC 2P+G		3 HP
1122190031	ARC30FHB03	ARC 30A FH 250VAC 3P+G		5 HP
1122190032	ARC30FHAB04	ARC 30A FH 125/250VAC 2P+N+G		NA
1122190033	ARC30FHC02	ARC 30A FH 208VAC 2P+G	16	NA
1122190034	ARC30FHC03	ARC 30A FH 208VAC 3P+G		5 HP
1122190035	ARC30FHAC05	ARC 30A FH 120/208VAC 3P+N+G		NA
1122190036	ARC30FHD01	ARC 30A FH 277VAC 1P+N+G	4	NA
1122190037	ARC30FHE02	ARC 30A FH 480VAC 2P+G		NA
1122190038	ARC30FHE03	ARC 30A FH 480VAC 3P+G		10 HP
1122190039	ARC30FHDE05	ARC 30A FH 277/480VAC 3P+N+G		NA
1122190040	ARC30FHF02	ARC 30A FH 600VAC 2P+G	14	NA
1122190041	ARC30FHF03	ARC 30A FH 600VAC 3P+G		NA
1122190042	ARC30FHGF05	ARC 30A FH 347/600VAC 3P+N+G		NA



NOTES:

MATERIALS:

- HOUSINGS AND INSULATORS: GLASS FILLED PBT
- CONTACTS: COPPER ALLOY WITH A SILVER NICKEL TIP, SILVER PLATED
- MOUNTING AND INTERFACE GASKETS: SILICONE
- GROMMET - RUBBER
- FRICTION RING - NATURAL POLYETHYLENE
- COMPRESSION NUT - BLACK PBT
- SELF TAPPING SCREWS - STAINLESS STEEL

RATINGS:

- CURRENT: 30 AMPS
- VOLTAGE AND HORSEPOWER: SEE TABLE
- OPERATING TEMPERATURE: -25°C (-13°F) TO 60°C (140°F)
- ENVIRONMENTAL: TYPE 4X, IP69K
- WIRING CAPACITY: 12AWG MIN. TO 8 AWG MAX.
- TORQUE TERMINAL SCREWS TO 1.7 N-M (15 in/lbs)
- AGENCY: UL LISTING PENDING
- SWITCH RATED RECEPTACLE/CONNECTOR
- BRANCH CIRCUIT DISCONNECT SWITCH
- MOTOR CIRCUIT DISCONNECT SWITCH IF HP RATED

CONNECTOR AND HANDLE ARE PACKAGED AS SUB-ASSEMBLIES AND WILL REQUIRE END USER ASSEMBLY.

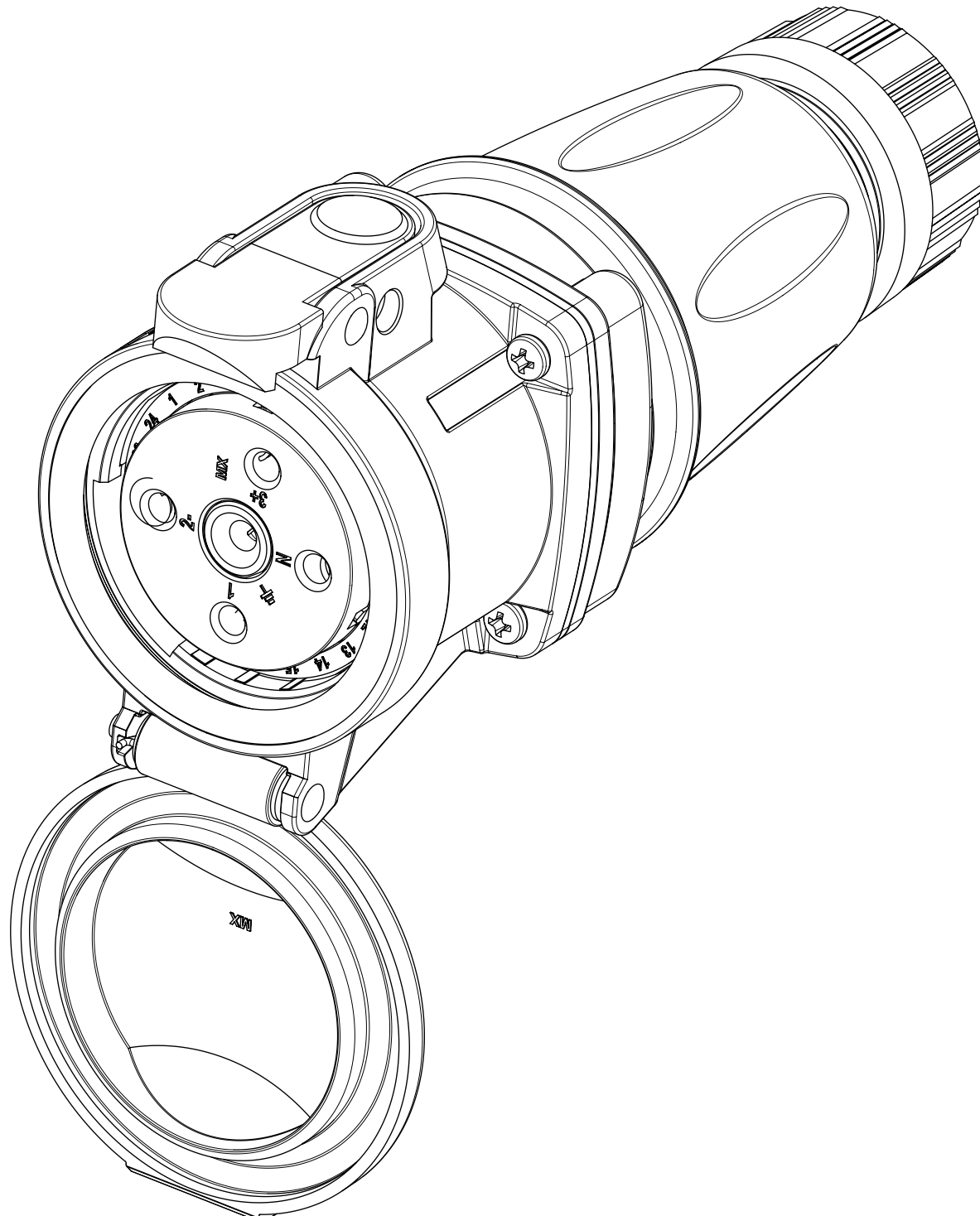
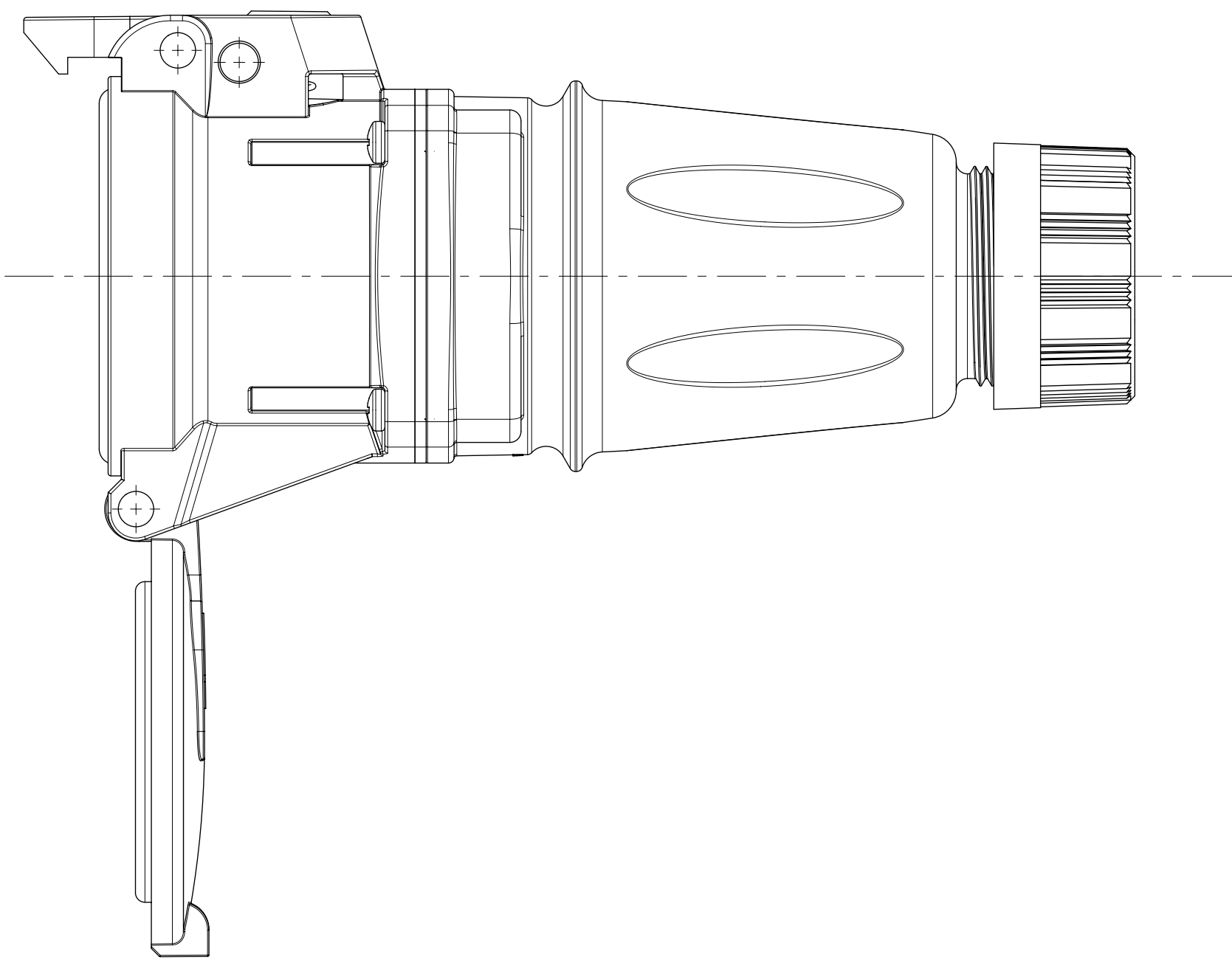
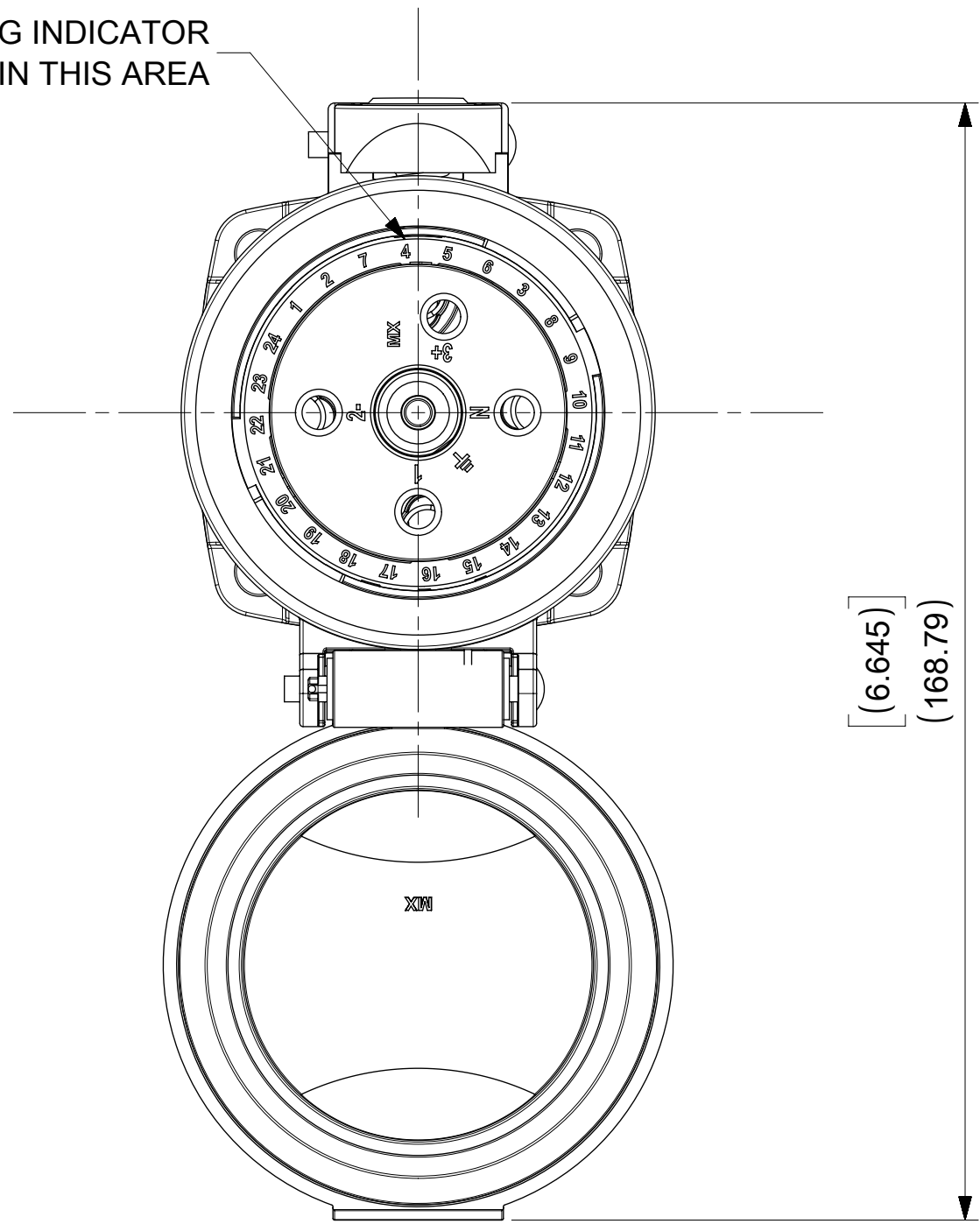
THIS DRAWING REPLACES SD-112219-003.

ARC30FHE03 SHOWN

GROMMET P/N	GROMMET COLOR	CABLE DIAMETER RANGE
1301800411	GRAY	12.7mm - 15.9mm (.500" - .625")
1301800283	ORANGE	15.9mm - 19.0mm (.625" - .750")
1301800413	BLACK	19.0mm - 22.2mm (.750" - .875")

<b>SYMBOLS</b> = 0 = 0 = 0 = 0 = 0 = 0 = 0 = 0 = 0 = 0	THIS DRAWING CONTAINS INFORMATION THAT IS PROPRIETARY TO MOLEX ELECTRONIC TECHNOLOGIES, LLC AND SHOULD NOT BE USED WITHOUT WRITTEN PERMISSION DIMENSION UNITS: <b>INCH</b> SCALE: <b>1:1</b> CURRENT REV/DESC: ADDED 10HP,NEW NOTES	 ARC 30A FH 480VAC 3P+G PRODUCT CUSTOMER DRAWING	
	GENERAL TOLERANCES (UNLESS SPECIFIED) EC NO: 604773 DRWN: MJANTELEZIO 2018/09/20 CHK'D: JFMURPHY 2018/11/05 APPR: JFMURPHY 2018/11/05		DOCUMENT NUMBER: <b>1122190038</b> DOC TYPE: PSD DOC PART: 000 REVISION: <b>B2</b>
	4 PLACES ± ± 3 PLACES ± ± 2 PLACES ± ± 1 PLACE ± ± 0 PLACES ± ±		INITIAL REVISION: DRWN: DRWN BY XXXX/XX/XX APPR: APPR BY XXXX/XX/XX
	ANGULAR TOL ± ° DRAFT WHERE APPLICABLE MUST REMAIN WITHIN DIMENSIONS THIRD ANGLE PROJECTION DRAWING: <b>C-SIZE</b> SERIES: <b>112219</b>		MATERIAL NUMBER: GENERAL MARKET CUSTOMER: GENERAL MARKET SHEET NUMBER: 1 OF 2

INSULATOR KEYING INDICATOR  
LOCATED IN THIS AREA



ARC30FHE03 SHOWN

<b>SYMBOLS</b> DIMENSION UNITS SCALE CURRENT REV DESC: ADDED 10HP,NEW NOTES EC NO: 604773 DRWN: MJANTELEZIO 2018/09/20 CHK'D: JFMURPHY 2018/11/05 APPR: JFMURPHY 2018/11/05 INITIAL REVISION: DRWN: DRWN BY XXXX/XX/XX APPR: APPR BY XXXX/XX/XX DRAFT WHERE APPLICABLE MUST REMAIN WITHIN DIMENSIONS THIRD ANGLE PROJECTION DRAWING SERIES C-SIZE 112219 MATERIAL NUMBER CUSTOMER GENERAL MARKET SHEET NUMBER 2 OF 2	THIS DRAWING CONTAINS INFORMATION THAT IS PROPRIETARY TO MOLEX ELECTRONIC TECHNOLOGIES, LLC AND SHOULD NOT BE USED WITHOUT WRITTEN PERMISSION		<b>molex</b>  ARC 30A FH 480VAC 3P+G		
	INCH 1:1				
	GENERAL TOLERANCES (UNLESS SPECIFIED)		PRODUCT CUSTOMER DRAWING		
	4 PLACES ±	MM	INCH	DOCUMENT NUMBER <b>1122190038</b>	
	3 PLACES ±			DOC TYPE	DOC PART
	2 PLACES ±			PSD	000
	1 PLACE ±				B2
	0 PLACES ±				
	ANGULAR TOL ± °				