

# Board Level Cooling – Square Basket 5040



## BOARD LEVEL COOLING - Square Basket 5040

Square Basket 5040 is a series of square basket board level heat sinks designed to cool TO-3 devices. Representative image only.



## ORDERING INFORMATION

Part Number	Device Type
505403B00000G	TO-3
505403B00100G	TO-3

## HEAT SINK DETAILS

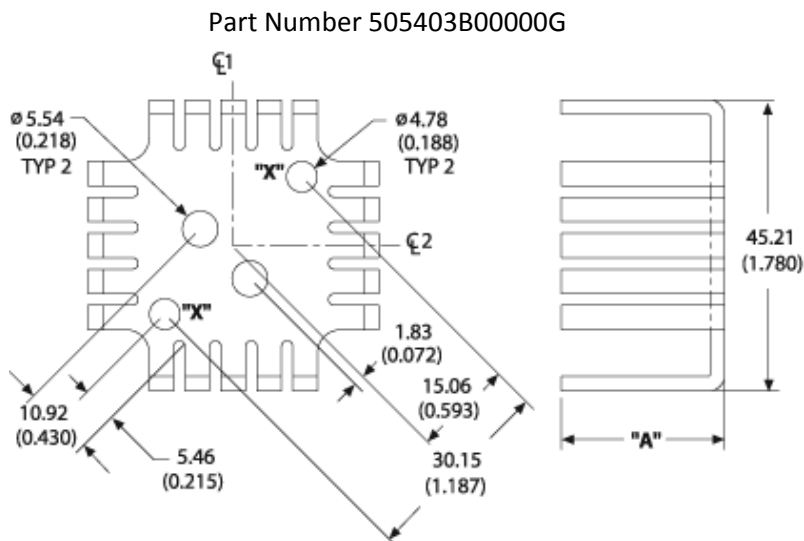
Property	Details
Material	Aluminum
Finish	Black Anodize
Device Attachment Options	Requires Mounting Kit
Thermal Interface Material	-

Property	Details
Heat Sink Width (mm)	45.21
Heat Sink Length (mm)	45.21
Heat Sink Height (mm)	31.75
Heat Sink Mounting Direction	Horizontal

## MECHANICAL & PERFORMANCE

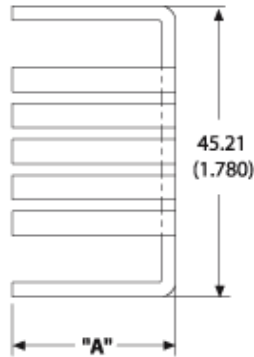
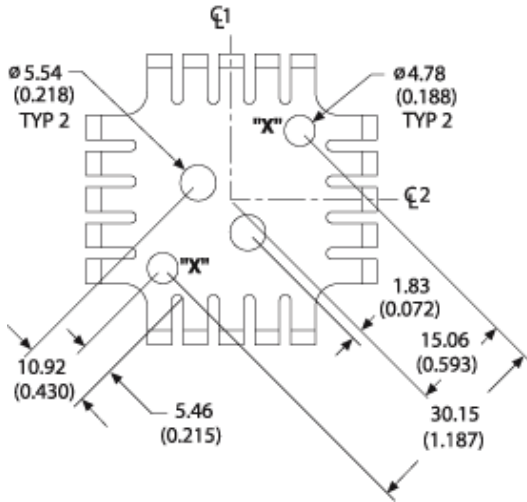
Drawing dimensions are shown in mm, (in)

Part Number	"A" Dim	"Z" Dim
505403B00000G	31.75	-
505403B00100G	31.75	4.75 (0.187)



# Board Level Cooling – Square Basket 5040

Part Number: 505403B00100G



*Mounting Details:*

