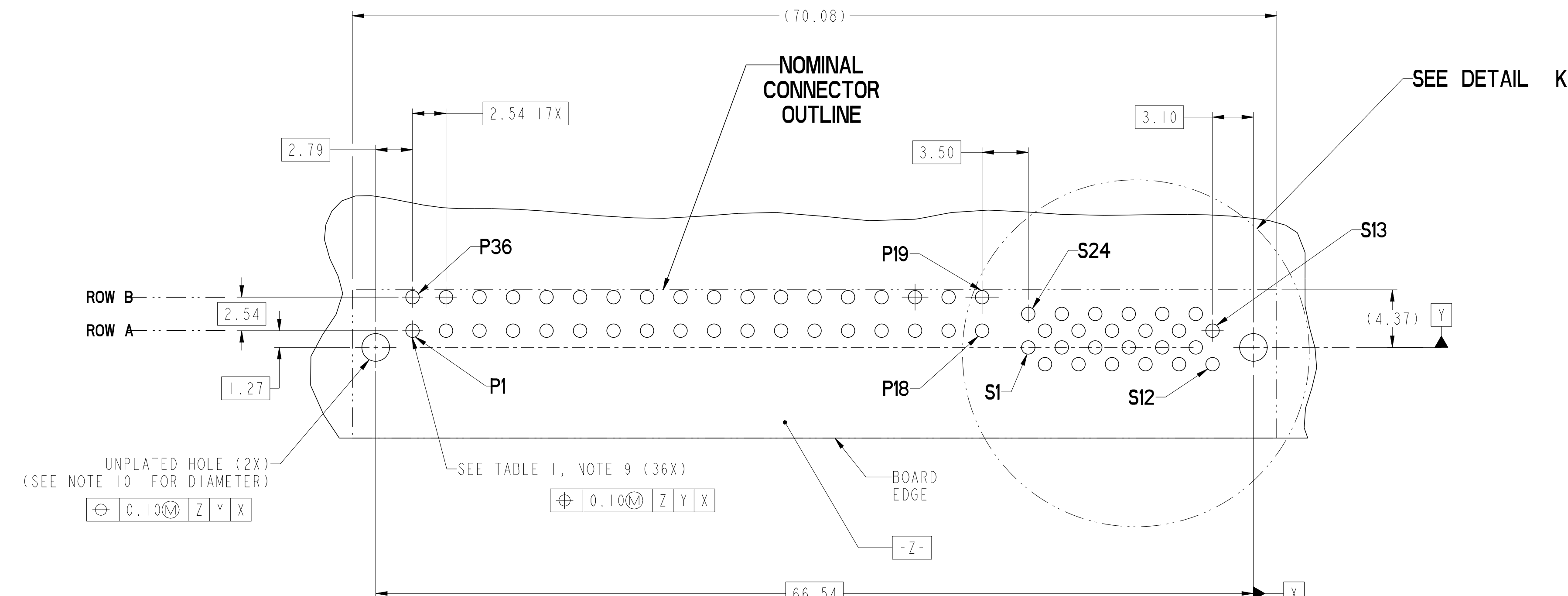


| | | | | | | | | | | |
|---------------------------------------|------------|-------------|----------------|------------|----------------|--------------|------------------------|----------------|-------|-----|
| spec ref | - | dr | Chris Gieski | 2010/08/27 | projection | MM | size | A2 | scale | 4:1 |
| tolerance std | ASME Y14.5 | eng | De-Ming Lu | 2014/06/05 | | | ecn no | ELX-DG-17838-1 | | |
| TOLERANCES UNLESS OTHERWISE SPECIFIED | | chr | - | rel level | | | Released | | | |
| surface | linear | appr | Pei-Ming Zheng | 2014/06/05 | product family | HPCE | rel level | Blue | | |
| ASME Y14.5 | angular | 0° | ±0° | 0.X ±0.3 | 0.XX ±0.10 | 0.XXX ±0.050 | dwg no | 10115859 | | |
| | | www.fci.com | | cat. no. | - | | Product - Customer Drw | sheet 1 of 4 | | |

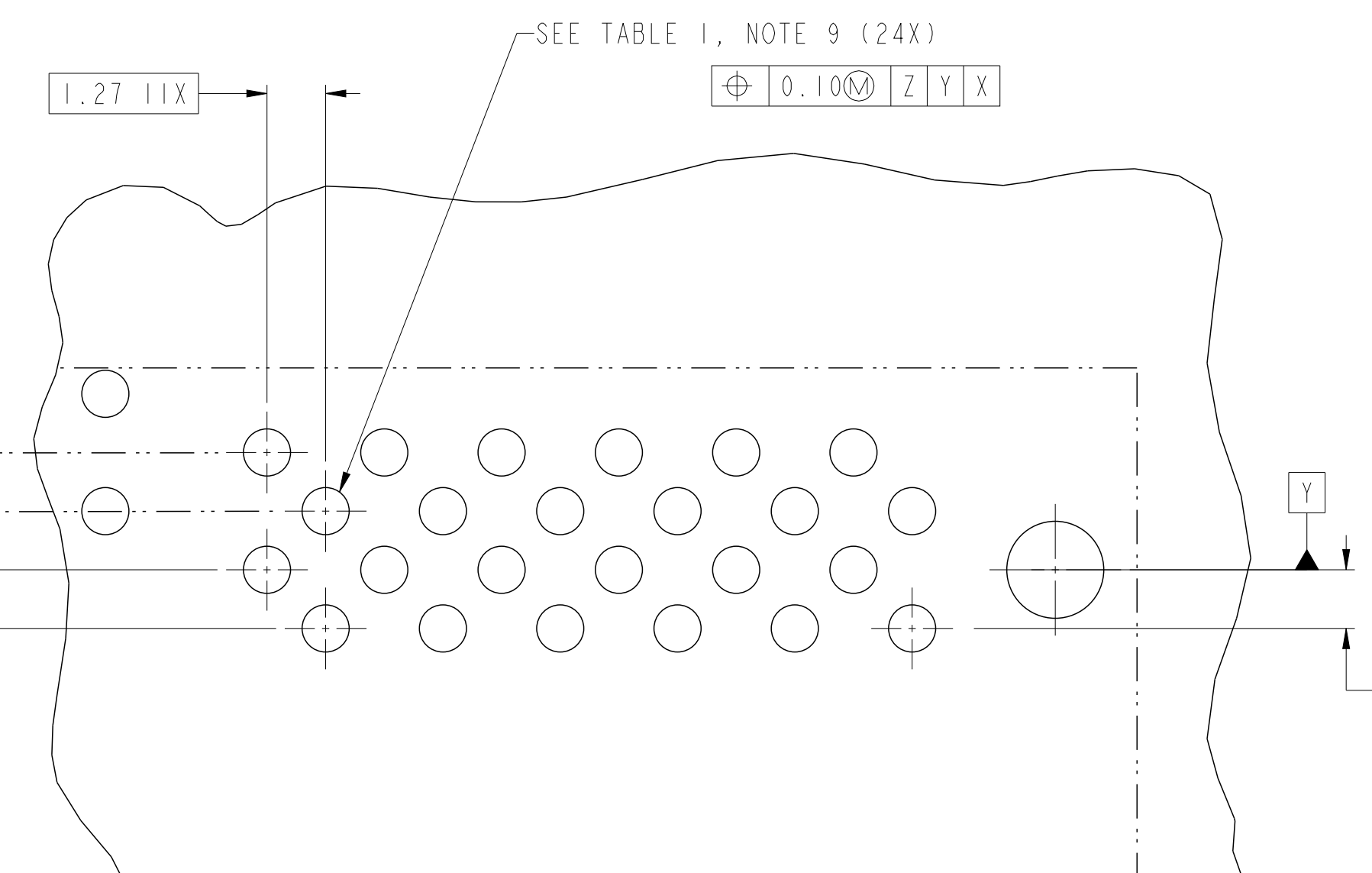


UNPLATED HOLE (2X)
(SEE NOTE 10 FOR DIAMETER)

$\text{⌀} 0.10\text{M}$ Z Y X

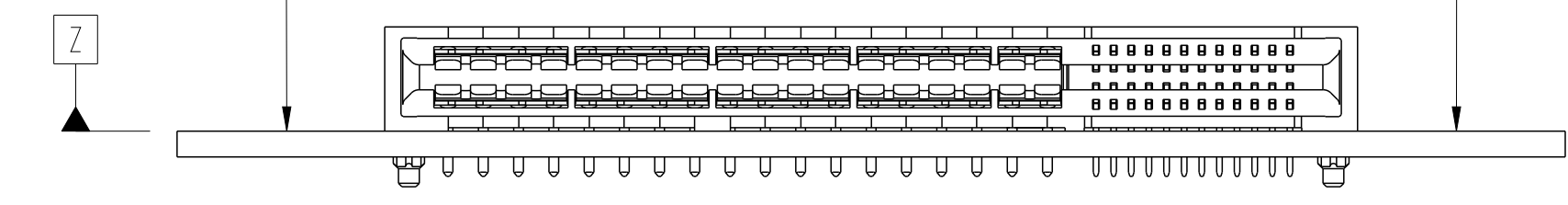
SEE TABLE 1, NOTE 9 (36X)

$\text{⌀} 0.10\text{M}$ Z Y X



DETAIL K
SCALE 8:1

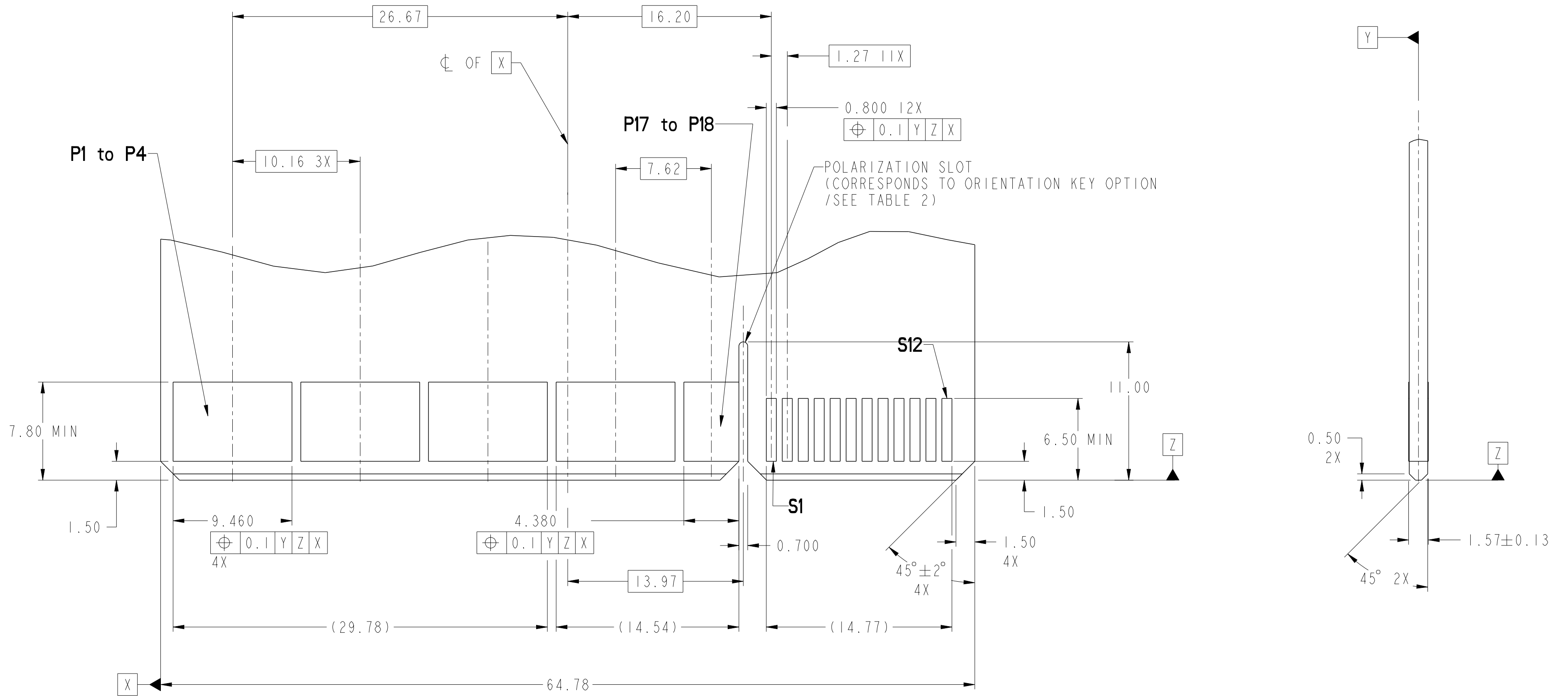
RECOMMENDED PCB LAYOUT
VIEWED FROM CONNECTOR SIDE



| | | | | | | | | | | |
|---------------------------------------|--|----------|----------------|------------|------------------------|--|-----------|----------------|----------|-----|
| spec ref | - | dr | Chris Gieski | 2010/08/27 | projection | MM | size | A2 | scale | 4:1 |
| tolerance std | ASME Y14.5 | eng | De-Ming Lu | 2014/06/05 | | | ecn no | ELX-DG-17838-1 | | |
| TOLERANCES UNLESS OTHERWISE SPECIFIED | | chr | - | rel level | | | Released | | | |
| surface | ✓ | appr | Pai-Ming Zheng | 2014/06/05 | product family | HPCE | rel level | Released | | |
| linear | 0.X ±0.3 0.XX ±0.10 0.XXX ±0.050 | FCI | www.fci.com | | title | R/A RECT (36P-24S) HIGH POWER CARD EDGE | | dwg no | 10115859 | |
| angular | 0° ±° | cat. no. | - | | Product - Customer Drw | sheet 2 of 4 | | rev | D | |

Copyright FCI. FCI

| CONTACT TYPE | TOP LAYER DESCRIPTION | TABLE 1 (HPCE / SOLDER TAILS) PLATED THROUGH-HOLE REQUIREMENTS | | | | |
|----------------|-----------------------|---|------------------|--------------------|---------------|------------------------|
| | | DRILLED HOLE DIAMETER | COPPER THICKNESS | TIN-LEAD THICKNESS | TIN THICKNESS | FINISHED HOLE DIAMETER |
| POWER & SIGNAL | TIN-LEAD | 1.10-1.16 (1.15 DRILL) | 0.025 - 0.050 | 0.005 - 0.015 | -- | 0.94 - 1.10 |
| | IMMERSION TIN | 1.10-1.16 (1.15 DRILL) | 0.025 - 0.050 | -- | 0.9 - 1.5um | 0.94 - 1.10 |
| | COPPER (SEE NOTE 8) | 1.10-1.16 (1.15 DRILL) | 0.025 - 0.050 | -- | -- | 0.94 - 1.10 |

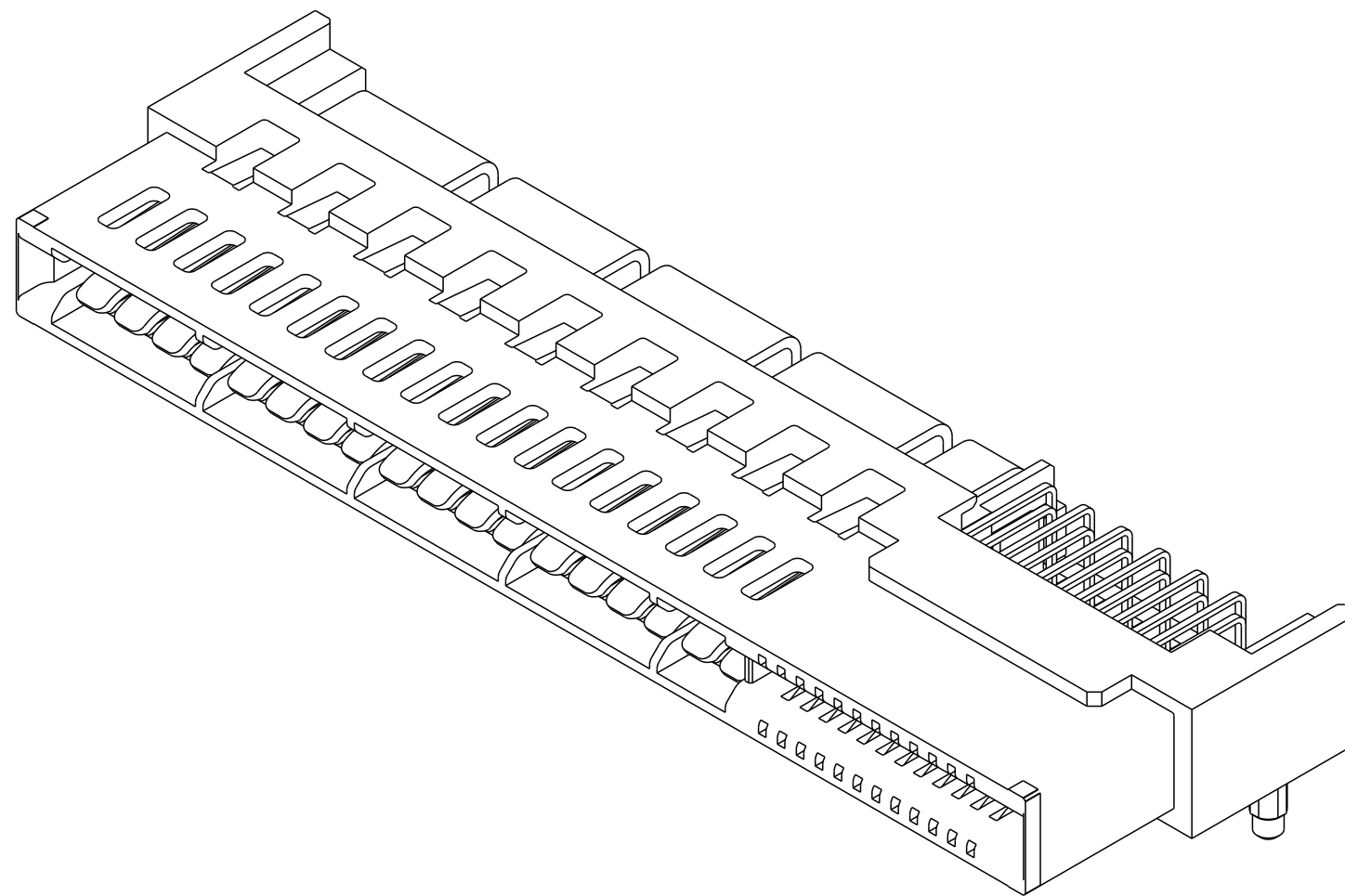


RECOMMENDED MATING BOARD FOOTPRINT

| | | | | | | | | | | |
|---------------|------------|------|----------------|-------------|----------------|------|------------------------|----------------|-----------|----------|
| spec ref | - | dr | Chris Gieski | 2010/08/27 | projection | MM | size | A2 | scale | 4:1 |
| tolerance std | ASME Y14.5 | eng | De-Ming Lu | 2014/06/05 | chr | - | ecn no | ELX-DG-17838-1 | rel level | Released |
| surface | linear | appr | Pei-Ming Zheng | 2014/06/05 | product family | HPCE | dwg no | 10115859 | rev | D |
| ASME Y14.5 | angular | 0° | ±° | www.fci.com | cat. no. | - | Product - Customer Drw | sheet 3 of 4 | | |

HPCE PART NUMBER (TABLE 2)

| PART NUMBER | TAIL TYPE | HOLD-DOWN OPTION | ORIENTATION KEY | DIM "A" TYPICAL TAIL LENGTH | |
|----------------------------|-------------|------------------|-----------------|-----------------------------|-----------|
| 10115859-001LF | SOLDER TAIL | NO | YES | 3.25±0.25 | |
| 10115859-002LF | | | NO | | |
| 10115859-003LF | | YES | YES | | |
| 10115859-004LF | | | NO | | |
| 10115859-005LF | | NO | YES | | 4.05±0.25 |
| 10115859-006LF | | | NO | | |
| 10115859-007LF | | YES | YES | | |
| 10115859-008LF | | | NO | | |
| 10115859-009LF | | NO | YES | 4.85±0.25 | |
| 10115859-010LF | | | NO | | |
| 10115859-011LF | | YES | YES | | |
| 10115859-012LF | | | NO | | |
| 10115859-013LF \triangle | | NO | YES | | 2.60±0.25 |
| 10115859-014LF \triangle | | | NO | | |
| 10115859-015LF \triangle | | | YES | | |
| 10115859-016LF \triangle | | | NO | | |



NOTES:

- CONNECTOR MATERIALS:
HOUSING: HIGH TEMPERATURE THERMAL PLASTIC, BLACK
UL 94V-0 COMPLIANT
CONTACTS: HIGH PERFORMANCE COPPER ALLOY.
- CONTACT FINISH REF. GS-12-604 SECTION 5.2.
- PRODUCT SPECIFICATION: GS-12-604.
- APPLICATION SPECIFICATION: GS-20-128.
- PRODUCT MARKING (FCI - PART NUMBER & DATE CODE) ON HOUSING IN AREA SHOWN.
- PACKAGING MEETS FCI SPECIFICATION GS-14-937.
- HOUSING COMPONENT WILL WITHSTAND EXPOSURE TO 260°C PEAK TEMPERATURE FOR 60 SECONDS IN A CONVECTION, INFRA-RED, OR VAPOR PHASE REFLOW OVEN.
- COPPER PLATING THICKNESS IN CENTER OF VIA-HOLE CAN BE NO MORE THAN 0.003 LESS THAN OTHER AREAS.
- ALL HOLE SIZES ARE FINISHED HOLE SIZES.
- MOUNTING HOLES ARE UNPLATED
 \varnothing 2.10 +/- 0.1 FOR SOLDER TAILS
- \triangle A \triangle SYMBOL WILL BE NEXT TO ANY DIMENSION, VIEW, OR NOTE WHICH HAS BEEN MODIFIED WITH THE CURRENT DRAWING REVISION.

Copyright FCI.

| | | | | | | | | | | |
|---------------------------------------|------------|--------|--------------|------------|--|-------------|----------------|----------------|------------------------|--------------|
| spec ref | - | dr | Chris Gieski | 2010/08/27 | projection | MM | size | A2 | scale | 4:1 |
| tolerance std | ASME Y14.5 | eng | De-Ming Lu | 2014/06/05 | | | ecn no | ELX-DG-17838-1 | | |
| TOLERANCES UNLESS OTHERWISE SPECIFIED | | chr | - | appr | | | Pei-Ming Zheng | 2014/06/05 | product family | HPCE |
| surface | linear | 0.X | ±0.3 | | R/A RECT (36P-24S) HIGH POWER CARD EDGE | www.fci.com | cat. no. | - | Product - Customer Drw | sheet 4 of 4 |
| | 0.XX | ±0.10 | title | | | | 10115859 | | rev | D |
| | 0.XXX | ±0.050 | dwg no | | | | 10115859 | | rev | D |
| ASME Y14.5 | angular | 0° | ±° | | | | | | | |