



Main

| | |
|-------------------------------|-----------------------------|
| Range of product | OsiSense XU |
| Series name | General purpose |
| Electronic sensor type | Photo-electric sensor |
| Sensor name | XUVA |
| Sensor design | Fork L |
| Detection system | Thru beam |
| Emission | Red LED, modulated |
| Passage width | 3.15 in (80 mm) |
| Passage depth | 3.15 in (80 mm) |
| Material | Metal/plastic |
| Supply circuit type | DC |
| Wiring technique | 3-wire |
| Discrete output type | PNP |
| Discrete output function | 1 NO |
| Electrical connection | 1 male connector M8, 3 pins |
| Product specific application | Detection on small conveyor |
| [Sn] nominal sensing distance | 3.15 in (80 mm) |

Complementary

| | |
|---------------------------|--|
| Enclosure material | Painted aluminium and polyamide/glass |
| Spot diameter | 0.05 in (1.2 mm) |
| Type of output signal | Discrete |
| Output type | Solid state |
| Status LED | 1 LED (yellow) output state |
| [Us] rated supply voltage | 12...24 V DC with reverse polarity protection |
| Supply voltage limits | 10...30 V DC |
| Switching capacity in mA | 100 mA (overload and short-circuit protection) |
| Switching frequency | 4000 Hz |
| Voltage drop | <= 1.5 V (closed state) |
| Current consumption | < 20 mA (no-load) |
| Product weight | 0.42 lb(US) (0.19 kg) |

Environment

| | |
|---------------------------------------|--|
| product certifications | CE |
| ambient air temperature for operation | 14...140 °F (-10...60 °C) |
| ambient air temperature for storage | -40...176 °F (-40...80 °C) |
| immunity to ambient light | 10000 lux with natural light 5000 lux with incandescent bulb |
| vibration resistance | 7 gn, amplitude = +/- 0.75 mm (f = 10...55 Hz) conforming to IEC 60068-2-6 |
| shock resistance | 30 gn (duration = 11 ms) conforming to IEC 60068-2-27 |
| IP degree of protection | IP65 IP67 |

Offer Sustainability

| | |
|---|--|
| Not Green Premium product | Not Green Premium product |
| Will be Compliant on 4Q2014 | Will be Compliant on 4Q2014 Will be Compliant on 4Q2014 |
| WARNING: This product can expose you to chemicals | WARNING: This product can expose you to chemicals including: |

The information provided in this documentation contains general descriptions and/or technical characteristics of the products contained herein. This information is not intended as a substitute for and is not to be used for determining suitability or reliability of these products for specific user applications. It is the duty of any such user or integrator to perform the appropriate and complete risk analysis, evaluation and testing of the products with respect to the relevant specific application or use thereof. Neither Schneider Electric Industries SAS nor any of its affiliates or subsidiaries shall be responsible or liable for misuse of the information contained herein.

including:

Diisononyl phthalate (DINP), which is known to the State of California to cause cancer, and

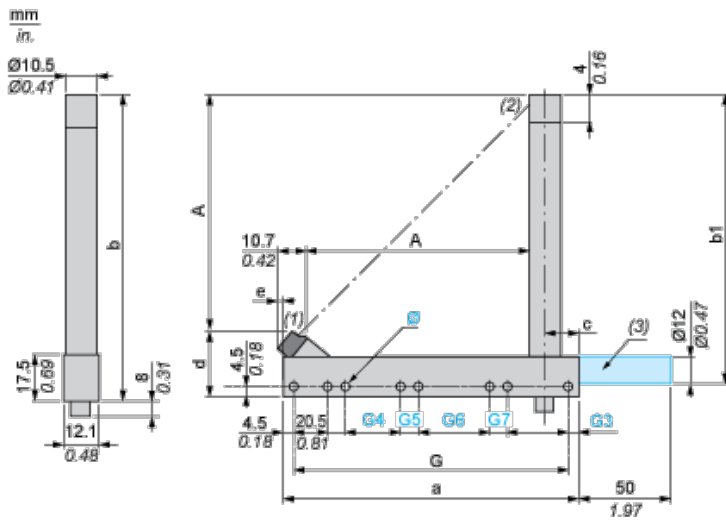
Diisodecyl phthalate (DIDP), which is known to the State of California to cause birth defects or other reproductive harm.

For more information go to www.p65warnings.ca.gov

Contractual warranty

Warranty period: 18 months

Dimensions



- (1) Transmission LED
- (2) Yellow LED: output signal
- (3) Optional fixing rod available on request. Please consult our Customer Care Centre

Dimensions in mm

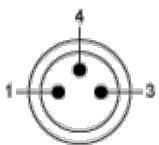
| Depth A | a | b | b1 | G | G3 | Ø | G4 | G5 | G6 | G7 | c |
|---------|-----|-----|-----|----|-----|---------|----|----|----|----|-------|
| 74.3 | 105 | 113 | 105 | 96 | 4.5 | 4 x 4.3 | - | - | - | - | 14.75 |

Dimensions in in.

| Depth A | a | b | b1 | G | G3 | Ø | G4 | G5 | G6 | G7 | c |
|---------|------|------|------|------|------|-------------|----|----|----|----|------|
| 2.93 | 4.13 | 4.45 | 4.13 | 3.78 | 0.18 | 0.16 x 0.17 | - | - | - | - | 0.58 |

Wiring Schemes

M8 Connector



- 1 : BN: Brown
- 3 : BU: Blue
- 4 : BK: Black

PNP Output

