

10

9

8

7

6

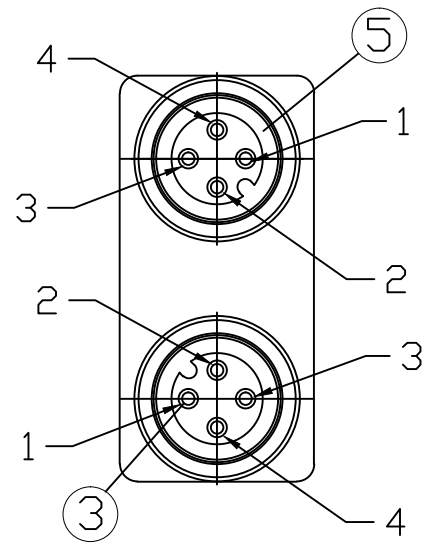
5

4

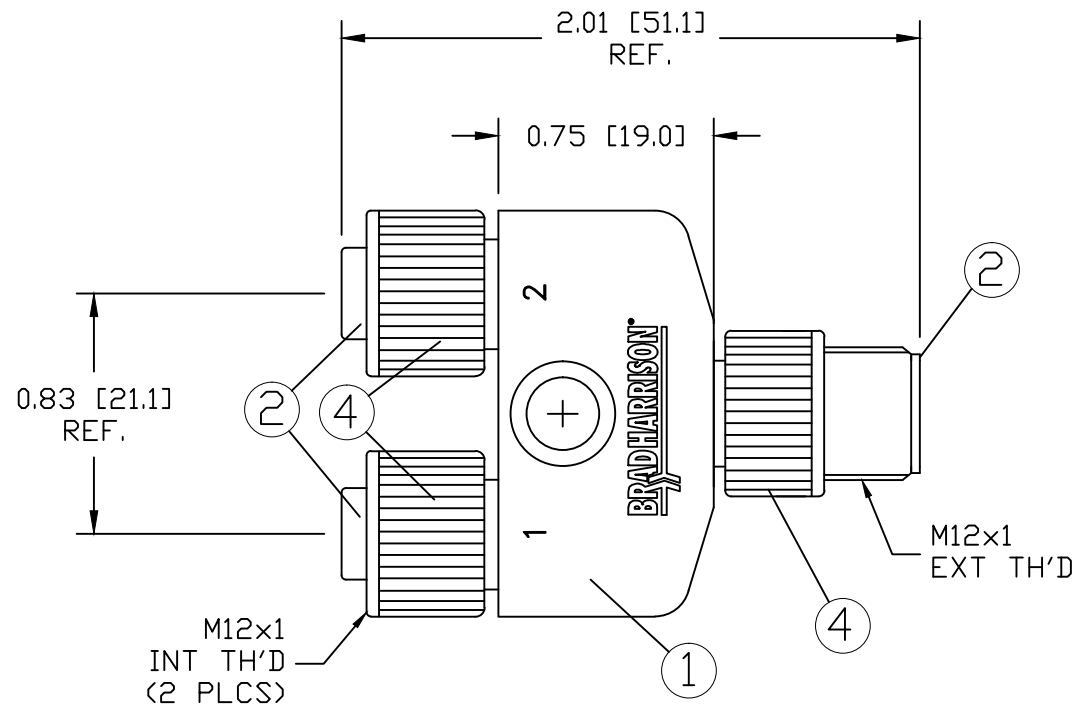
3

2

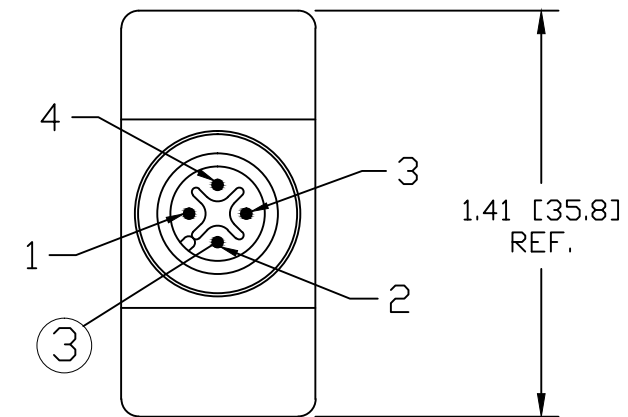
1



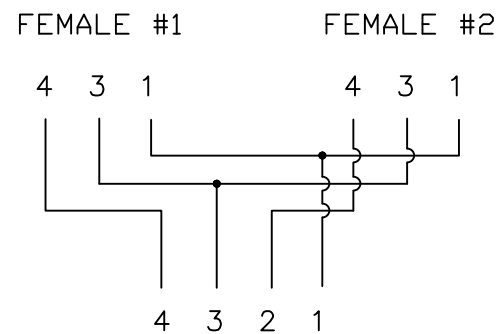
4 POLE FEMALES
FRONT VIEW



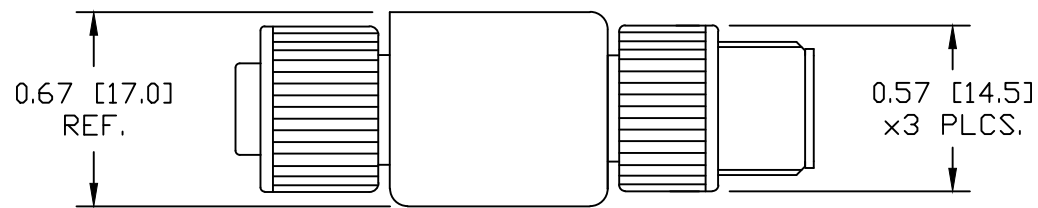
TOP VIEW



4 POLE MALE
FRONT VIEW



WIRE DIAGRAM



SIDE VIEW

MATERIAL NUMBER	ENGINEERING NUMBER	OVERMOLD MATERIAL	OVERMOLD COLOR
1200680169	81590R	TPE	GREY
1200680170	81594R	TPE	YELLOW
1200680229	81590	PVC	GRAY

ITEM	COMPONENT	MATERIAL	FINISH
5	O-RING	VITON	RED
4	COUPLER	ZINC	BLACK ELECTROPHORETIC COAT
3	CONTACT	COPPER ALLOY	GOLD/NICKEL
2	INSERT	NYLON	BLACK
1	OVERMOLD	SEE TABLE	SEE TABLE

ADD PN 81590 TO PN TABLE
 EC NO: IPG2013-0903
 DRWN: TWOLDEGE 12/27/12
 CHKD: VOU
 APPR: JFMURPHY

QUALITY SYMBOLS
 ▽=0
 C=0

GENERAL TOLERANCES (UNLESS SPECIFIED)	
	INCH
4 PLACES	±---
3 PLACES	±.005
2 PLACES	±0.13
1 PLACE	±0.25
ANGULAR ±5°	
DRAFT WHERE APPLICABLE MUST REMAIN WITHIN DIMENSIONS	

DIMENSION STYLE	
INCH	
DRAWN BY	DATE
VOU	2012/04/24
CHECKED BY	DATE
---	---
APPROVED BY	DATE
---	---
MATERIAL NO.	
SIZE	B

SCALE	DESIGN UNITS	THIRD ANGLE PROJECTION
3:2	INCH	☉
TITLE		
MIC 4P MOLDED SPLITTER		
MOLEX INCORPORATED		
DOCUMENT NO.	SHEET NO.	
SD-120068-034	1 OF 1	
THIS DRAWING CONTAINS INFORMATION THAT IS PROPRIETARY TO MOLEX INCORPORATED AND SHOULD NOT BE USED WITHOUT WRITTEN PERMISSION		

10

9

8

7

6

5

4

3

2

1