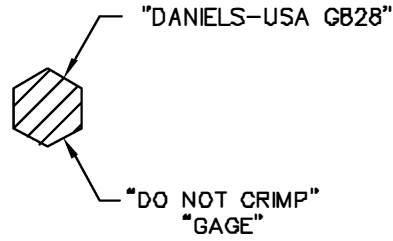
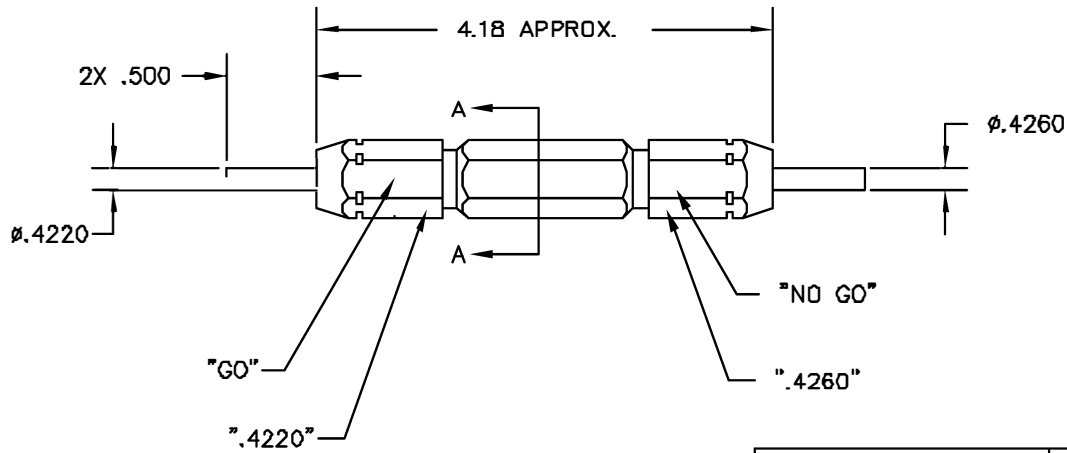


REVISIONS				
REV. SYN.	E.C.D. NUMBER	DESCRIPTION	BY DATE	APP'D DATE
2		#.4220 WAS #.4230 #.4260 WAS #.4270	JMJ 10/2/01	RRR 10/2/01



SECTION A-A



<b>RESTRICTED &amp; CONFIDENTIAL</b>  CONFIDENTIAL PROPERTY OF DANIELS MANUFACTURING CORP. NOT TO BE DISCLOSED TO OTHERS, REPRODUCED OR USED FOR ANY OTHER PURPOSE EXCEPT AS AUTHORIZED IN WRITING BY DANIELS MANUFACTURING CORP. ON COMPLETION OF ORDER OR OTHER PURPOSE FOR WHICH INT.	MATERIAL	ITEM	PART NO.	QTY.	DESCRIPTION/REMARKS
	HEAT TREAT	DRN	J. JOYCE	DATE	<b>DMC</b> DANIELS MANUFACTURING CORP. ORLANDO, FLORIDA GAGE 11851
		CHK'D	DE	DATE	
	FINISH	APP'D.	DATE	TITLE <b>GO/NO-GO GAGE ENVELOPE DRAWING</b>	
APP'D.		DATE			
DO NOT SCALE DRAWING	NOTE: THIS DRAWING IS AN OUTLINE DRAWING OF THE RESPECTIVE DMC PART NUMBER INDICATED. ACTUAL DIM PART NUMBER IS DRAWING NUMBER WITHOUT THE "-ENV" SUFFIX.		WHERE USED:		SHEET 1 OF 1
	SIZE	SCALE	END P/N	GB28-ENV	
	B	NTS	GB28-ENV	DWG. NO.	REV.
			GB28-ENV	2	