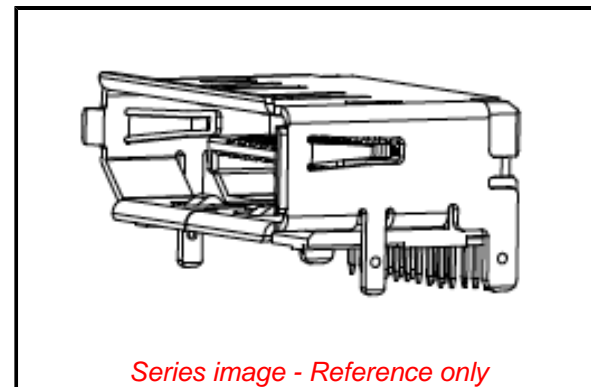


PLEASE CHECK WWW.MOLEX.COM FOR LATEST PART INFORMATION

Part Number: [1050206001](#)
Status: **Active**
Overview: DisplayPort* and Mini DisplayPort Interconnect System
Description: 0.50mm Pitch DisplayPort* Male Receptacle, Right Angle, Through Hole, DIP Type, 0.76µm Gold (Au) Plating, Solder Tail Length 1.80mm, 20 Circuits, Lead-Free

Documents:

3D Model	Packaging Specification PK-105196-001 (PDF)
Drawing (PDF)	Packaging Specification PK-105281-001 (PDF)
Product Specification PS-47272-001-001 (PDF)	RoHS Certificate of Compliance (PDF)
Packaging Specification PK-105020-001-001 (PDF)	



Series image - Reference only

General

Product Family	I/O Connectors
Series	105020
Application	Wire-to-Board
Comments	Without Flange. Without Cover
Component Type	Receptacle
Overview	<u>DisplayPort* and Mini DisplayPort Interconnect System</u>
Product Name	DisplayPort*
Type	N/A
UPC	884982127968

Physical

Boot Color	N/A
Circuits (Loaded)	20
Circuits (maximum)	20
Color - Resin	Black
Gender	Male
Keying to Mating Part	Yes
Lock to Mating Part	Yes
Material - Metal	Copper Alloy
Material - Plating Mating	Gold
Material - Plating Termination	Tin-Bismuth
Material - Resin	High Temperature Thermoplastic
Net Weight	2.165/g
Number of Rows	2
Orientation	Right Angle
PCB Locator	No
PCB Retention	Yes
PCB Thickness - Recommended	1.40mm
Packaging Type	Embossed Tape on Reel
Panel Mount	Without Flange
Pitch - Mating Interface	0.50mm
Pitch - Termination Interface	0.50mm
Plating min - Mating	0.762µm
Plating min - Termination	1.016µm
Polarized to Mating Part	Yes
Polarized to PCB	Yes
Ports	1
Temperature Range - Operating	-20°C to +85°C
Termination Interface: Style	Through Hole
Waterproof / Dustproof	No

Electrical

Current - Maximum per Contact	0.5A
Grounding to Panel	Yes

EU ELV

Not Relevant

EU RoHS

Compliant

REACH SVHC

Not Contained Per
-ED/01/2017 (12
January 2017)

Halogen-Free

Status

Low-Halogen

Need more information on product environmental compliance?

Email productcompliance@molex.com
Please visit the [Contact Us](#) section for any non-product compliance questions.

China ROHS	Green Image
ELV	Not Relevant
RoHS Phthalates	Not Contained

Search Parts in this Series

[105020](#) Series

Shielded	Yes
Voltage - Maximum	40V AC

Solder Process Data

Duration at Max. Process Temperature (seconds)	003
Lead-free Process Capability	REFLOW
Max. Cycles at Max. Process Temperature	001
Process Temperature max. C	250

Material Info**Reference - Drawing Numbers**

Electrical Model Document	EE-105020-001
Packaging Specification	PK-105020-001-001, PK-105196-001, PK-105281-001
Product Specification	PS-47272-001-001
Sales Drawing	SD-105020-003-001

* DisplayPort is a Trademark of VESA

This document was generated on 04/12/2017

PLEASE CHECK WWW.MOLEX.COM FOR LATEST PART INFORMATION