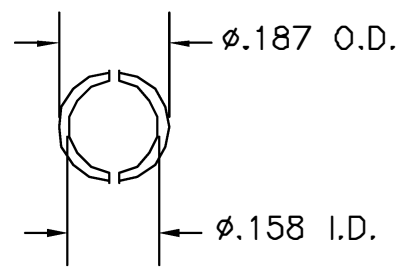
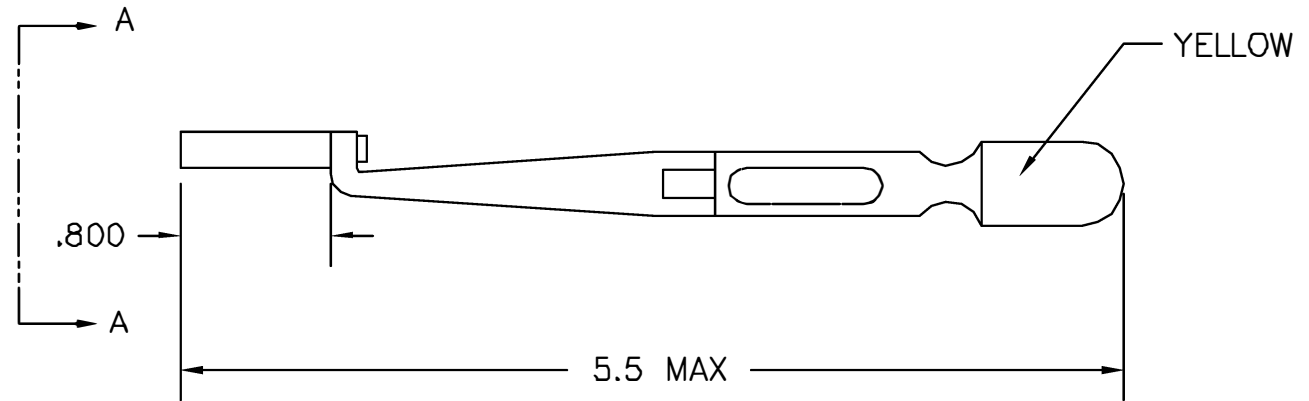


REVISIONS				
REV. SYM.	E.C.G. NUMBER	DESCRIPTION	BY DATE	APP'D DATE
1		ORIGINAL RELEASE	AW 11/28/00	RRR 11/29/00



VIEW A-A



**UNCONTROLLED DOCUMENT
 WILL NOT BE UPDATED**

RESTRICTED & CONFIDENTIAL CONFIDENTIAL PROPERTY OF DANIELS MANUFACTURING CORP. NOT TO BE DISCLOSED TO OTHERS, REPRODUCED OR USED FOR ANY OTHER PURPOSE, EXCEPT AS AUTHORIZED IN WRITING BY DANIELS MANUFACTURING. MUST BE RETURNED TO DANIELS MANUFACTURING CORP. ON COMPLETION OF ORDER OR OTHER PURPOSE FOR WHICH LENT.		ITEM	PART NO.	QTY.	DESCRIPTION/REMARKS
		URN.	J. JOYCE	DATE 11/28/00	DANIELS MANUFACTURING CORP. ORLANDO, FLORIDA CAGE 71851
		CHKD.	RRR	DATE 11/29/00	
		APP'D.		DATE	TITLE
APP'D.		DATE	#12 INSTALLING TOOL ENVELOPE DRAWING		
DO NOT SCALE DRAWING		WHERE USED:			
		SIZE	SCALE	CAD P/N	SHEET
		B	NTS	DAK264-12-ENV	1 OF 1
		POSTING	P/N	REV.	
			DAK264-12-ENV	1	