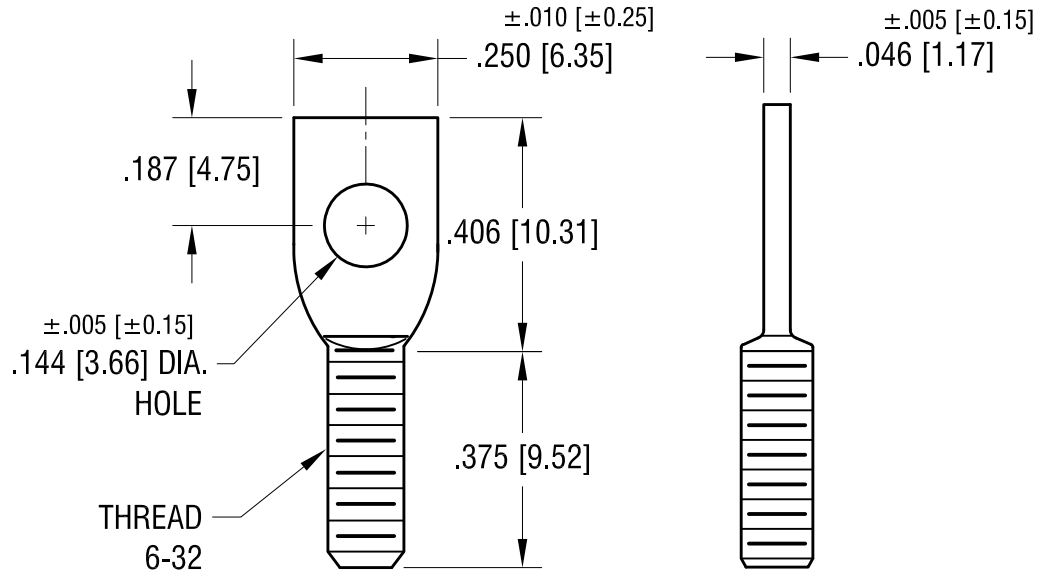


THIS DOCUMENT IS THE PROPERTY OF  
KEYSTONE ELECTRONICS CORP. AND  
SHALL NOT BE REPRODUCED, DISTRIBUTED  
OR USED AS A BASIS FOR MANUFACTURE  
WITHOUT PRIOR WRITTEN PERMISSION  
FROM KEYSTONE ELECTRONICS CORP.

ACTUAL SIZE



<b>KEYSTONE ELECTRONICS CORP.</b>			
www.keyelco.com • ASTORIA, N.Y. 11105-2017 • Tel (718) 956-8900			
PART NAME		SPADE BOLT	
MATERIAL		STEEL	
FINISH		DRN BY	DATE
ZINC PLATE		NT	3.20.13
		APP'D	SCALE
		LN	3X
TOLERANCES	INCH [MM]	CODE	DWG NO.
DECIMAL	$\pm .015 [\pm 0.38]$	C	1259
ANGULAR	$\pm 1^\circ$		
UNLESS OTHERWISE SPECIFIED			

3.20.13	CHANGE AS PER ECN 13-029	B
7.22.91	REVISED	A
DATE	DESCRIPTION	REV.