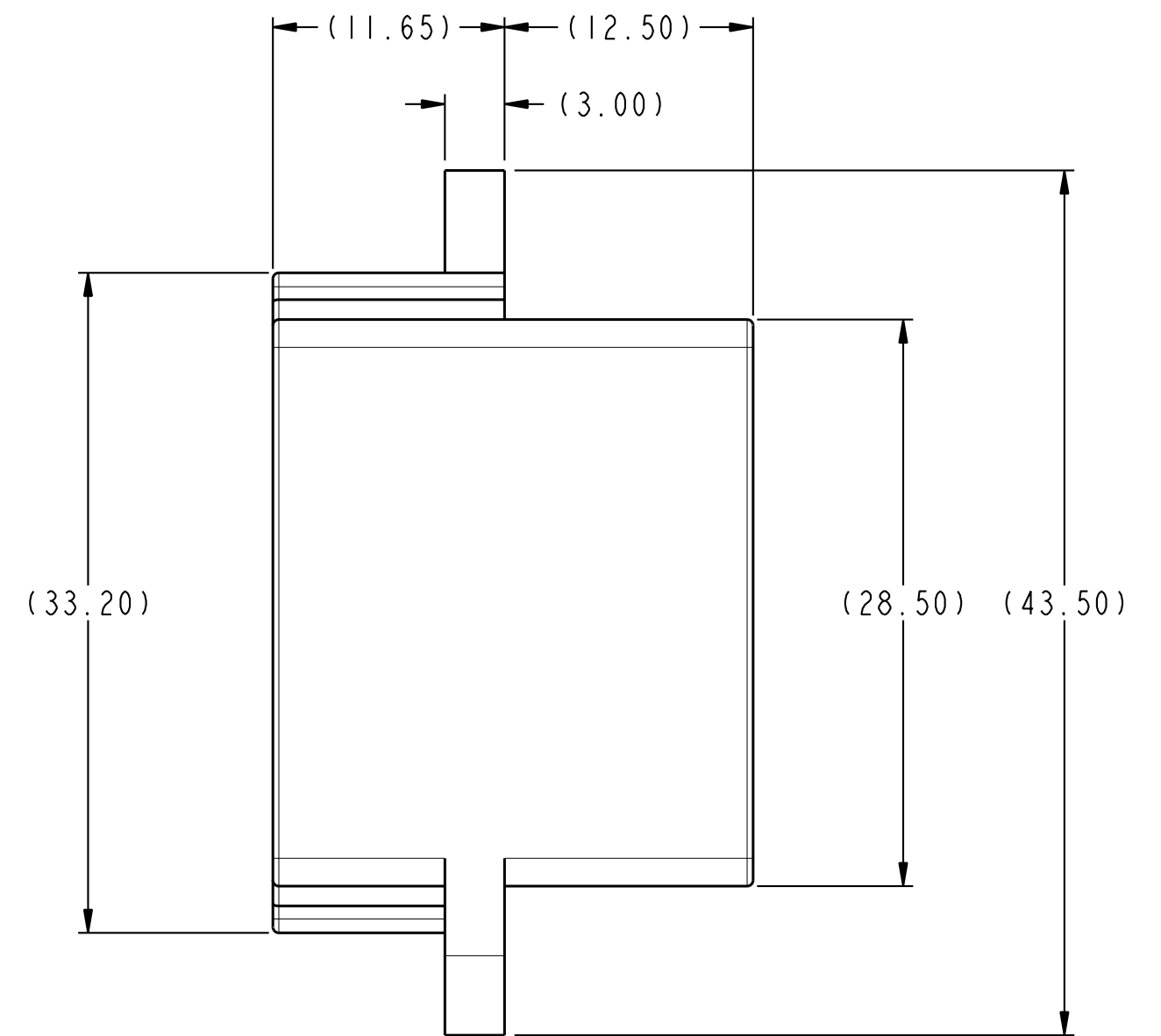
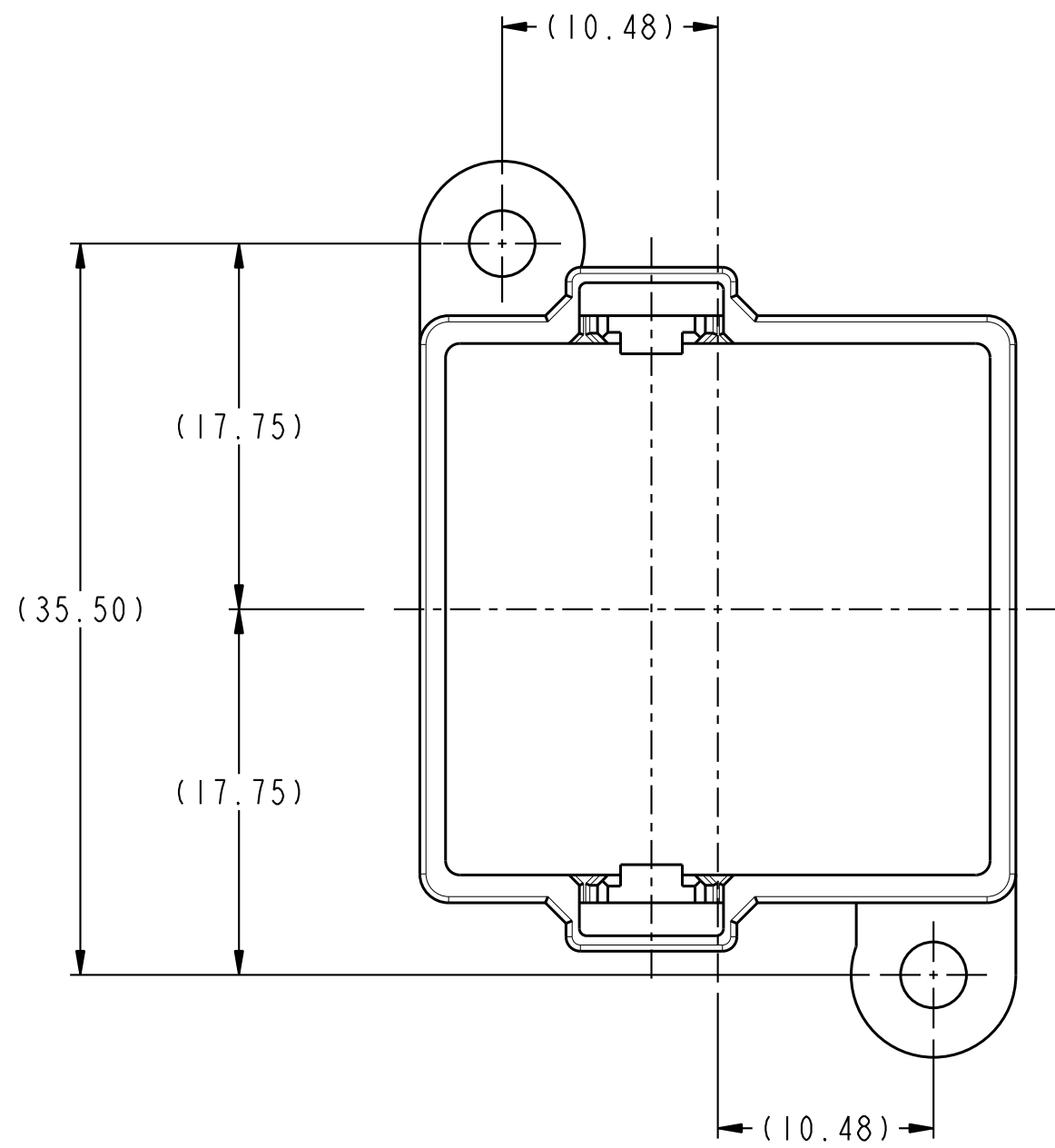
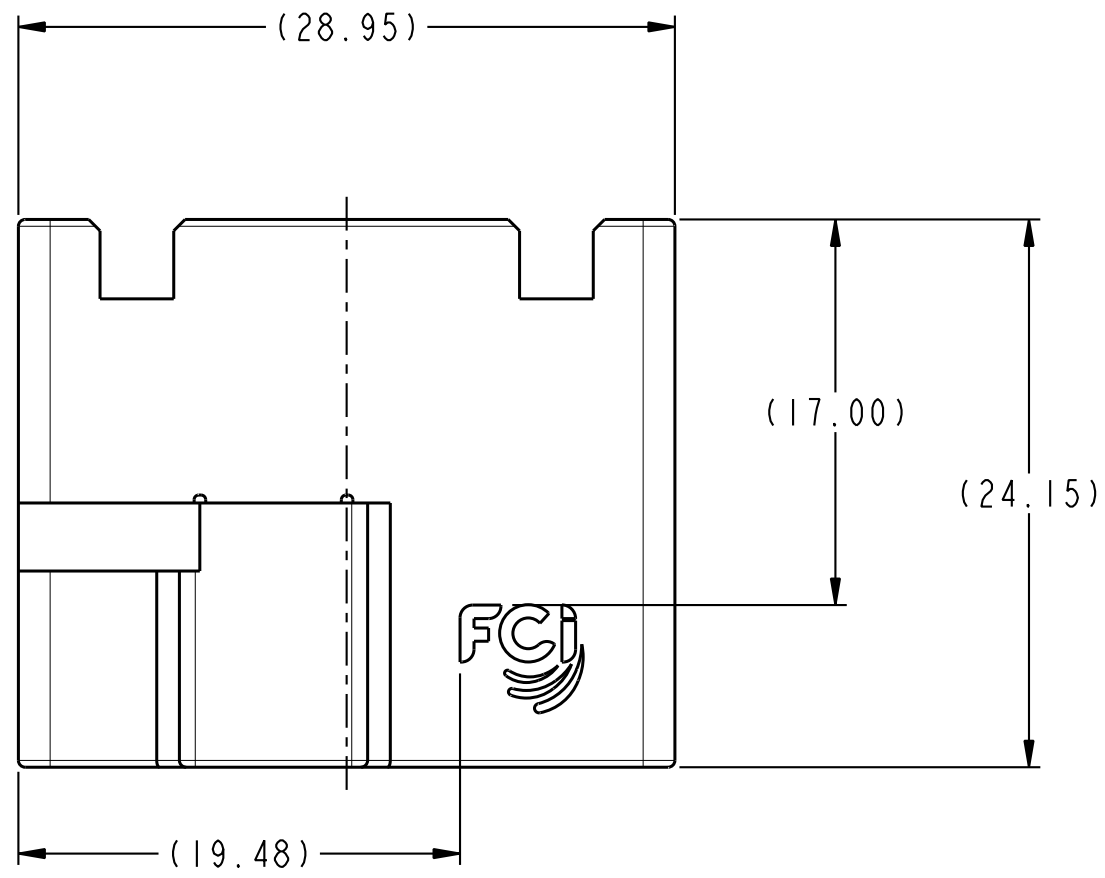


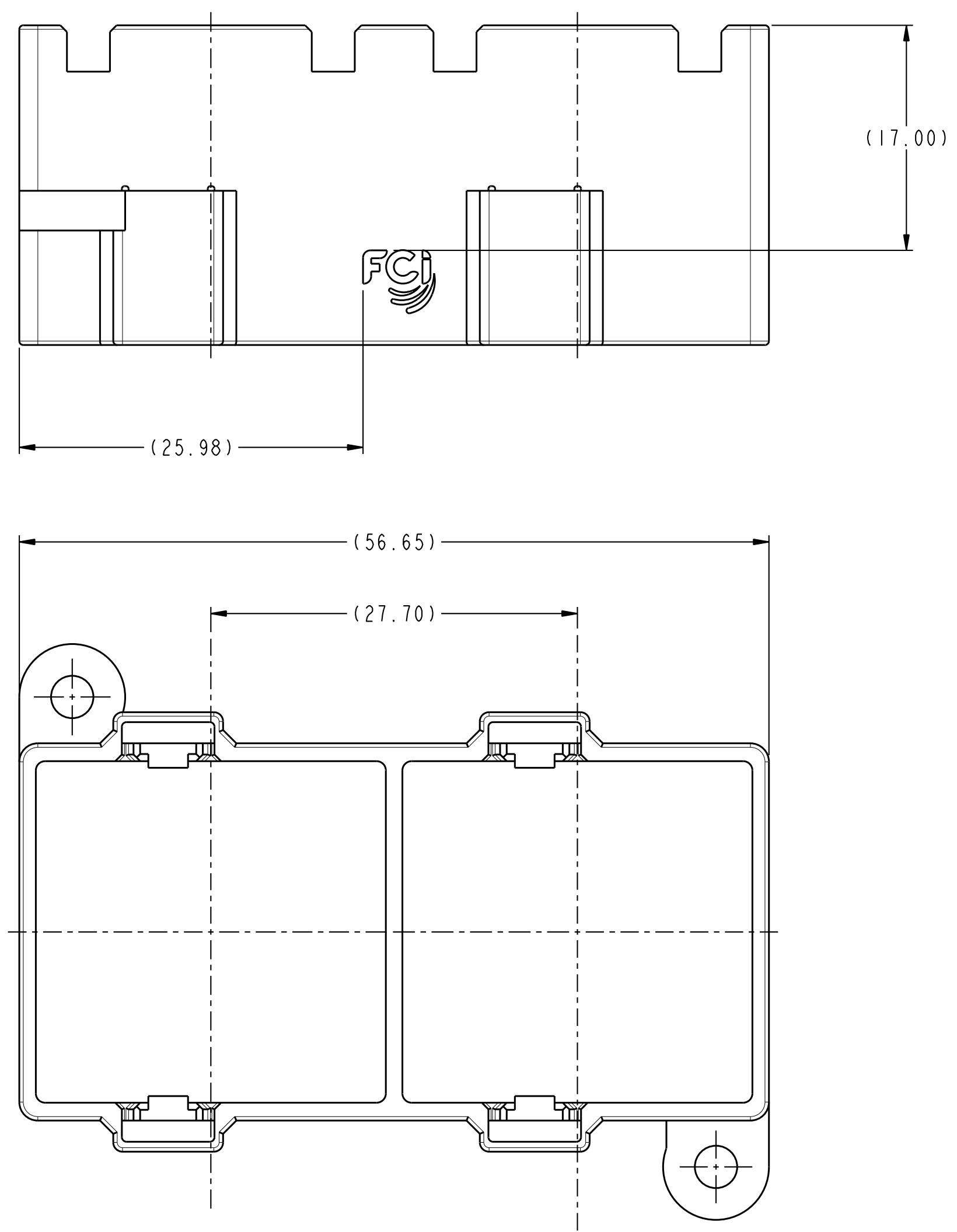
PRODUCT NUMBER	DESCRIPTION
10127037-101	1 PORT RETENTION FRAME



spec ref	-	dr	D. HUMBERT	2014-06-10	projection	MM	size	A2	scale	3:1	
tolerance std	ASME Y14.5M	eng	D. LORD	2014-06-10			ecn no	-			
TOLERANCES UNLESS OTHERWISE SPECIFIED		chr	D. LORD	2014-06-10			rel level	In Work	-		
surface	ASME Y14.5	appr	D. LORD	2014-06-10			product family	EXAMAX I/O	rev	I	
linear	0.X ±	FCI		TITLE		PANEL RETENTION BRACKET		dwg no	10127037		
angular	0° ±	www.fci.com		cat. no.		Product - Customer Drw		sheet 1 of 6			

Copyright FCI.

PRODUCT NUMBER	DESCRIPTION
10127037-102	2 PORT RETENTION FRAME

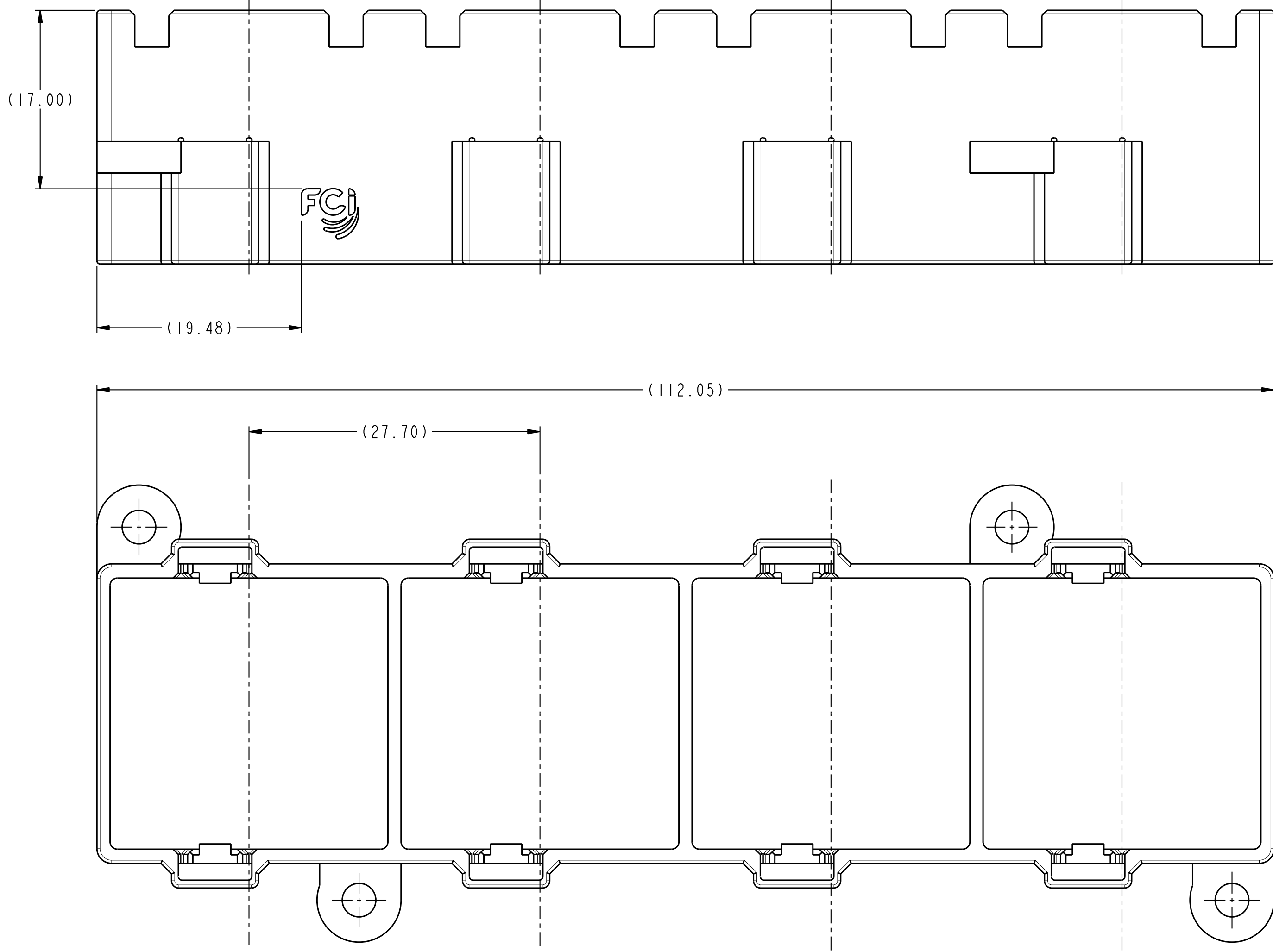


DIMENSIONS SHOWN FOR 10127037-002
ALL OTHER DIMENSIONS CARRY OVER

spec ref	-	dr	D. HUMBERT	2014-06-10	projection	MM	size	A2	scale	3:1
tolerance std	-	eng	D. LORD	2014-06-10			ecn no	rel level	In Work	rev
ASME Y14.5M	TOLERANCES UNLESS OTHERWISE SPECIFIED	chr	D. LORD	2014-06-10						
surface	✓	appr	D. LORD	2014-06-10						
ASME Y14.5	linear	0.X	±	www.fci.com	cat. no.	-	Product - Customer Drw	sheet 2 of 6	10127037	I
	angular	0°	±							

Copyright FCI.

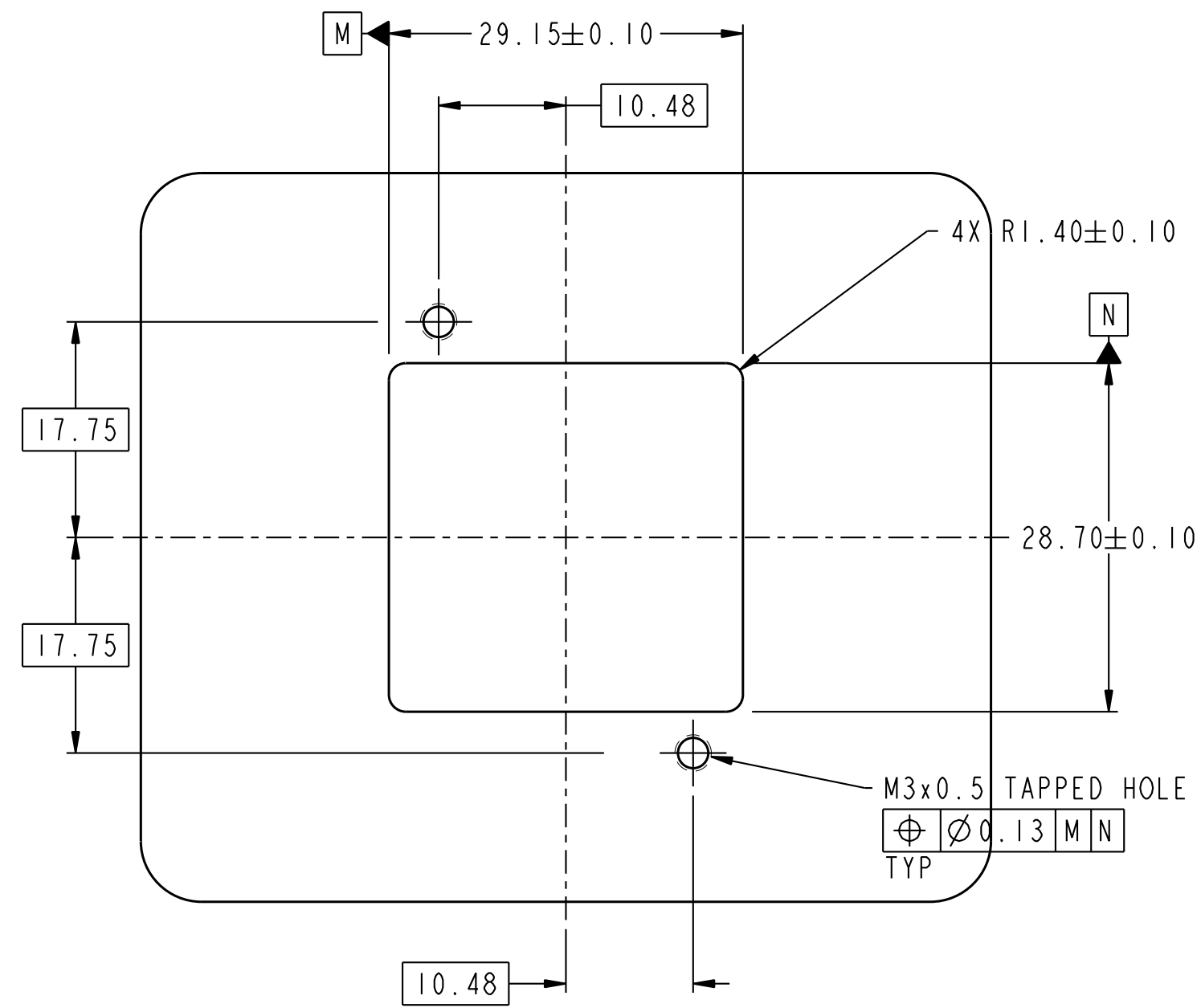
PRODUCT NUMBER	DESCRIPTION
10127037-104	4 PORT RETENTION FRAME



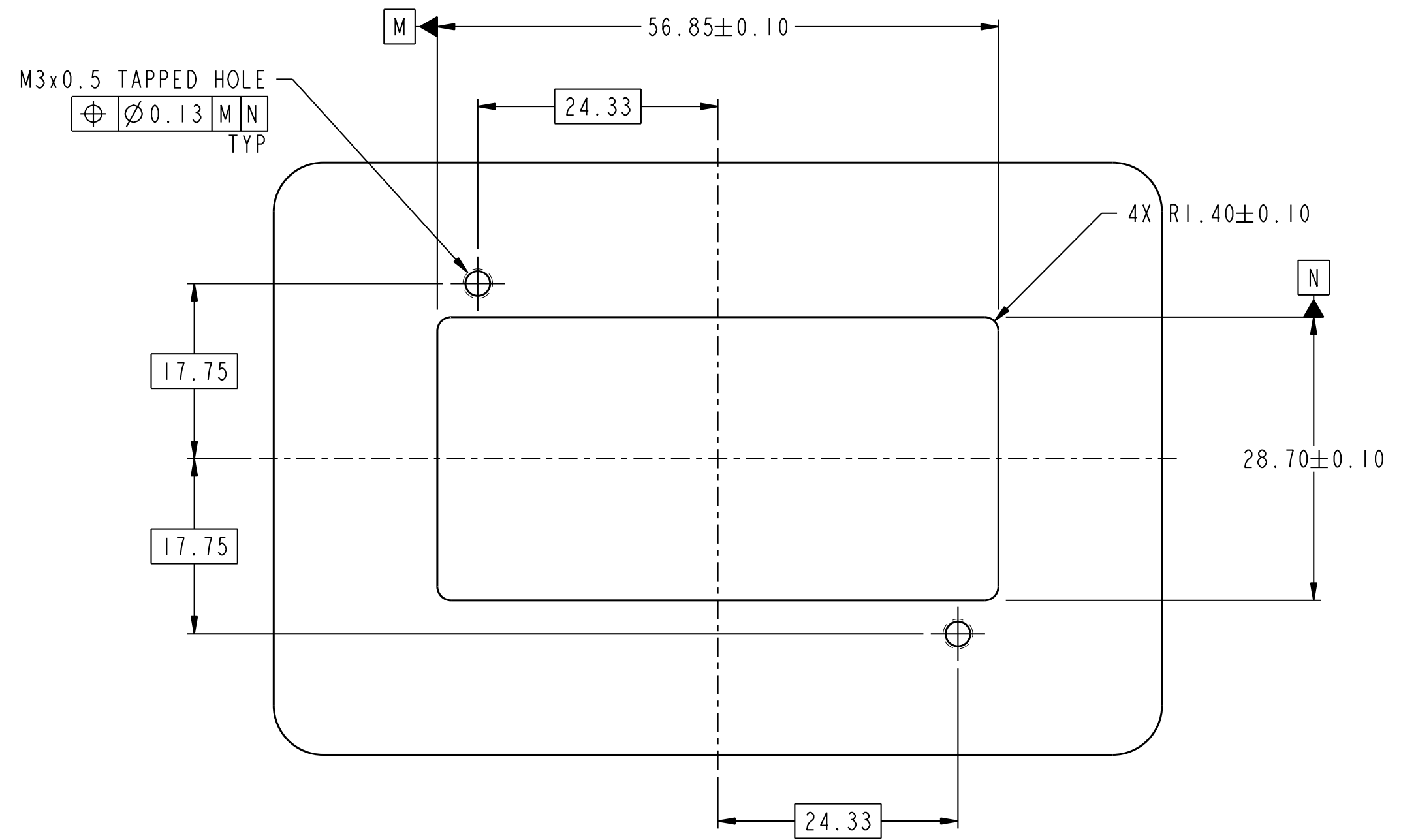
DIMENSIONS SHOWN FOR 10127037-004
ALL OTHER DIMENSIONS CARRY OVER

spec ref	-	dr	D. HUMBERT	2014-06-10	projection	MM	size	A2	scale	3:1
tolerance std	-	eng	D. LORD	2014-06-10			ecn no	rel level	In Work	rev
ASME Y14.5M	TOLERANCES UNLESS OTHERWISE SPECIFIED	chr	D. LORD	2014-06-10						
		appr	D. LORD	2014-06-10						
surface	✓	linear	0.X	±		PANEL RETENTION BRACKET EXAMAX I/O 4-PR 8-COLUMN 2.0MM PITCH	drawing no 10127037	Product - Customer Drw	sheet 3 of 6	
ASME Y14.5	angular	0°	±							
		www.fci.com	cat. no.	-						

Copyright FCI.



SCALE 2:1
BRACKET PANEL OPENING
DIMENSIONS SHOWN FOR 10127037-001

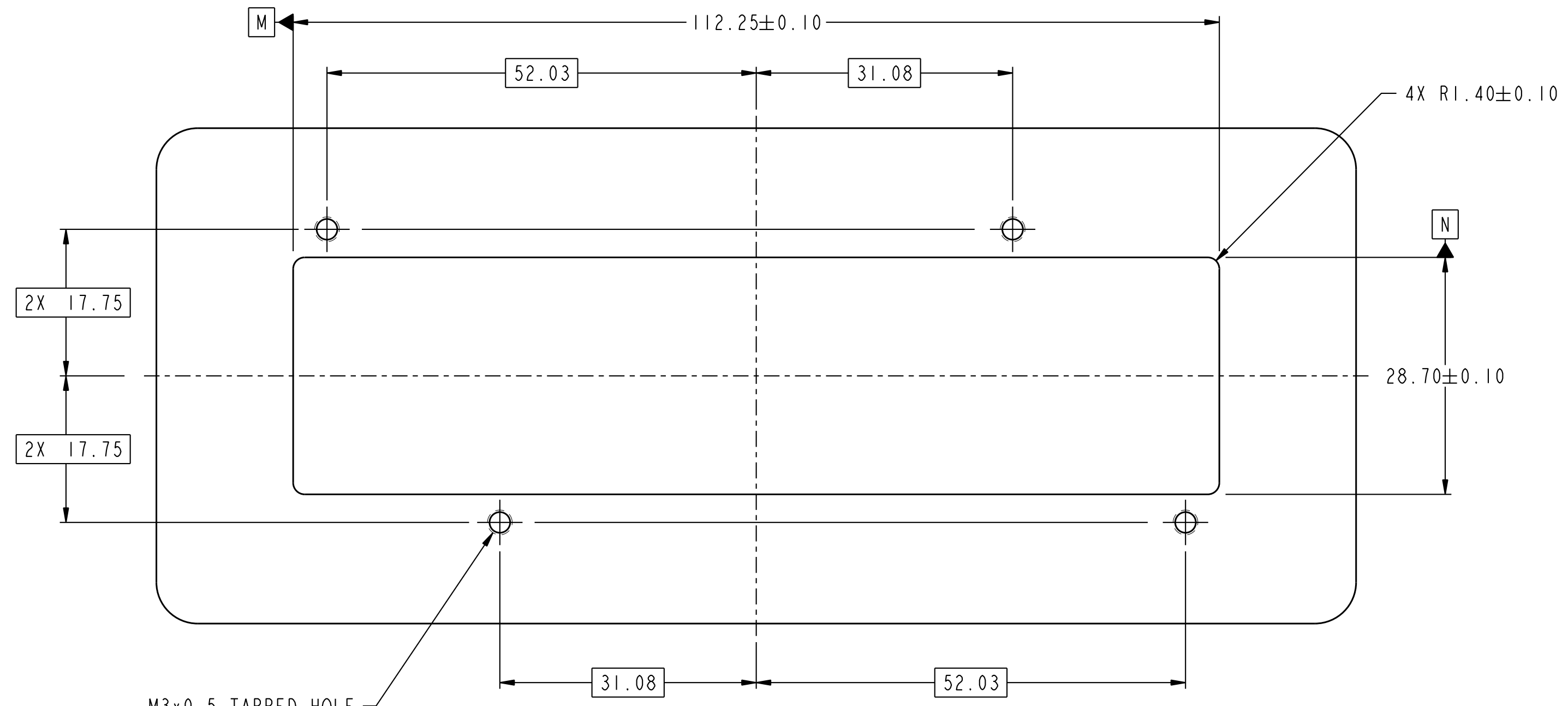


SCALE 2:1
BRACKET PANEL OPENING
DIMENSIONS SHOWN FOR 10127037-002

spec ref	-	dr	D. HUMBERT	2014-06-10	projection	MM	size	A2	scale	3:1
tolerance std	ASME Y14.5M	eng	D. LORD	2014-06-10			ecn no	rel level	In Work	rev
TOLERANCES UNLESS OTHERWISE SPECIFIED		chr	D. LORD	2014-06-10						
		appr	D. LORD	2014-06-10						
surface	ASME Y14.5	linear	0.X	±		PANEL RETENTION BRACKET EXAMAX I/O 4-PR 8-COLUMN 2.0MM PITCH	drawing no 10127037	sheet 4 of 6	Product - Customer Drw	
			0.XX	±						
		angular	0°	±						



Copyright FCI.



M3x0.5 TAPPED HOLE
 $\text{⌀} \text{⌀} 0.13 \text{ M N}$
 TYP

SCALE 2:1
 BRACKET PANEL OPENING
 DIMENSIONS SHOWN FOR 10127037-004

spec ref	-	dr	D. HUMBERT	2014-06-10	projection	MM	size	A2	scale	1:1		
tolerance std	ASME Y14.5M	eng	D. LORD	2014-06-10			ecn no	-				
TOLERANCES UNLESS OTHERWISE SPECIFIED		chr	D. LORD	2014-06-10			rel level	In Work				
surface	ASME Y14.5	appr	D. LORD	2014-06-10			product family	-	rev	I		
linear	0.X ±	FCJ		TITLE		PANEL RETENTION BRACKET		dwg no	10127037			
	0.XX ±	www.fci.com		EXAMAX I/O 4-PR 8-COLUMN 2.0MM PITCH		cat. no.		Product - Customer Drw		sheet 5 of 6		
	0.XXX ±											
angular	0° ±											



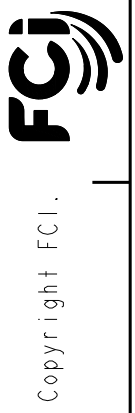
Copyright FCJ.

NOTES:

- 1. MATERIAL: POLYPHENYLENE ETHER + PS (PPE + PS)
COLOR: BLACK
- 2. PACKAGING SPECIFIED:GS-14-XXXX.
- 3. A "△" SYMBOL WILL BE NEXT TO ANY DIMENSION, VIEW, OR NOTE THAT HAS BEEN MODIFIED WITH THE CURRENT DRAWING REVISION

A
B
C
D
E
F

A
B
C
D
E
F



spec ref -		dr D. HUMBERT	2014-06-10	projection	MM	size A2	scale 1:1	
tolerance std -		eng D. LORD	2014-06-10			ecn no		
ASME Y14.5M		chr D. LORD	2014-06-10			rel level		In Work
		appr D. LORD	2014-06-10			product family EXAMAX I/O		
surface -	linear	0.X	±		title PANEL RETENTION BRACKET EXAMAX I/O 4-PR 8-COLUMN 2.0MM PITCH	part no 10127037	rev I	
		0.XX	±					
		0.XXX	±					
ASME Y14.5	angular	0°	±°	www.fci.com	cat. no. -	Product - Customer Drw		
						sheet 6 of 6		