

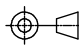

## CODE 21 - BRAID TAIL BACKSHELL

**206M016-19B08**

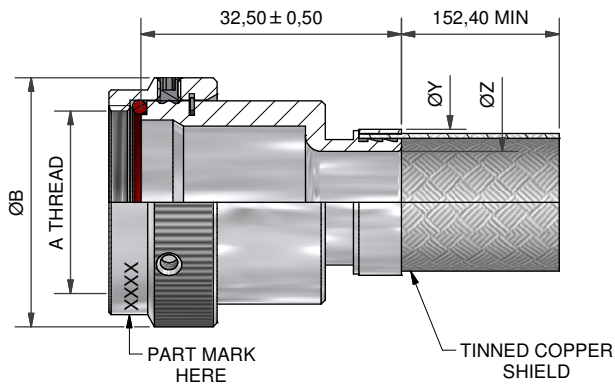
SERIES \_\_\_\_\_  
 ORDER NUMBER (TABLE 1) \_\_\_\_\_  
 MATERIAL \_\_\_\_\_  
     REFER TO CH00-0250-004  
 FINISH \_\_\_\_\_  
     REFER TO CH00-0250-004  
 ENTRY SIZE (TABLE 2) \_\_\_\_\_  
 MODIFICATION CODE \_\_\_\_\_  
     REFER TO CH00-0250-004 (2)

### NOTES:

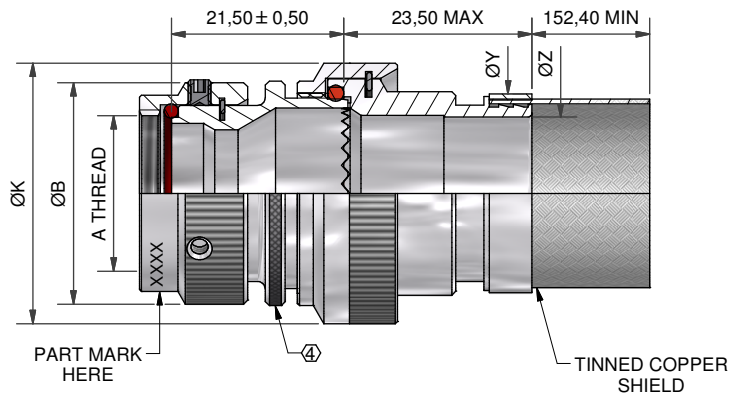
1. THIS PRODUCT IS DESIGNED TO TERMINATE A HEAT SHRINKABLE LIPPED BOOT TO A CONNECTOR.
- (2) FOR ADDITIONAL DIMENSIONS, ORDERING INFORMATION AND MODIFICATIONS, SEE CH00-0250-004
3. BACKSHELL TO BE PERMANENTLY MARKED/BAGGED AND LABELLED WITH CODE IDENTIFICATION NUMBER AND PART NUMBER. (e.g. 06090-206M016-19B08).
- (4) WHEN ENTRY SIZE EXCEEDS "MAX ENTRY", A 2 PIECE BACKSHELL (TYPE 2) IS SUPPLIED.
5. BRAID TERMINATION RING MAY BE SUPPLIED AS TINEL-LOCK SHAPE MEMORY RING AT MANUFACTURERS OPTION.
- (6) BACKSHELL MATES TO MIL-DTL-26482 SERIES I, MS3110, MS3116, MS3120, MS3126 CLASS E AND F CONNECTORS.
- (7) ANTI-ROTATIONAL SET SCREW, 3 THREADED HOLES  $120^\circ \pm 5^\circ$  APART, SINGLE MATING SET SCREW SUPPLIED.

<b>DRAWN</b>	K.WINCZURA	DATE 19/02/2015		3RD ANGLE PROJECTION NOT TO SCALE	<b>TITLE:</b>	<b>BRAID TAIL BACKSHELL (CODE 21)</b>	 <b>Polamco</b> <small>connectivity</small>	
<b>CHECKED</b>		19/02/2015						
<b>APPROVED</b>	K.SHEPPARD	24/02/2015	UNLESS OTHERWISE SPECIFIED ALL DIMENSIONS IN MILLIMETRES					
<b>APPROVED</b>	H.SMITH	01/10/2015	<b>GENERAL TOL</b> LINEAR +/-0.25MM ANGULAR +/- 1°					
<b>REVISIONS</b>								
<b>LTR</b>	<b>DESCRIPTION</b>	<b>DATE</b>	<b>APPROVED</b>		<b>ASSY USED ON:</b>	<b>MIL-DTL-26482 SERIES I</b>		
<b>L</b>	<b>REVISED PER ECO-15-003575</b>	<b>06/03/2015</b>	<b>I.MYONG</b>					
<b>M</b>	<b>REVISED PER ECO-15-013980</b>	<b>01/10/2015</b>	<b>H.SMITH</b>					
TE CAGE CODE: 06090 POLAMCO/TE CAGE CODE: U5792					TE CONNECTIVITY - POLAMCO LTD RESERVES THE RIGHT TO AMEND THIS DRAWING AND THE INFORMATION SET FORTH HEREON AT ANY TIME. USERS SHOULD INDEPENDENTLY EVALUATE THE SUITABILITY OF THE PRODUCT FOR THEIR APPLICATION.	<b>DRAWING NO:</b> <b>206M0XX</b>	<b>DRAWING REV:</b> <b>M</b>	<b>SHT</b> <b>1</b>

IF MAX ENTRY IS EXCEEDED BACKSHELL  
WILL BE SUPPLIED AS TYPE 2



STRAIGHT BACKSHELL - TYPE 1



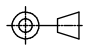
STRAIGHT BACKSHELL - TYPE 2

TABLE 1

ORDER NUMBER	SHELL SIZE ⊕	A THREAD	ØB MAX	MAX ENTRY
08	8	7/16-28UNEF	18,05	04
10	10	9/16-24UNEF	21,55	06
12	12	11/16-24UNEF	24,65	08
14	14	13/16-20UNEF	27,65	10
16	16	15/16-20UNEF	31,05	12
18	18	1 1/16-18UNEF	34,35	13
20	20	1 3/16-18UNEF	37,55	15
22	22	1 5/16-18UNEF	40,55	17
24	24	1 7/16-18UNEF	43,55	18

TABLE 2

ENTRY SIZE	ØK MAX	ØZ REF	ØY REF
03	NA	4,77	13,1
04	NA	6,35	13,1
05	21,0	7,92	13,1
06	21,0	9,52	17,9
07	21,0	11,12	17,9
08	24,5	12,70	17,9
09	24,5	14,27	17,9
10	29,0	15,87	24,2
11	32,5	17,47	24,2
12	32,5	19,05	24,2
13	35,5	20,62	24,2
14	35,5	22,23	30,6
15	37,0	23,82	30,6
16	37,0	25,40	30,6
17	40,0	26,98	33,2
18	40,0	28,60	33,2
20	43,5	31,80	42,0
21	48,5	33,34	42,0
22	48,5	35,00	42,0
24	52,1	38,10	42,0
28	58,5	44,45	49,0

<b>DRAWN</b>	K.WINCZURA	DATE	19/02/2015	 3RD ANGLE PROJECTION NOT TO SCALE  UNLESS OTHERWISE SPECIFIED ALL DIMENSIONS IN MILLIMETRES <b>GENERAL TOL</b> LINEAR +/-0,25MM ANGULAR +/- 1°
<b>CHECKED</b>		DATE	19/02/2015	
<b>APPROVED</b>	K.SHEPPARD	DATE	24/02/2015	
<b>APPROVED</b>	H.SMITH	DATE	01/10/2015	

**TITLE:**

**BRAID TAIL BACKSHELL (CODE 21)**

**ASSY USED ON:**

**MIL-DTL-26482 SERIES I**



REVISIONS			
LTR	DESCRIPTION	DATE	APPROVED
L	REVISED PER ECO-15-003575	06/03/2015	I.MYONG
M	REVISED PER ECO-15-013980	01/10/2015	H.SMITH

TE CONNECTIVITY - POLAMCO LTD RESERVES THE RIGHT TO AMEND THIS DRAWING AND THE INFORMATION SET FORTH HEREON AT ANY TIME. USERS SHOULD INDEPENDENTLY EVALUATE THE SUITABILITY OF THE PRODUCT FOR THEIR APPLICATION.

DRAWING NO:  
**206M0XX**

DRAWING REV:  
**M**

SHT  
**2**

TE CAGE CODE: 06090  
POLAMCO/TE CAGE CODE: U5792