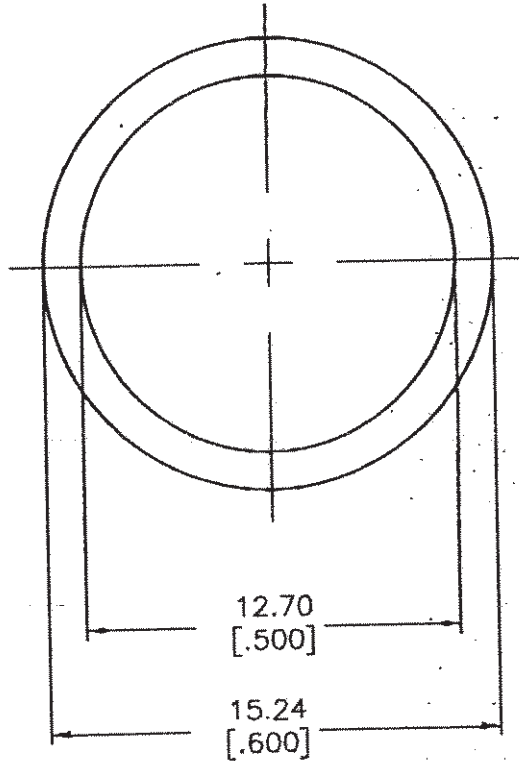
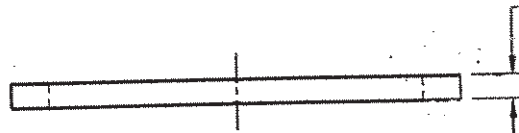


<p>CONFIDENTIAL. THE INFORMATION CONTAINED IN THIS DOCUMENT IS THE PROPERTY OF COOPER INDUSTRIES, INC. IT IS NOT FOR PUBLIC DISCLOSURE. POSSESSION OF THE INFORMATION DOES NOT CONVEY ANY RIGHT TO LOAN, SELL OR DISCLOSE THE INFORMATION. UNAUTHORIZED REPRODUCTION OR USE OF THE INFORMATION IS PROHIBITED. THIS DOCUMENT IS TO BE RETURNED TO COOPER INDUSTRIES, INC. UPON COMPLETION OF THE PURPOSE FOR WHICH IT IS LOANED OR UPON REQUEST.</p> <p>COPYRIGHT Cooper Industries, Inc. This is an unpublished work. The disclosure of this work is limited to select personnel. Further dissemination or disclosure to the public is PROHIBITED. This unpublished work is protected by Federal Copyright law and all rights thereunder are reserved by Cooper Industries, Inc.</p>	SCALE	UNLESS OTHERWISE SPECIFIED TOLERANCES TO BE:	DATE	NO.
	4x	METRIC $\pm .13\text{mm}$ INCHES $\pm .005"$ ANGULAR $\pm 2^\circ$	3-19-05	1A3321
	<p>▲ (O) INDICATES CRITICAL DIMENSION OR FEATURE</p>	THIRD ANGLE PROJECTION	TITLE WASHER	
	<p>INCHES (OR U.S. UNITS) IS THE PRIMARY UNIT OF MEASURE METRIC (mm) [INCHES]</p>		SUP. NO. 1A3321 G	DATED 11-18-03
		DWG. CEM	CHK.	REV. H
		PAGE 1 OF 2		J05050
<p>COOPER Bussmann St. Louis, MO 63178</p>				
C/F NO. 64108		DISTRIBUTION		J

PART FEATURES TO BE SYMMETRICAL ABOUT INDICATED CENTER LINE WITHIN $.25$ TIR RFS.
[.010]



.81
[.032]



MATERIAL: NEOPRENE, DURO 70
BULK PACKAGING SPECIFICATION #1P1586

UNCONTROLLED COPY
COPIA NO CONTROLADA

FOR HTB FUSEHOLDERS

