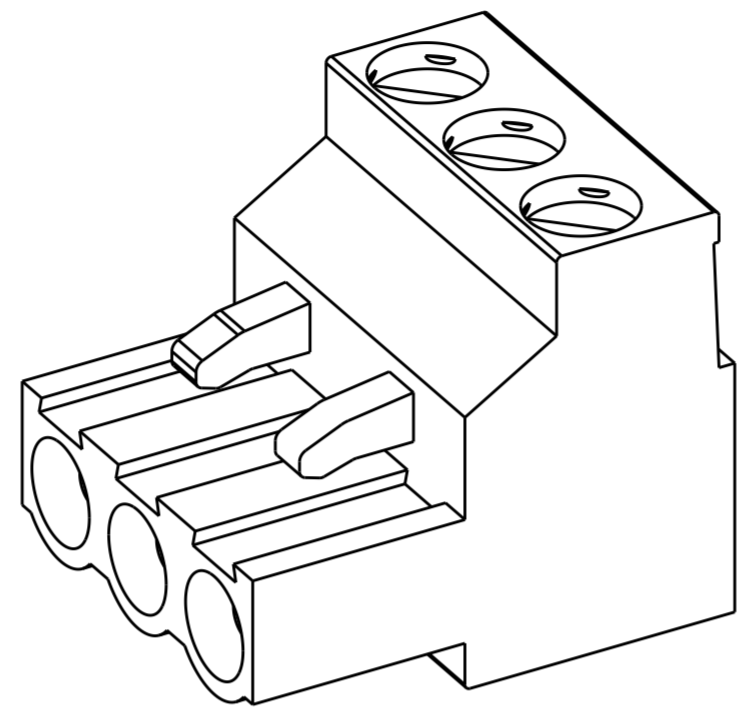
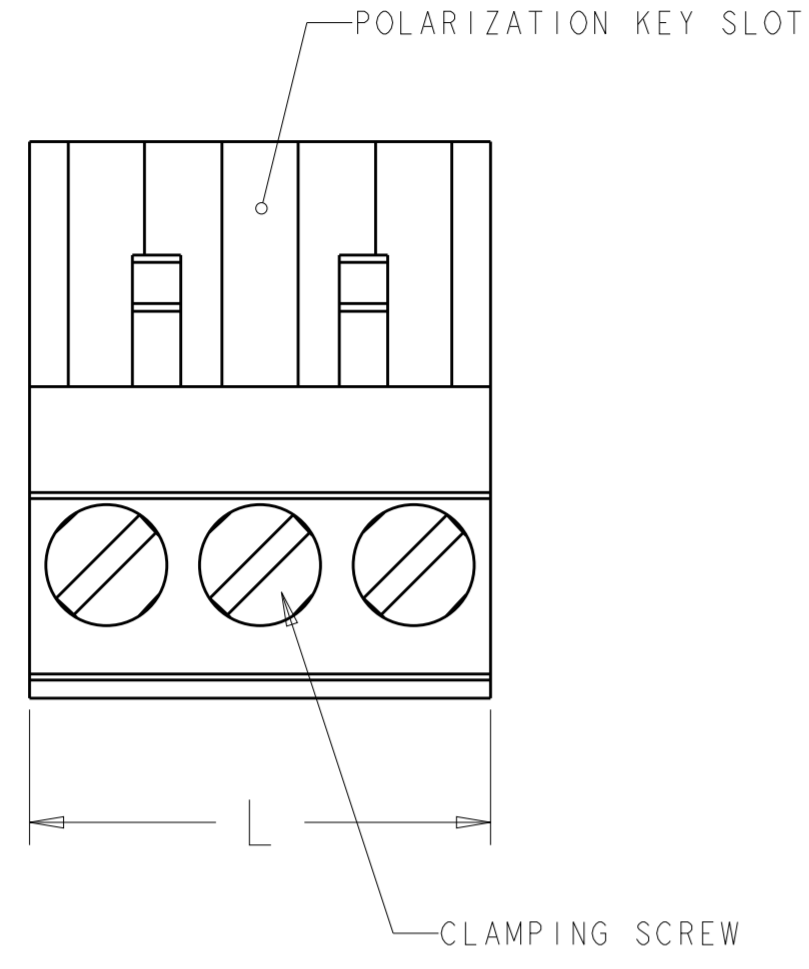
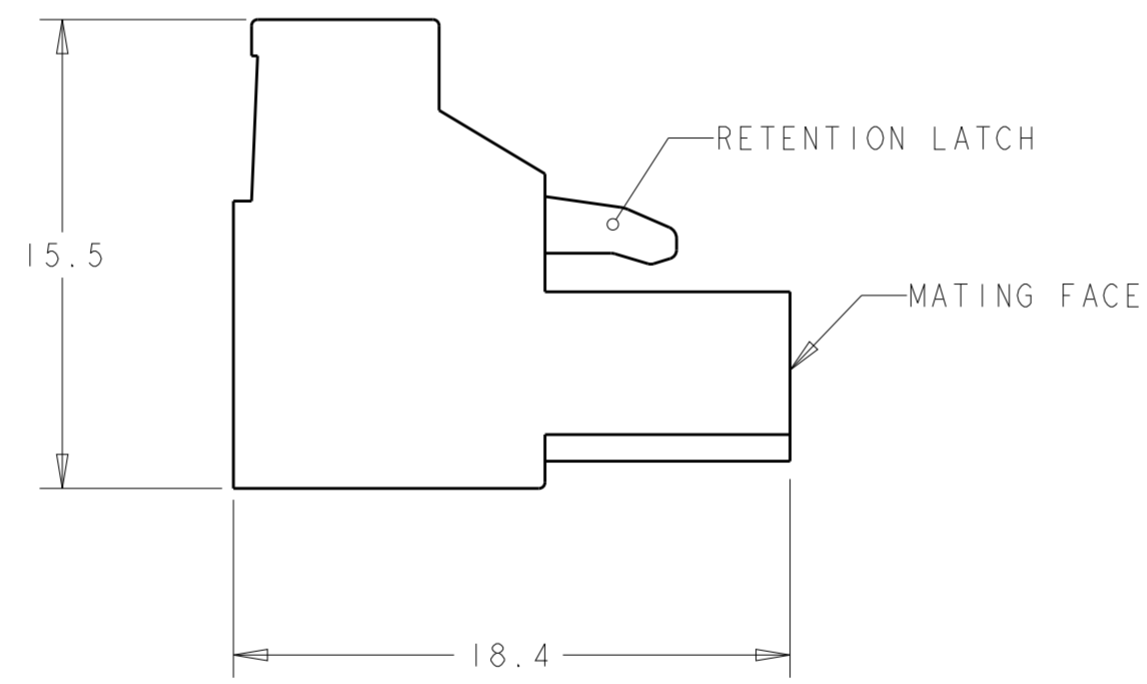
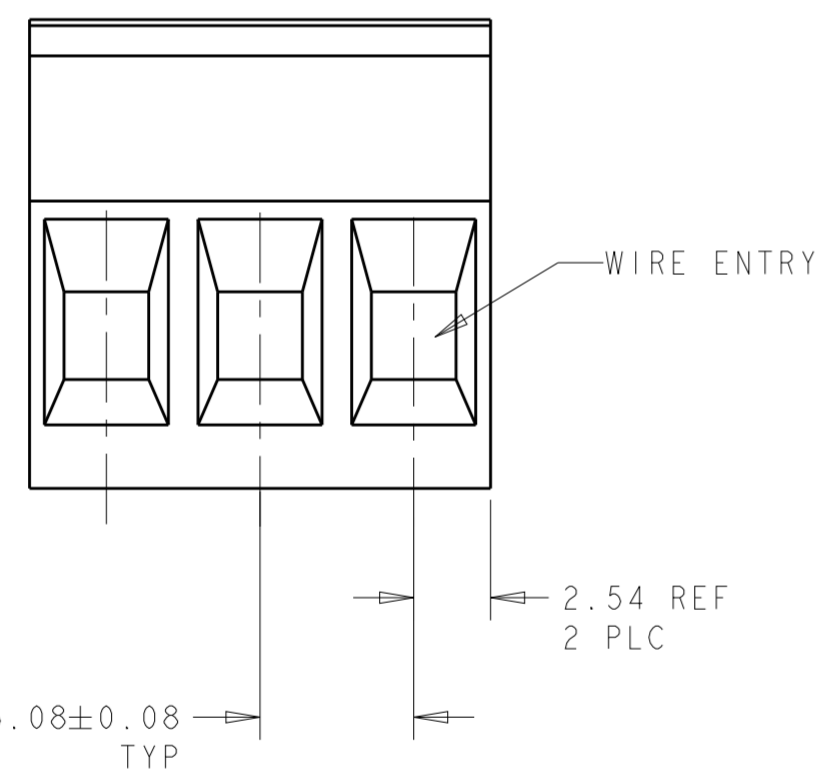


THIS DRAWING IS UNPUBLISHED. RELEASED FOR PUBLICATION 20
 © COPYRIGHT 20 BY - ALL RIGHTS RESERVED.

LOC	DIST	REVISIONS					
FT	0	P	LTR	DESCRIPTION	DATE	DWN	APVD
		G11		REVISED PER ECO-14-000579	10MAY2014	NK	MM



796635-3 AS SHOWN



REVISION	DESCRIPTION	DATE	DWN	APVD	
PRELIMINARY	-	0.8µm GOLD	106.68±0.35	21	5-796635-8
PRELIMINARY	-	0.8µm GOLD	86.36±0.30	17	5-796635-7
PRELIMINARY	-	0.8µm GOLD	71.12	14	5-796635-6
PRELIMINARY	-	0.8µm GOLD	60.96	12	5-796635-5
PRELIMINARY	-	0.8µm GOLD	50.80	10	5-796635-4
PRELIMINARY	-	0.8µm GOLD	40.64	8	5-796635-3
PRELIMINARY	-	0.8µm GOLD	35.56	7	5-796635-2
PRELIMINARY	-	0.8µm GOLD	30.48	6	5-796635-1
PRELIMINARY	-	0.8µm GOLD	25.40	5	5-796635-0
PRELIMINARY	-	0.8µm GOLD	20.32±0.15	4	4-796635-9
PRELIMINARY	-	0.8µm GOLD	15.24±0.15	3	4-796635-8
PRELIMINARY	-	0.8µm GOLD	10.16±0.15	2	4-796635-7
DETAIL R	TIN	45.72	9	4-796635-6	
DETAIL P	TIN	10.16±0.15	2	4-796635-5	
-	0.8µm GOLD	20.32±0.15	4	4-796635-4	
-	0.8µm GOLD	45.72	9	4-796635-3	
DETAIL N	TIN	86.36±0.30	17	4-796635-2	
DETAIL M	TIN	66.04	13	4-796635-1	
PRELIMINARY	DETAIL L	TIN	60.96	12	4-796635-0
DETAIL K	TIN	15.24±0.15	3	3-796635-9	
DETAIL J	TIN	81.28±0.30	16	3-796635-8	
DETAIL H	TIN	15.24±0.15	3	3-796635-7	
-	GOLD	30.48±0.20	6	3-796635-6	
-	TIN	127.00±0.35	25	2-796635-5	
-	TIN	121.92±0.35	24	2-796635-4	
-	TIN	116.84±0.35	23	2-796635-3	
-	TIN	111.76±0.35	22	2-796635-2	
-	TIN	106.68±0.35	21	2-796635-1	
-	TIN	101.60±0.35	20	2-796635-0	
-	TIN	96.52±0.35	19	1-796635-9	
-	TIN	91.44±0.30	18	1-796635-8	
-	TIN	86.36±0.30	17	1-796635-7	
-	TIN	81.28±0.30	16	1-796635-6	
-	TIN	76.20±0.30	15	1-796635-5	
-	TIN	71.12	14	1-796635-4	
-	TIN	66.04	13	1-796635-3	
-	TIN	60.96	12	1-796635-2	
-	TIN	55.88	11	1-796635-1	
-	TIN	50.80	10	1-796635-0	
-	TIN	45.72	9	796635-9	
-	TIN	40.64	8	796635-8	
-	TIN	35.56±0.20	7	796635-7	
-	TIN	30.48±0.20	6	796635-6	
-	TIN	25.40±0.20	5	796635-5	
-	TIN	20.32±0.15	4	796635-4	
-	TIN	15.24±0.15	3	796635-3	
-	TIN	10.16±0.15	2	796635-2	

MARKING	CONTACT FINISH	L	NO OF POSN	PART NUMBER
---------	----------------	---	------------	-------------

- MATERIALS AND FINISH:
 HOUSING: PA 6-6, UL 94-V0, COLOR:BLACK.
 CLAMP: BRASS, NICKEL PLATED.
 CONTACT SPRING: PHOSPHOR BRONZE, FINISH: SEE TABLE.
 CLAMPING SCREW: M3, BRASS, NICKEL PLATED.
- END-TO-END STACKABLE WITHOUT LOSS OF CENTERLINE SPACING.
- WIRE SIZE RANGE: 12-30 AWG.
- RECOGNIZED UNDER THE COMPONENT PROGRAM OF UNDERWRITERS LABORATORIES INC. FILE N° E60677.
- IMQ CERTIFICATE WITH SURVEILLANCE IN CONFORMITY WITH IEC 998-1/998-2-1.
- INK MARKING, WHITE COLOR.

THIS DRAWING IS A CONTROLLED DOCUMENT.

DWN: S. WELDON 18OCT2000
 CHK: D. BIEVENOUR 18OCT2000
 APVD: D. BIEVENOUR 18OCT2000

STE TE Connectivity

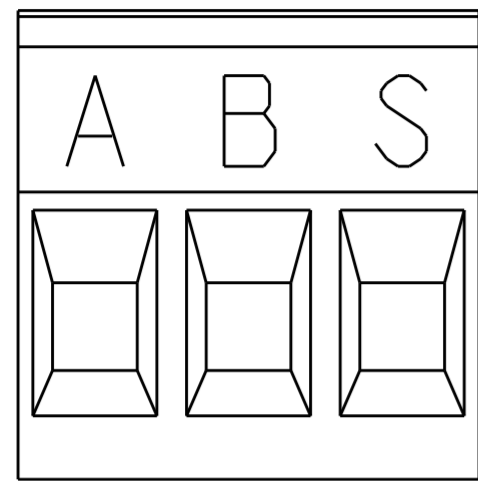
NAME: TERMINAL BLOCK, PLUG, STACKING, 5.08mm PITCH

SIZE: A2 CAGE CODE: 00779 DRAWING NO: C-796635

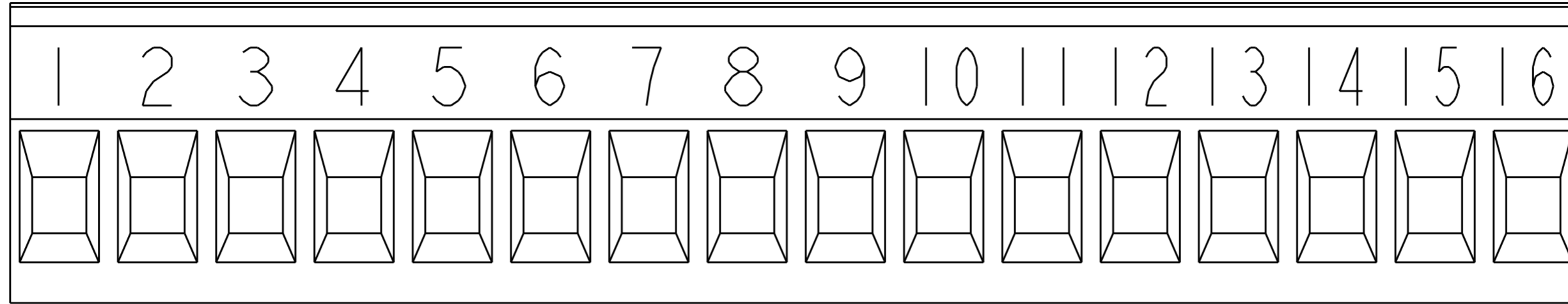
SCALE: 2:1 SHEET 1 OF 2 REV: G11

THIS DRAWING IS UNPUBLISHED. RELEASED FOR PUBLICATION 20
 © COPYRIGHT 20 BY - ALL RIGHTS RESERVED.

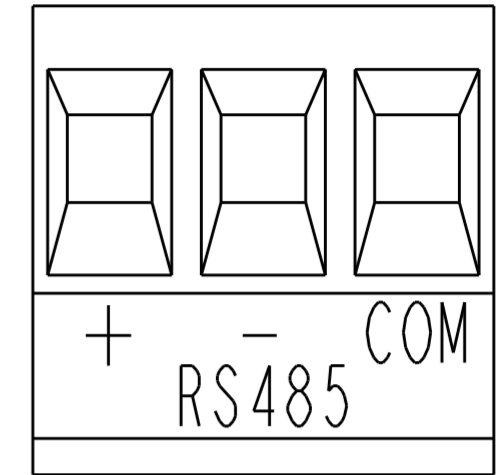
LOC	DIST	REVISIONS					
FT	0	P	LTR	DESCRIPTION	DATE	DWN	APVD
		-		SEE SHEET 1			



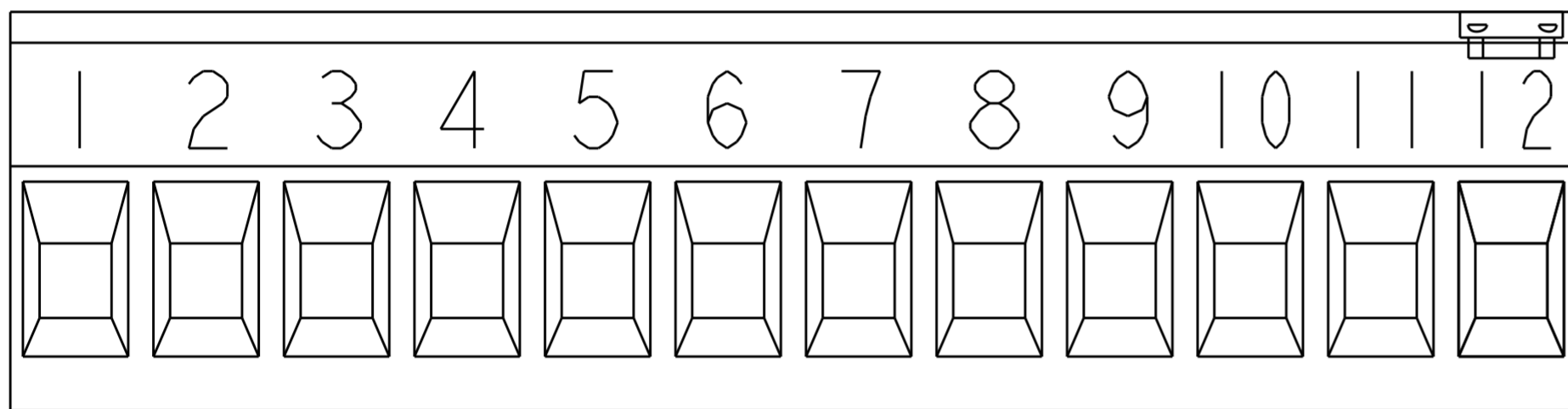
6
DETAIL H



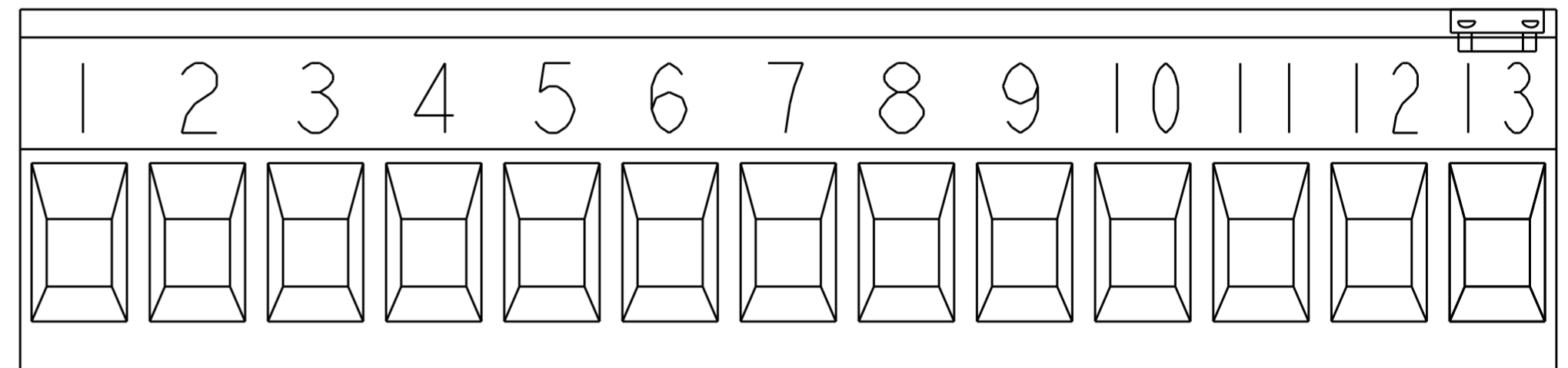
6
DETAIL J



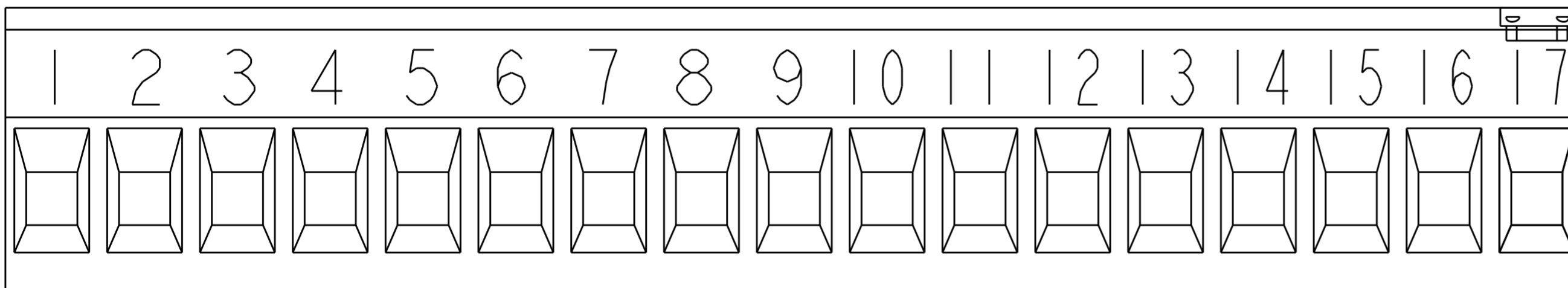
6
DETAIL K



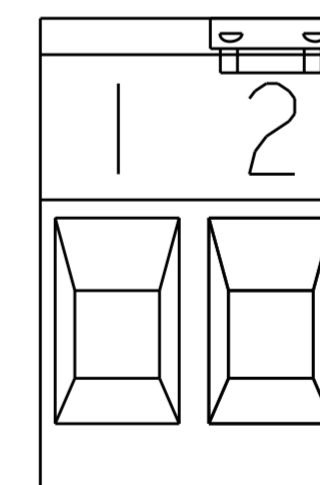
6
DETAIL L



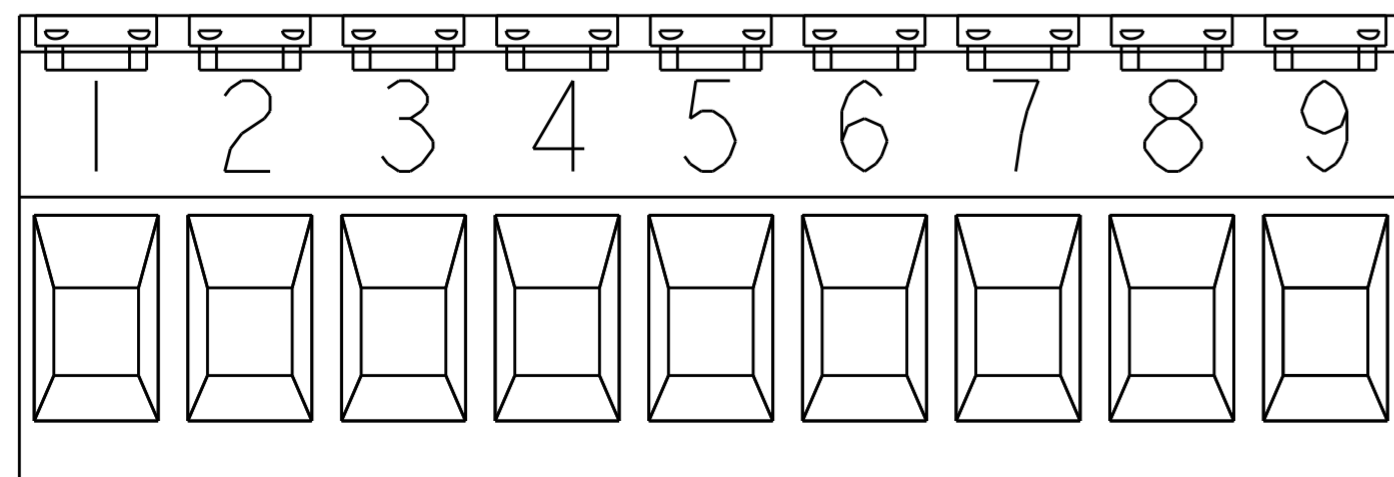
6
DETAIL M



6
DETAIL N



6
DETAIL P



6
DETAIL R

THIS DRAWING IS A CONTROLLED DOCUMENT.		DWN S. WELDON 18OCT2000	 TE Connectivity	NAME		
DIMENSIONS:		CHK D. BIEVENOUR 18OCT2000		TERMINAL BLOCK, PLUG, STACKING,		
TOLERANCES UNLESS OTHERWISE SPECIFIED:		APVD D. BIEVENOUR 18OCT2000		5.08mm PITCH		
mm		PRODUCT SPEC		-		
0 PLC ±		APPLICATION SPEC	SIZE	CAGE CODE	DRAWING NO	RESTRICTED TO
1 PLC ±0.2		WEIGHT	A200779	G-796635		
2 PLC ±0.0		CUSTOMER DRAWING	SCALE	SHEET	OF	REV
3 PLC ±0.000			2:1	2	2	G11
4 PLC ±0.0000						
ANGLES ±2°						
FINISH						