

## Model 53

### Low Cost Load Cell



#### DESCRIPTION

Model 53 load cells are bonded foil strain gage transducers designed for cost efficient production and testing applications (i.e. press calibration). Engineered compression force measurements up to 50K lb., this model achieves a maximum non-linearity of 0.5 % full scale. Precision gaging techniques and a stainless steel construction provides excellent long-

term stability and reliability under severe operating conditions. The Model 53 compression-only load cell has an integral load button machined as part of the load cell. The Model 53 must be mounted on a smooth flat surface for proper operation. Three tapped holes are provided for mounting.

#### FEATURES

- 5 lb to 50K lb
- Stainless steel
- Mini footprint
- Button-style design
- mV/V output

# Model 53

## PERFORMANCE SPECIFICATIONS

Characteristic	Measure
Load ranges <sup>5</sup>	5 lb to 50K lb
Linearity (max.)	±0.5 % full scale
Hysteresis (max.)	±0.3 % full scale
Non-repeatability (max.)	±0.1 % full scale
Output (tolerance)	2 mV/V (nominal)
Operation	Compression
Resolution	Infinite

## ENVIRONMENTAL SPECIFICATIONS

Characteristic	Measure
Temperature, operating	-54 °C to 121 °C [-65 °F to 250 °F]
Temperature, compensated	15 °C to 71 °C [60 °F to 160 °F]
Temperature effect, zero	±0.005 % full scale/°F
Temperature effect, span	±0.01 % full scale/°F

## ELECTRICAL SPECIFICATIONS

Characteristic	Measure
Strain gage type	Bonded foil
Excitation (calibration) 5 lb to 100 lb	5 Vdc
Excitation (calibration) 250 lb to 50K lb	10 Vdc
Insulation resistance	5000 Mohm @ 50 Vdc
Bridge resistance (tolerance)	350 ohm (nominal)
Zero balance (tolerance)	±3 % full scale
Shunt calibration data	Included
Electrical termination (std)	Teflon cable 1.83 m [5 ft]

## MECHANICAL SPECIFICATIONS

Characteristic	Measure
Weight	See table
Material	17-4 PH stainless steel
Maximum allowable load	150 % full scale <sup>1</sup>
Deflection full scale	See table
Natural frequency	See table

## WIRING CODES

Cable	Unamplified
Red	(+) excitation
Black	(-) excitation
Green	(-) output
White	(+) output

## RANGE CODES

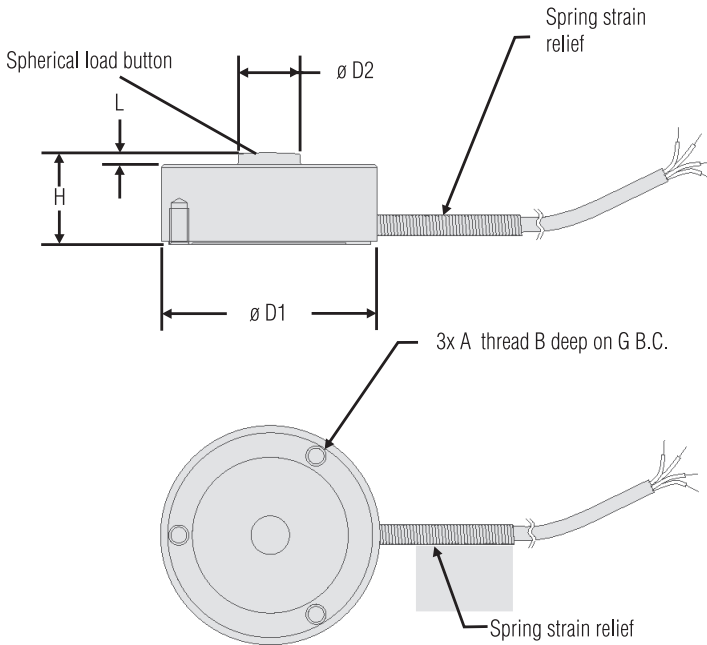
Range Code	Available ranges	Range Code	Available ranges
AT	5 lb	DN	3000 lb
AV	10 lb	DP	4000 lb
BL	25 lb	DR	5000 lb
BN	50 lb	DT	7500 lb
BR	100 lb	DV	10K lb
CN	250 lb	EJ	15K lb
CR	500 lb	EL	20K lb
CV	1000 lb	EN	30K lb
DL	2000 lb	EP	50K lb

## DEFLECTIONS AND RINGING FREQUENCIES

Capacity (lb)	Deflection @ full scale (in)	Natural ringing frequency (Hz)	Weight with cable g [lb]
5	0.001	2000	59 [0.13]
10	0.001	3000	59 [0.13]
25	0.001	16K	62 [0.136]
50	0.001	21K	63 [0.138]
100	0.001	28K	64 [0.141]
250	0.001	25K	72 [0.158]
500	0.001	32K	72 [0.158]
1000	0.001	42K	75 [0.165]
2000	0.001	53K	77 [0.17]
3000	0.001	27K	137 [0.30]
4000	0.001	31K	138 [0.304]
5000	0.001	34K	140 [0.306]
7500	0.001	41K	142 [0.313]
10K	0.001	47K	145 [0.32]
15K	0.002	24K	368 [0.811]
20K	0.002	28K	372 [0.820]
30K	0.002	33K	377 [0.831]
50K	0.003	24K	1270 [2.8]

### MOUNTING DIMENSIONS

Ranges lb	D1 mm [in]	D2 mm [in]	H mm [in]	L mm [in]	A in	B mm [in]	G mm [in]
5, 10, 25, 50, 100	25,4 [1.00]	5,33 [0.21]	15,75 [0.62]	1,27 [0.05]	#4-40 UNC	5,59 [0.22]	19,05 [0.750]
250, 500, 1000, 2000	31,75 [1.25]	8,13 [0.32]	9,91 [0.39]	1,78 [0.07]	#6-32 UNC	6,35 [0.25]	25,4 [1.000]
3000, 4000, 5000, 7500, 10K	38,1 [1.50]	10,16 [0.40]	16,0 [0.63]	2,03 [0.08]	#6-32 UNC	6,35 [0.25]	31,75 [1.250]
15K, 20K, 30K	50,8 [2.00]	15,24 [0.60]	25,4 [1.00]	3,05 [0.12]	#6-32 UNC	6,35 [0.25]	41,28 [1.625]
50K	76,2 [3.00]	19,81 [0.78]	38,1 [1.50]	4,57 [0.18]	#6-32 UNC	6,35 [0.25]	60,33 [2.375]



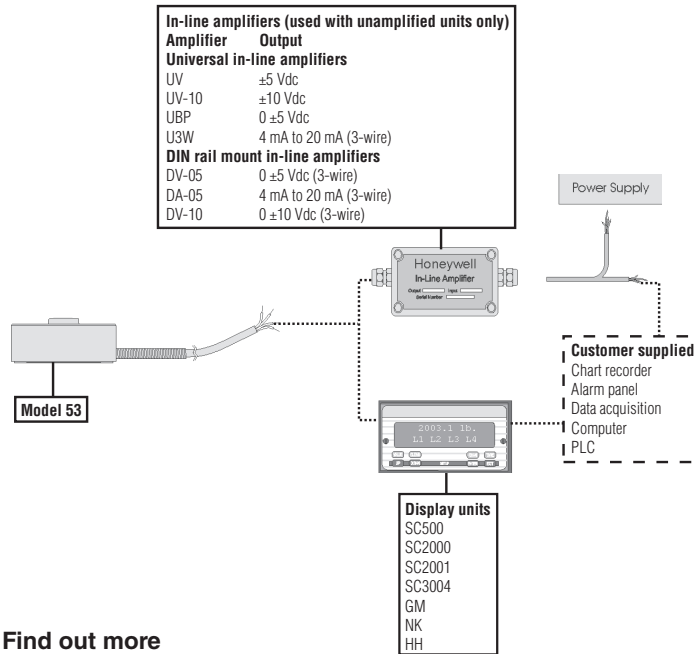
### OPTION CODES

	<b>Many range/option combinations are available in our quick-ship and fast-track manufacture programs. Please see <a href="http://sensing.honeywell.com/TMsensor-ship">http://sensing.honeywell.com/TMsensor-ship</a> for updated listings.</b>	
<b>Load ranges</b>	5, 10, 25, 50, 100, 250, 500, 1000, 2000, 3000, 4000, 5000, 7500, 10K, 15K, 20K, 30K, 50K lb	
<b>Temperature compensation</b>	1a. 60 °F to 160 °F 1b. 30 °F to 130 °F 1c. 0 °F to 185 °F 1d. -20 °F to 130 °F 1e. -20 °F to 200 °F 1f. 70 °F to 250 °F	1g. 70 °F to 325 °F 1h. 70 °F to 400 °F 1i. -65 °F to 250 °F 1j. 0 °C to 50 °C 1k. -20 °C to 85 °C 1m. -25 °C to 110 °C
<b>Internal amplifiers</b>	2u. Unamplified, mV/V output	
<b>Electrical termination</b>	6d. Microtec DR-4S-4H 4-pin 6e. Integral cable: Teflon 6f. Integral cable: PVC 6g. Integral cable: Neoprene	6h. Integral cable: Silicone 6i. Integral underwater cable <sup>3</sup> 6v. Phoenix connector on end of cable
<b>Special calibration</b>	9a. 10 point (5 up/5 down) 20 % increments @ 68 °F 9b. 20 point (10 up/10 down) 10 % increments @ 68 °F	
<b>Shock and vibration</b>	44a. Shock and vibration resistance	
<b>Interfaces</b>	53e. Signature calibration <sup>6</sup> 53t. TEDS IEEE 1451.4 module <sup>4</sup>	

## NOTES

1. Allowable maximum loads – maximum load to be applied without damage.<sup>2</sup>
2. Without damage - loading to this level will not cause excessive zero shift or performance degradation. The user must consider fatigue life for long term use and structural integrity. All structurally critical applications (overhead loading, etc.) should always be designed with safety redundant load paths.
3. Dimension "H" may increase with option 6i. Consult factory. Maximum temperature is 180 °F.
4. TEDS available with integral cable units only.
5. This unit calibrated to Imperial (non-Metric) units.
6. Signature calibration only available as inline module.

## TYPICAL SYSTEM DIAGRAM



## Find out more

Honeywell serves its customers through a worldwide network of sales offices, representatives and distributors. For application assistance, current specifications, pricing or name of the nearest Authorized Distributor, contact your local sales office. To learn more about Honeywell's test and measurement products, call **+1-614-850-5000**, visit <http://measurementsensors.honeywell.com>, or e-mail inquiries to [info.tm@honeywell.com](mailto:info.tm@honeywell.com)

Sensing and Control  
 Honeywell  
 1985 Douglas Drive North  
 Golden Valley, MN 55422  
**honeywell.com**

**Warranty.** Honeywell warrants goods of its manufacture as being free of defective materials and faulty workmanship. Honeywell's standard product warranty applies unless agreed to otherwise by Honeywell in writing; please refer to your order acknowledgement or consult your local sales office for specific warranty details. If warranted goods are returned to Honeywell during the period of coverage, Honeywell will repair or replace, at its option, without charge those items it finds defective. **The foregoing is buyer's sole remedy and is in lieu of all warranties, expressed or implied, including those of merchantability and fitness for a particular purpose. In no event shall Honeywell be liable for consequential, special, or indirect damages.**

While we provide application assistance personally, through our literature and the Honeywell web site, it is up to the customer to determine the suitability of the product in the application.

### ⚠ WARNING PERSONAL INJURY

- DO NOT USE these products as safety or emergency stop devices or in any other application where failure of the product could result in personal injury.

**Failure to comply with these instructions could result in death or serious injury.**

### ⚠ WARNING MISUSE OF DOCUMENTATION

- The information presented in this datasheet is for reference only. DO NOT USE this document as product installation information.
- Complete installation, operation and maintenance information is provided in the instructions supplied with each product.

**Failure to comply with these instructions could result in death or serious injury.**