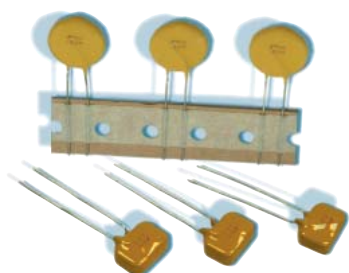


# No. HVR600



## High Voltage PTC Device, 60 V / 600 V

**Standard**  
UL 1434 1<sup>st</sup> Edition  
CSA C22.2 No. 0 CSA TIL No. CA-3A

**Approvals**  
cULus Recognition  
TÜV

### Features

This product line is designed to provide protection against induced AC power current, direct power contact and the natural lightning strike. The HVR600 product line is widely used in the field of telecommunications and networking, ISDN and XSDN equipment. It also helps equipment manufacturers pass ITU K20, K21 and telcordia requirements.

## Specifications

### Packaging

A: bulk  
F: tape and ammo

### Materials

Insulating Material: Yellow Epoxy Polymer, UL 94V0

Round Pins: Copper alloy, tin plated

**Max. Device Surface Temperature in Tripped State**  
125 °C

### Operating / Storage Temperature

-40 °C to +85 °C (consider de-rating)

### Humidity Ageing

+85 °C, 85 % R.H., 1000 hours, ± 5 % typical resistance change

### Soldering Characteristics

Solderability per MIL-STD-202, Method 208E

### Thermal Shock

MIL-STD-202F, Method 107G

+125 °C to -40 °C 10 times, ±5 % typical resistance change

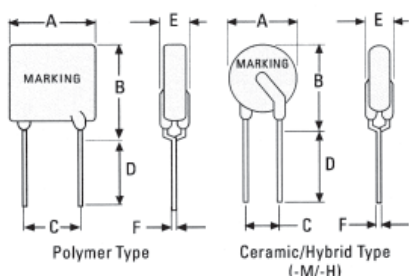
### Solvent Resistance

MIL-STD-202, Method 215F, no change

### Marking

"P", voltage, amperage rating, lot number

### Dimensions (mm)



**Devices are not intended for continuous use at 250 V / 600 V!**



Dimensions (mm)									
Model	A	B	C	D	E	Physical Characteristics		packaging quantity	
	Max	Max	typ	Min	Max	Lead	Material	bag	ammo
HVR600P150C	13,5	12,6	5,1	4,7	6,0	0.65 dia	Sn/Cu	200	600
HVR600P150C-RA	13,5	12,6	5,1	4,7	6,0	0.65 dia	Sn/Cu	200	600
HVR600P150C-RB	13,5	12,6	5,1	4,7	6,0	0.65 dia	Sn/Cu	200	600
HVR600P150CF	13,5	12,6	5,1	4,7	6,0	0.65 dia	Sn/Cu	200	600
HVR600P160C	16,0	12,6	5,1	4,7	6,0	0.65 dia	Sn/Cu	200	500
HVR600P160C-RA	16,0	12,6	5,1	4,7	6,0	0.65 dia	Sn/Cu	200	500
HVR600P160C-R1	16,0	12,6	5,1	4,7	6,0	0.65 dia	Sn/Cu	200	500
HVR600P160CF	16,0	12,6	5,1	4,7	6,0	0.65 dia	Sn/Cu	200	500

Permissible continuous operating current is ≤ 100 % at ambient temperature of 20 °C (68 °F).											
Model	I <sub>hold</sub>	I <sub>Trip</sub> (A)	V <sub>max.</sub> V <sub>int/AC</sub> /V <sub>op/DC</sub> *	I <sub>max.</sub> (A)	max. time to trip (s @ A)	P <sub>d max.</sub> (W)	Resistance			Approvals	
							R <sub>min.</sub> ( )	R <sub>max.</sub> ( )	R <sub>I max.</sub> ( )	cURus	TÜV
HVR600P150C	0.15	0.30	600/60	3	5.00 @ 1.00	1.00	6.0	12.0	22.0	•	•
HVR600P150C-RA	0.15	0.30	600/60	3	5.00 @ 1.00	1.00	7.0	10.0	20.0	•	•
HVR600P150C-RB	0.15	0.30	600/60	3	4.50 @ 1.00	1.00	9.0	12.0	22.0	•	•
HVR600P150CF	0.15	0.30	600/60	3	5.00 @ 1.00	1.00	6.0	12.0	22.0	•	•
HVR600P160C	0.16	0.32	600/60	3	7.00 @ 1.00	1.00	4.0	10.0	18.0	•	•
HVR600P160C-RA	0.16	0.32	600/60	3	9.50 @ 1.00	1.00	4.0	7.0	16.0	•	•
HVR600P160C-R1	0.16	0.32	600/60	3	9.00 @ 1.00	1.00	4.0	8.0	17.0	•	•
HVR600P160CF	0.16	0.32	600/60	3	7.00 @ 1.00	1.00	4.0	10.0	18.0	•	•

\* V<sub>int</sub> : Interrupt Voltage    V<sub>op</sub> : Operating Voltage (V dc)

NOTE:  
I<sub>hold</sub> = Hold current: maximum current device will pass without tripping in 20 °C still air.  
I<sub>trip</sub> = Trip current: minimum current at which the device will trip in 20 °C still air.  
I<sub>max</sub> = Maximum fault current device can withstand without damage at rated voltage (V<sub>max</sub>)

P<sub>d</sub> = Power dissipated from device when in the tripped state at 20°C still air.  
R<sub>min</sub> = Minimum resistance of device in initial (un-soldered) state.  
R<sub>I max</sub> = Maximum resistance of device at 20°C measured one hour after tripping for 20 sec.  
**Caution:** Operation beyond the specified rating may result in damage and possible arcing and flame.

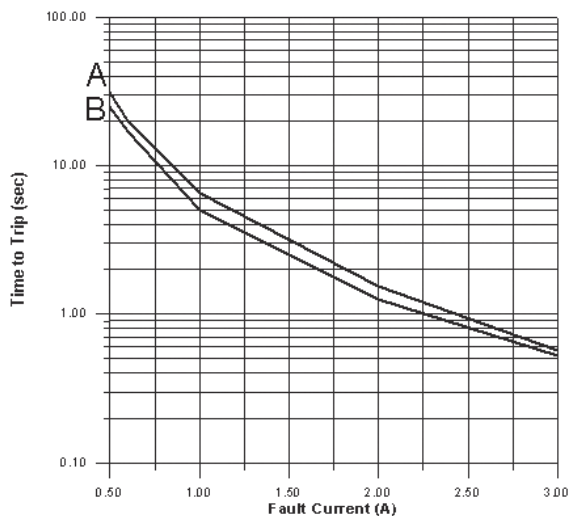
Order Information

Qty.	Order-Number	Model	Packaging
------	--------------	-------	-----------

Specifications are subject to change without notice.

## No. HVR600

### Average time-current curve

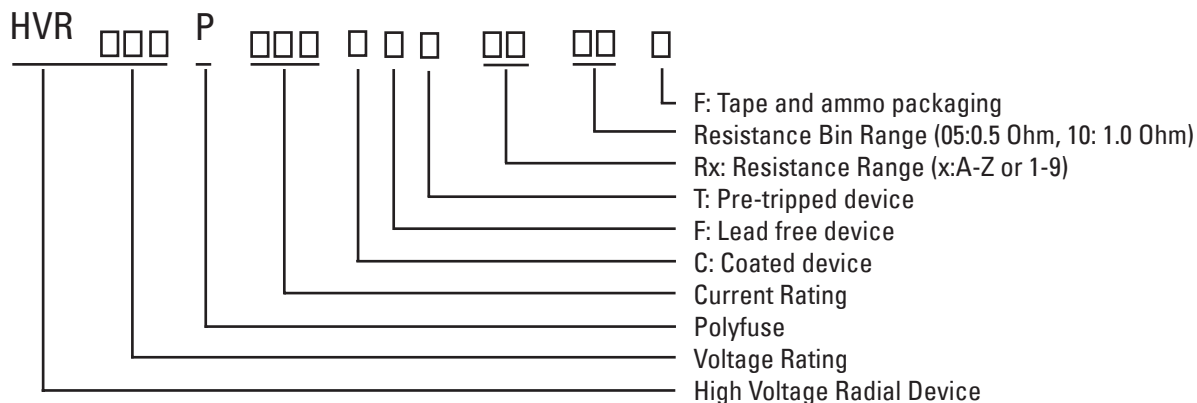


A : HVR600P160F  
B : HVR600P150F

### Agency Specification

Product	Lightning	Power Cross
HVR600P150C	FCC part 68 - 1.0 kV 10/160 μs 800 V 10/560 μs Telcordia GR - 1089 - 1.0 kV 10/1000 μs	UL60950, 3rd ed. - 600 V ac, 40 A
HVR600P160C		Telcordia GR - 1089 - 600 V ac, 60 A
HVR600P150CF		select a specific part number for each application based on the agency request
HVR160CF		

### Part-numbering system



### Thermal Derating Chart

Model	Ambient Operation Temperature - I <sub>hold</sub> (A)						
	-40 °C	-20 °C	0 °C	23 °C	40 °C	60 °C	85 °C
HVR600P150C	0.23	0.21	0.18	0.15	0.12	0.10	0.06
HVR600P160C	0.24	0.22	0.19	0.16	0.13	0.12	0.07
HVR600P150CF	0.23	0.21	0.18	0.15	0.12	0.10	0.06
HVR600P160CF	0.24	0.22	0.19	0.16	0.13	0.12	0.07