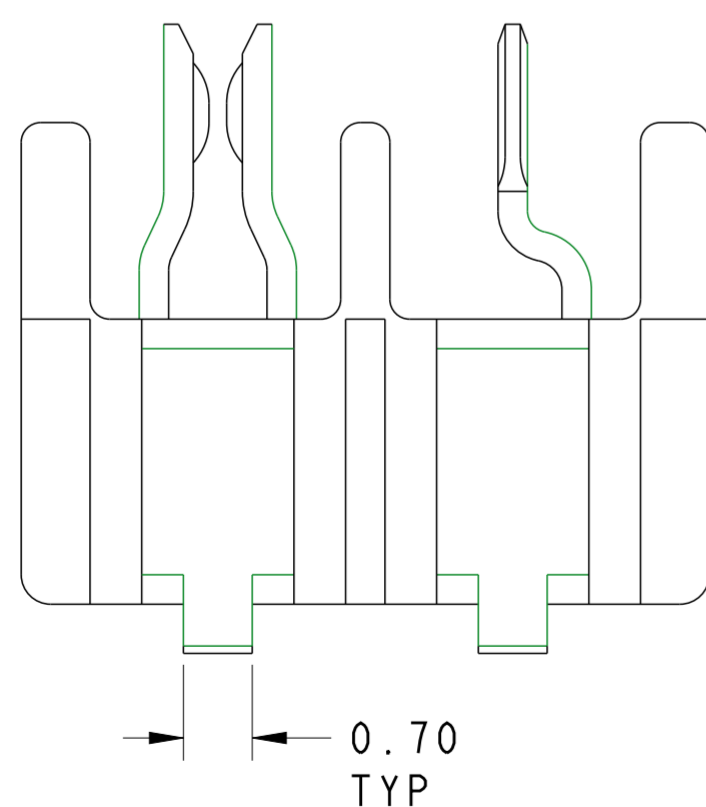
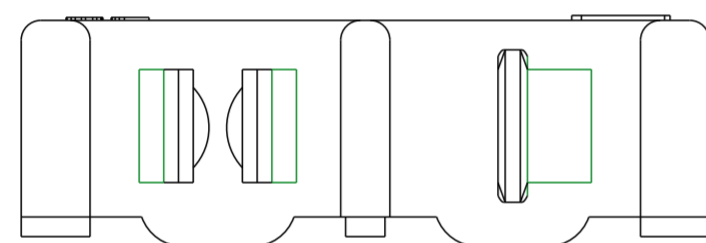
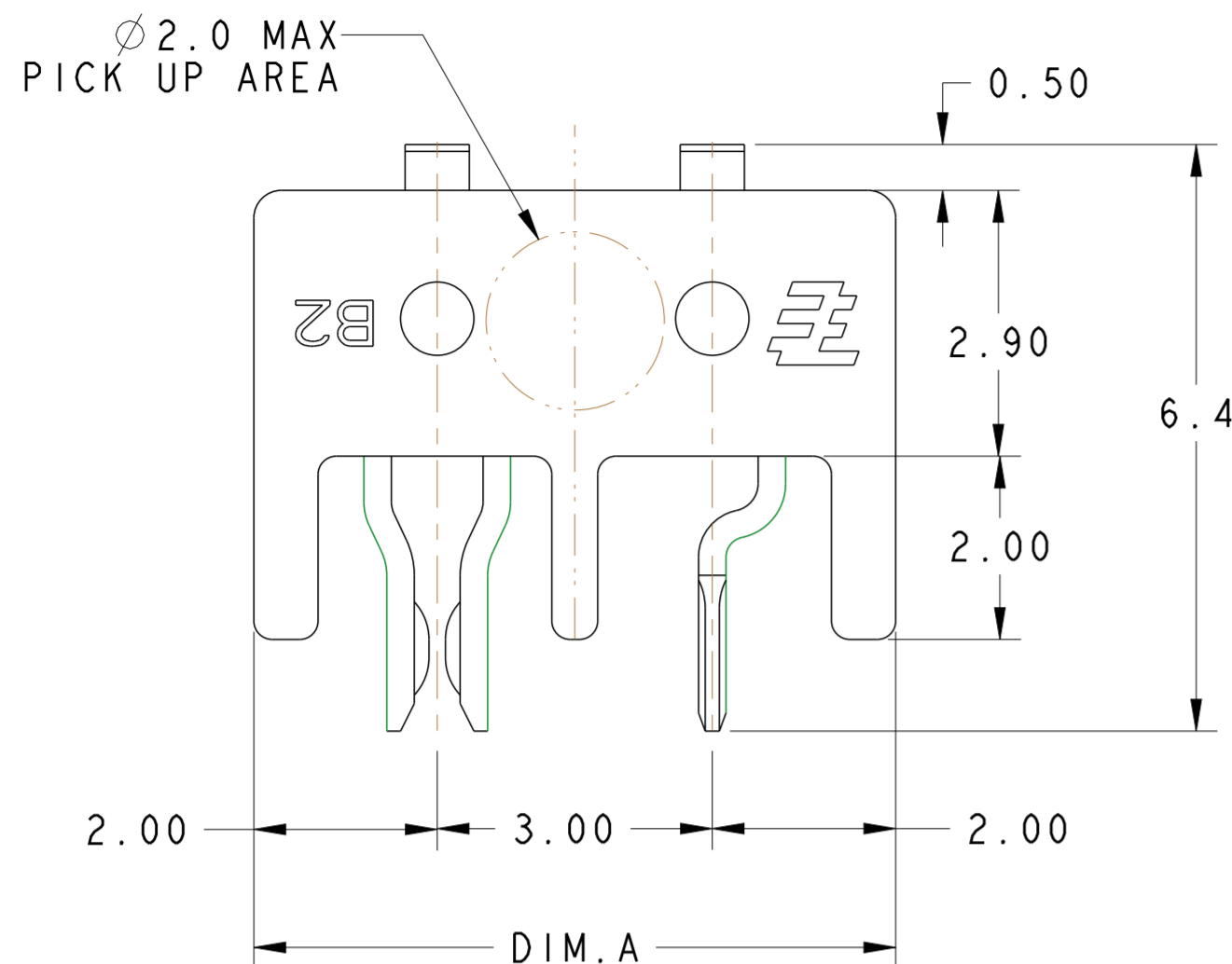
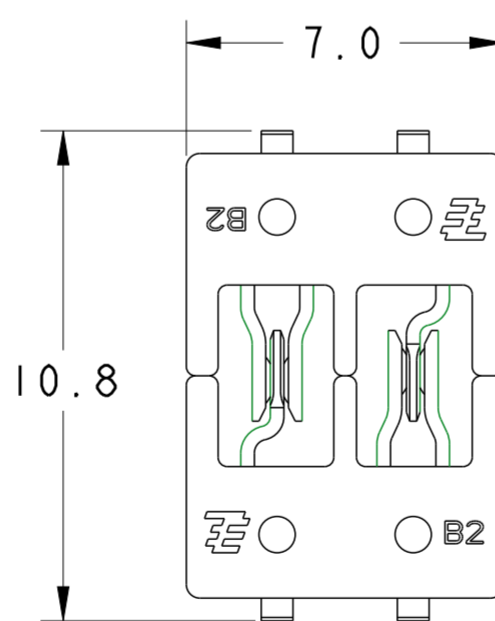
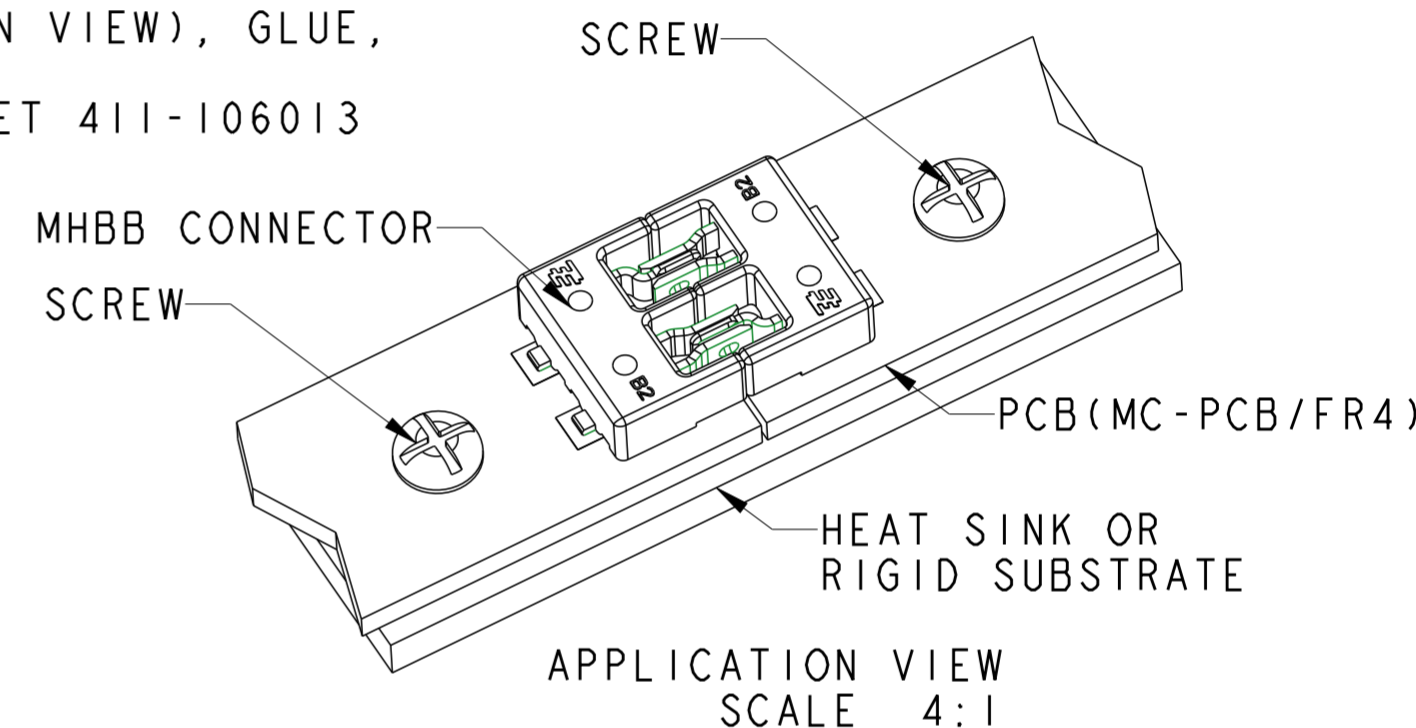
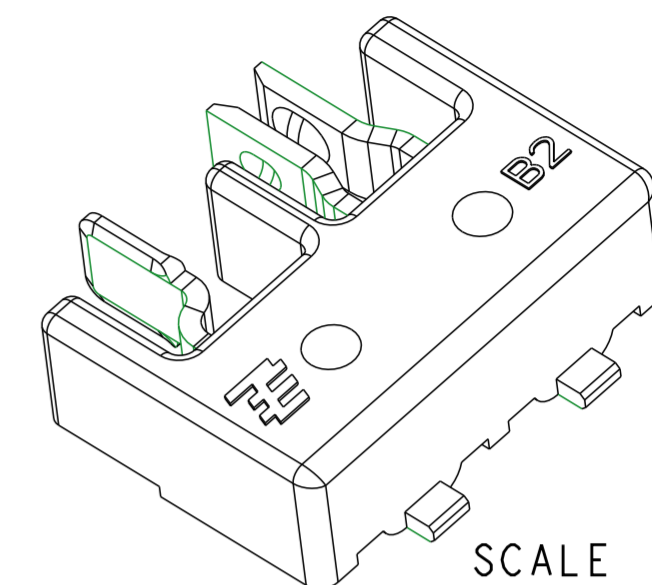


LOC		DIST		REVISIONS			
P	LTR	DESCRIPTION		DATE	DWN	APVD	
A		RELEASED DRAWING		11JAN2010	K. J	J. Z	
B		ECR-10-011153		27APR2010	K. J	J. Z	
C		ECR-11-000286		6JAN2011	K. J	X. X	
D		ECR-11-009157		3MAY2011	K. J	X. X	

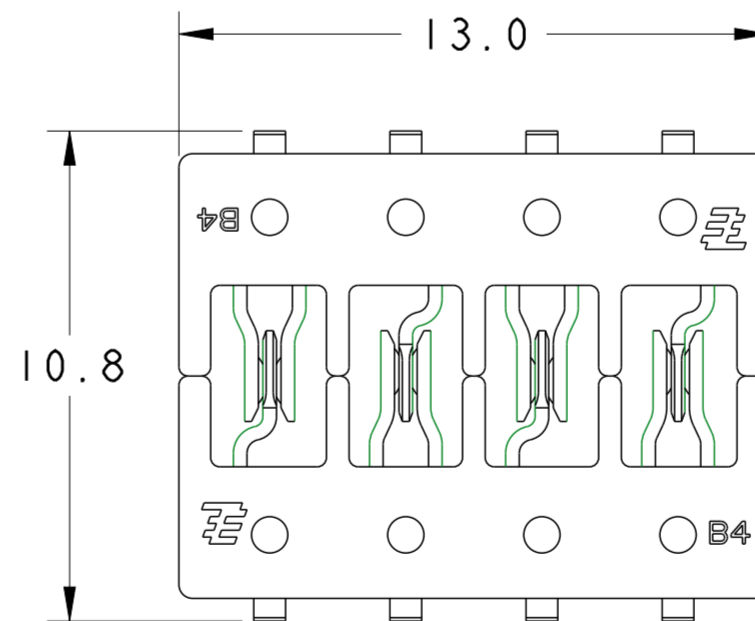


NOTES:

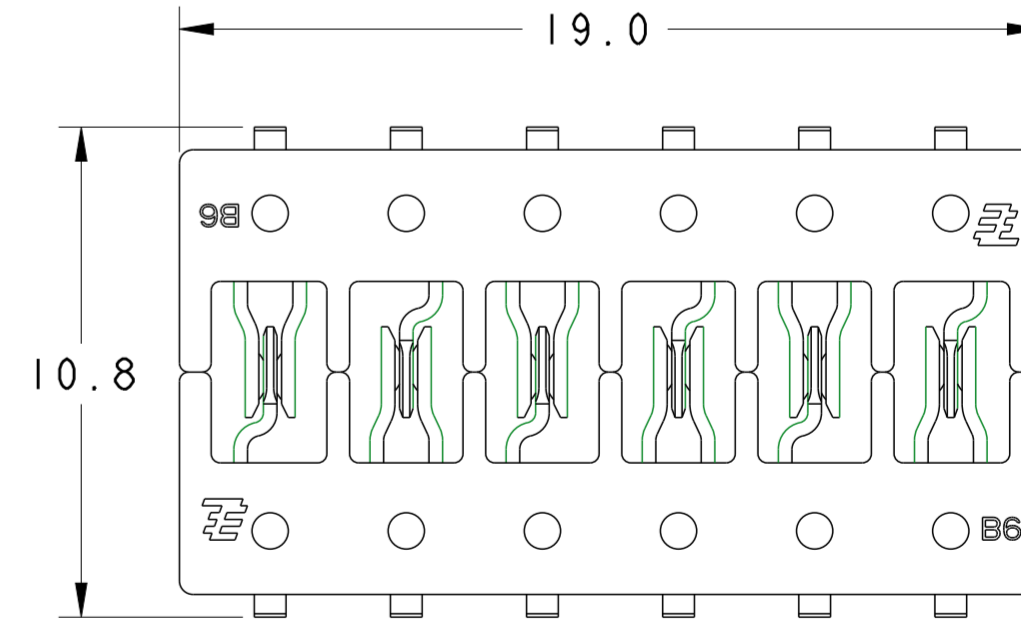
1. PACKAGED IN TAPE AND REEL PER IEA-481 SPECIFICATIONS.
2. MATERIAL AND FINISH:  
 -HOUSING: THERMAL PLASTIC  
 -PIN CONTACT:BRASS  
 -SOCKET CONTACT:COPPER ALLOY  
 -FINISH:TIN OVER NICKEL.
3. SUITABLE FOR SMT PROCESS.
4. TO ENSURE THE FUNCTION OF THE MINIATURE HERMAPHRODITIC B-B CONNECTORS, THE PCB WITH MINIATURE HERMAPHRODITIC B-B CONNECTORS SHOULD BE FIXED ON THE HEAT SINK OR SOME OTHER RIGID SUBSTRATE.  
 CUSTOMER CAN USE SCREW (SHOW AS APPLICATION VIEW), GLUE, OR SOME OTHER METHOD TO FIX THE PCBs.  
 FOR DETAIL PLEASE REFER TO INSTRUCTION SHEET 411-106013



1971567-1(2 MATING PARTS) SCALE 6:1



1971567-2(2 MATING PARTS) SCALE 6:1



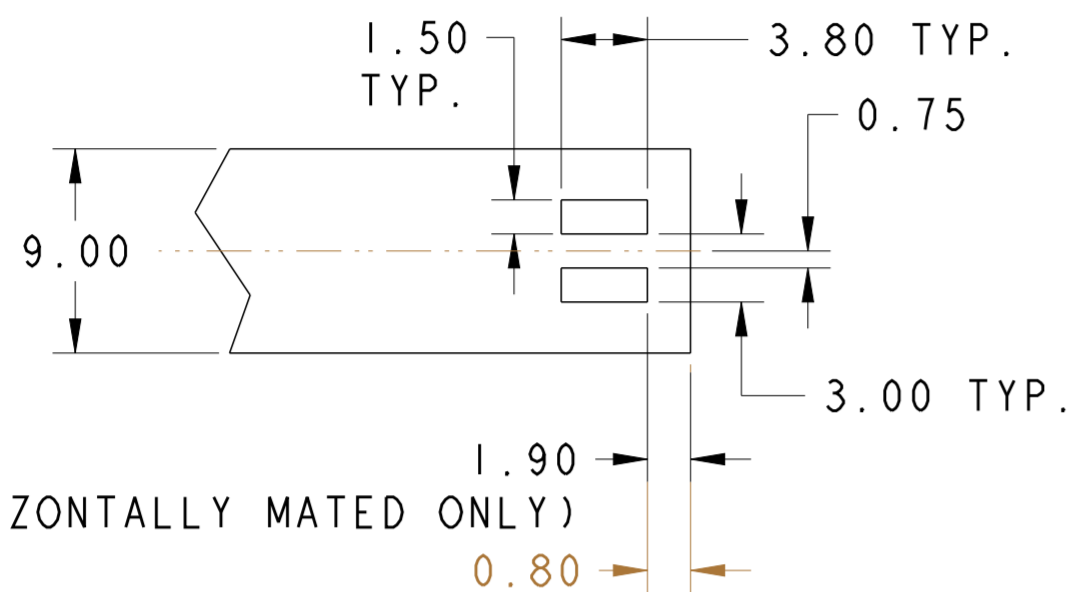
1971567-3(2 MATING PARTS) SCALE 6:1

NATURAL	6P	19.0	1971567-3
NATURAL	4P	13.0	1971567-2
NATURAL	2P	7.0	1971567-1
COLOR	POSITION	DIM A	PART NO

<small>THIS DRAWING IS A CONTROLLED DOCUMENT FOR TYCO ELECTRONICS CORPORATION. IT IS SUBJECT TO CHANGE AND THE CONTROLLING ENGINEERING ORGANIZATION SHOULD BE CONTACTED FOR THE LATEST REVISION.</small>		DWN KEVIN JIANG 23MAY2011 CHK TRACY TAO 23MAY2011 APVD XIANG XU 23MAY2011	Tyco Electronics Shanghai, CHINA
DIMENSIONS: mm 		PRODUCT SPEC 108-106050 APPLICATION SPEC 114-106050	NAME - MINIATURE HERMAPHRODITIC BOARD TO BOARD CONNECTOR
TOLERANCES UNLESS OTHERWISE SPECIFIED: 0 PLC ± 1 PLC ±0.5 2 PLC ±0.13 3 PLC ±0.013 4 PLC ±0.0001 ANGLES ± FINISH		WEIGHT - CUSTOMER DRAWING	SIZE A2 CAGE CODE 00779 DRAWING NO C-1971567 RESTRICTED TO -
MATERIAL -		SCALE 3:1	SHEET 1 OF 2 REV D

THIS DRAWING IS UNPUBLISHED. RELEASED FOR PUBLICATION 20  
 © COPYRIGHT 20 BY TYCO ELECTRONICS CORPORATION. ALL RIGHTS RESERVED.

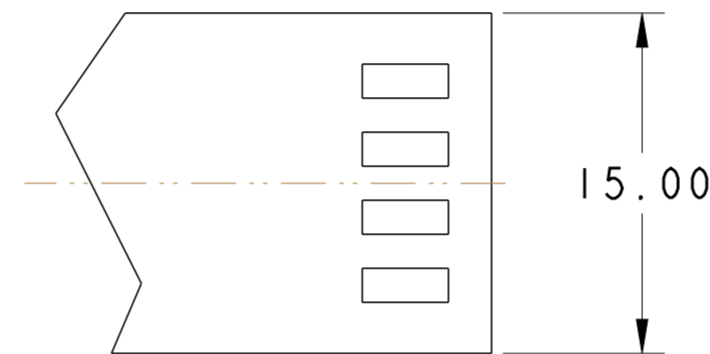
LOC	DIST	REVISIONS			
P	LTR	DESCRIPTION	DATE	DWN	APVD
-	-	SEE SHEET 1	-	-	-



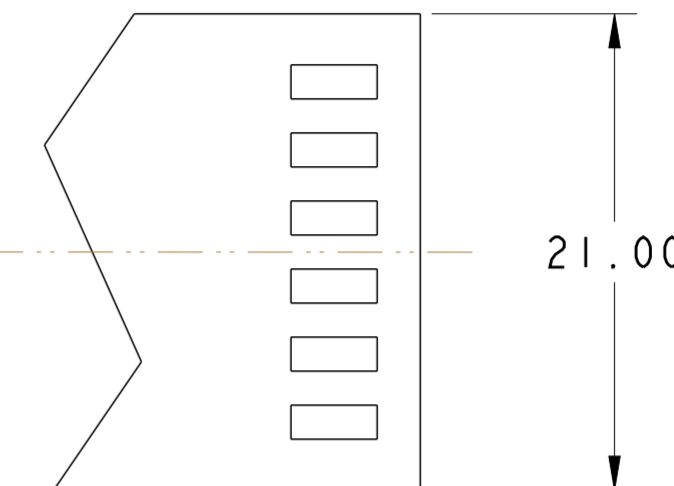
(TYPE 1: HORIZONTALLY MATED ONLY)

(TYPE 2: CAN BE BOTH VERTICALLY AND HORIZONTALLY MATED)

RECOMMENDED PCB LAYOUT FOR 1971567-1 (±0.10mm) SCALE 3:1

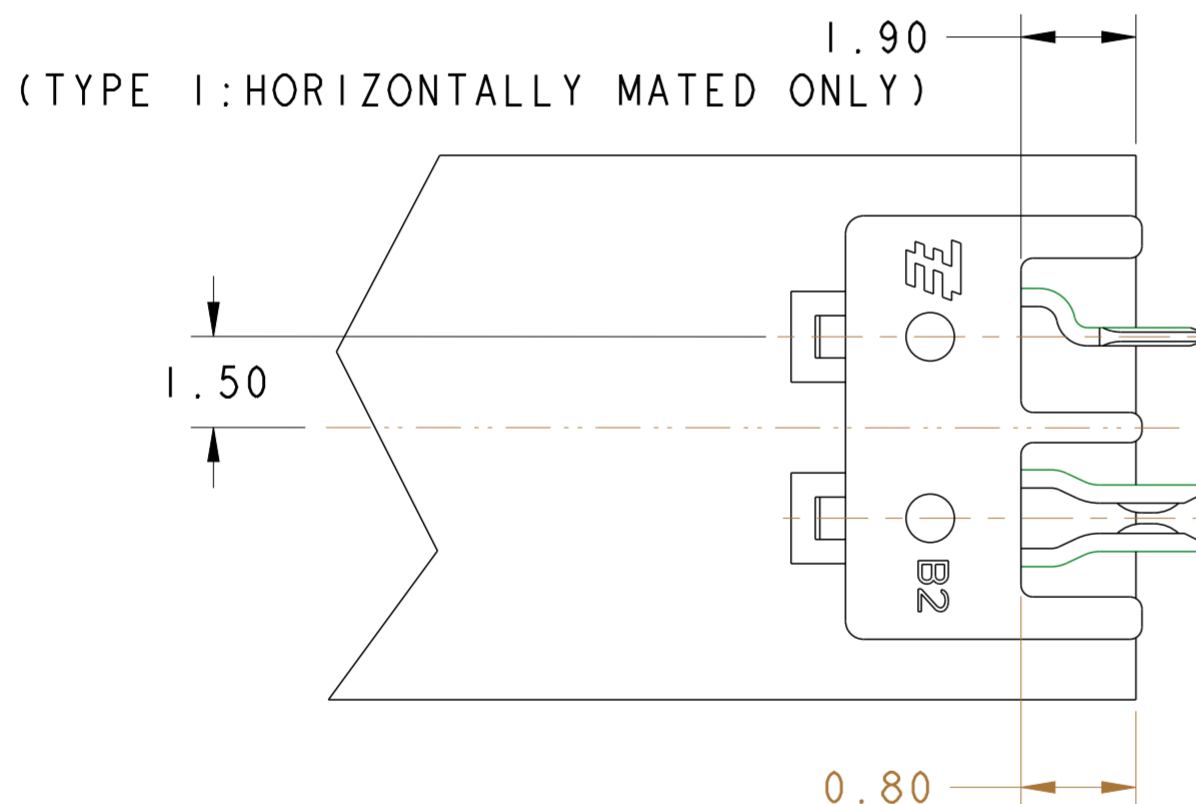


RECOMMENDED PCB LAYOUT FOR 1971567-2 (±0.10mm) SCALE 3:1



RECOMMENDED PCB LAYOUT FOR 1971567-3 (±0.10mm) SCALE 3:1

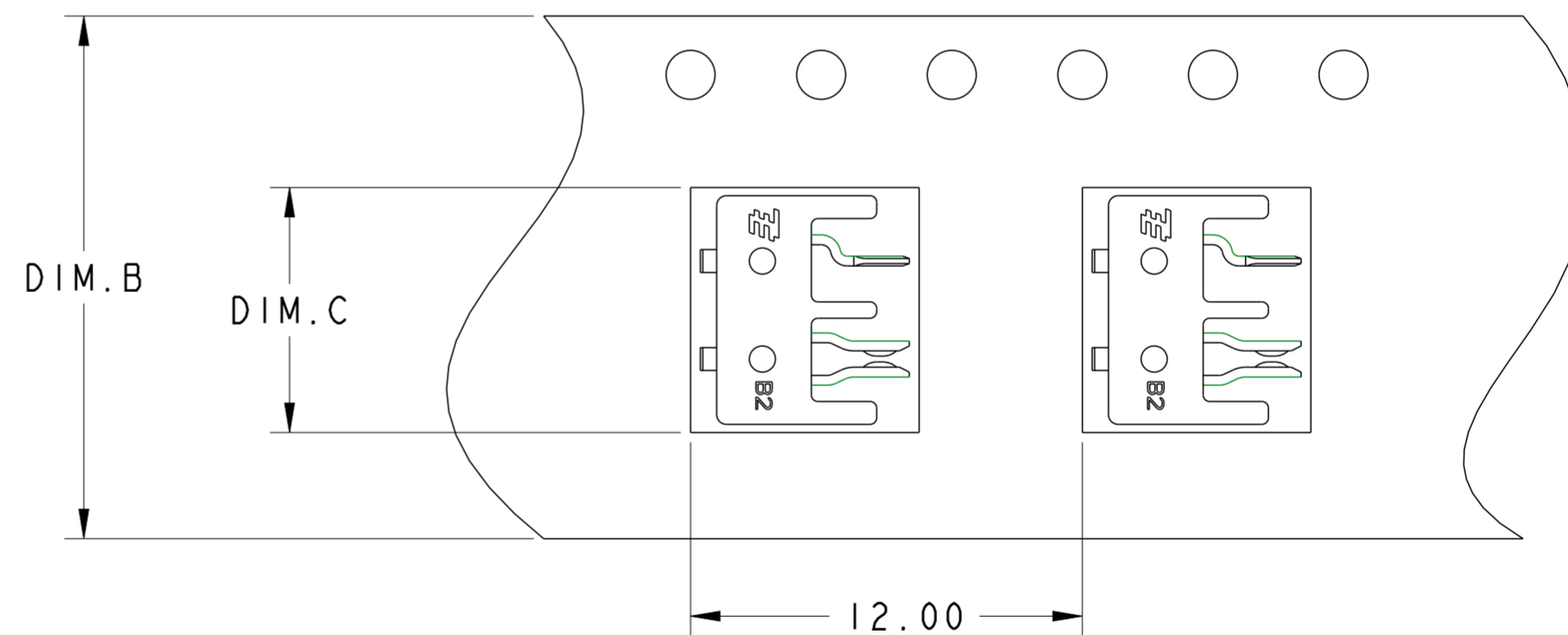
ALL FEATURES AND DIMENSIONS OF PCB LAYOUT FOR 1971567-2, 1971567-3 ARE THE SAME AS PCB LAYOUT FOR 1971567-1 EXCEPT AS SHOWN



(TYPE 1: HORIZONTALLY MATED ONLY)

(TYPE 2: CAN BE BOTH VERTICALLY AND HORIZONTALLY MATED)

SOLDERING LAYOUT (±0.10mm) SCALE 8:1



TO BE PACKAGED AS SHOWN (±0.10mm) SCALE 5:1

6P	19.30	32.00	1971567-3
4P	13.30	24.00	1971567-2
2P	7.30	16.00	1971567-1
POSITION	DIM.C	DIM.B	FOR P/N

<small>THIS DRAWING IS A CONTROLLED DOCUMENT FOR TYCO ELECTRONICS CORPORATION. IT IS SUBJECT TO CHANGE AND THE CONTROLLING ENGINEERING ORGANIZATION SHOULD BE CONTACTED FOR THE LATEST REVISION.</small>		DWN KEVIN JIANG 23MAY2011 CHK TRACY TAO 23MAY2011 APVD XIANG XU 23MAY2011	Tyco Electronics Shanghai, CHINA
DIMENSIONS: mm 	TOLERANCES UNLESS OTHERWISE SPECIFIED: 0 PLC ±- 1 PLC ±0.5 2 PLC ±0.13 3 PLC ±0.013 4 PLC ±0.0001 ANGLES ±- FINISH	PRODUCT SPEC 108-106050 APPLICATION SPEC 114-106050 WEIGHT - CUSTOMER DRAWING	NAME - MINIATURE HERMAPHRODITIC BOARD TO BOARD CONNECTOR SIZE A200779 CAGE CODE C-1971567 DRAWING NO G-1971567 RESTRICTED TO - SCALE 3:1 SHEET 2 OF 2 REV D