

RAFIX 16 - Toggle switch, square collar, alignable without gaps

1.30.075.041/0104

Only use contact blocks with momentary function.



General information

Form of collar square alignable

Dimensions

Collar dimensions 24.95 x 24.95 mm

Overall height 18.4 mm

Mounting depth 44.7 mm

Mounting hole 16.2 mm

Key grid 25 x 25 mm

Mechanical design

Mounting ring nut

Contact function latching

Contact arrangement according to contact block

Illumination no

Mechanical characteristics

Robustness max. 100 N

Other specifications

Degree of protection from front side IP65 (DIN EN 60529)

Operation temperature min. -25 °C

Ambient temp. operating max. without lamp / LED +70 °C

Ambient temp. operating max. with lamp /LED +55 °C

Storage temperature min. -40 °C

Storage temperature max. +85 °C

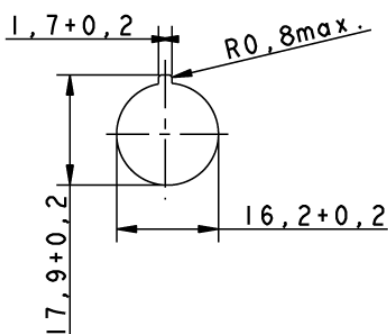
Environmental resistance acc. to IEC 60068-2-14, -30, -33 and -78

Operating life (operations) 300,000

ROHS compliant yes

REACH compliant yes

Panel cut-out



Technical data are approximate and intended solely for general orientation in the selection of a product.
Subject to modifications and errors. Images and other graphics may only be similar.
For more information, refer to www.rafi.de chapter Imprint / Data Protection.

