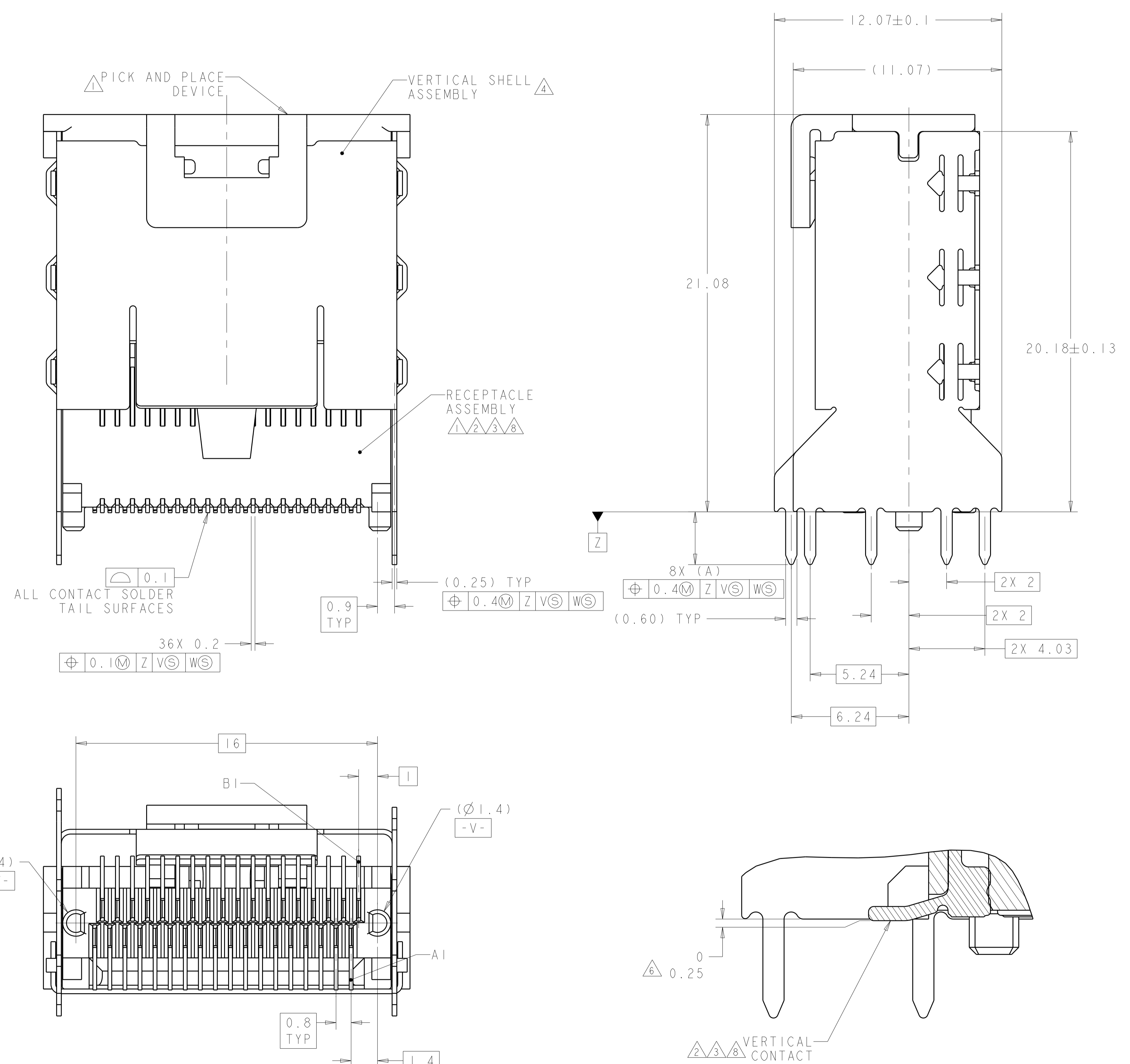
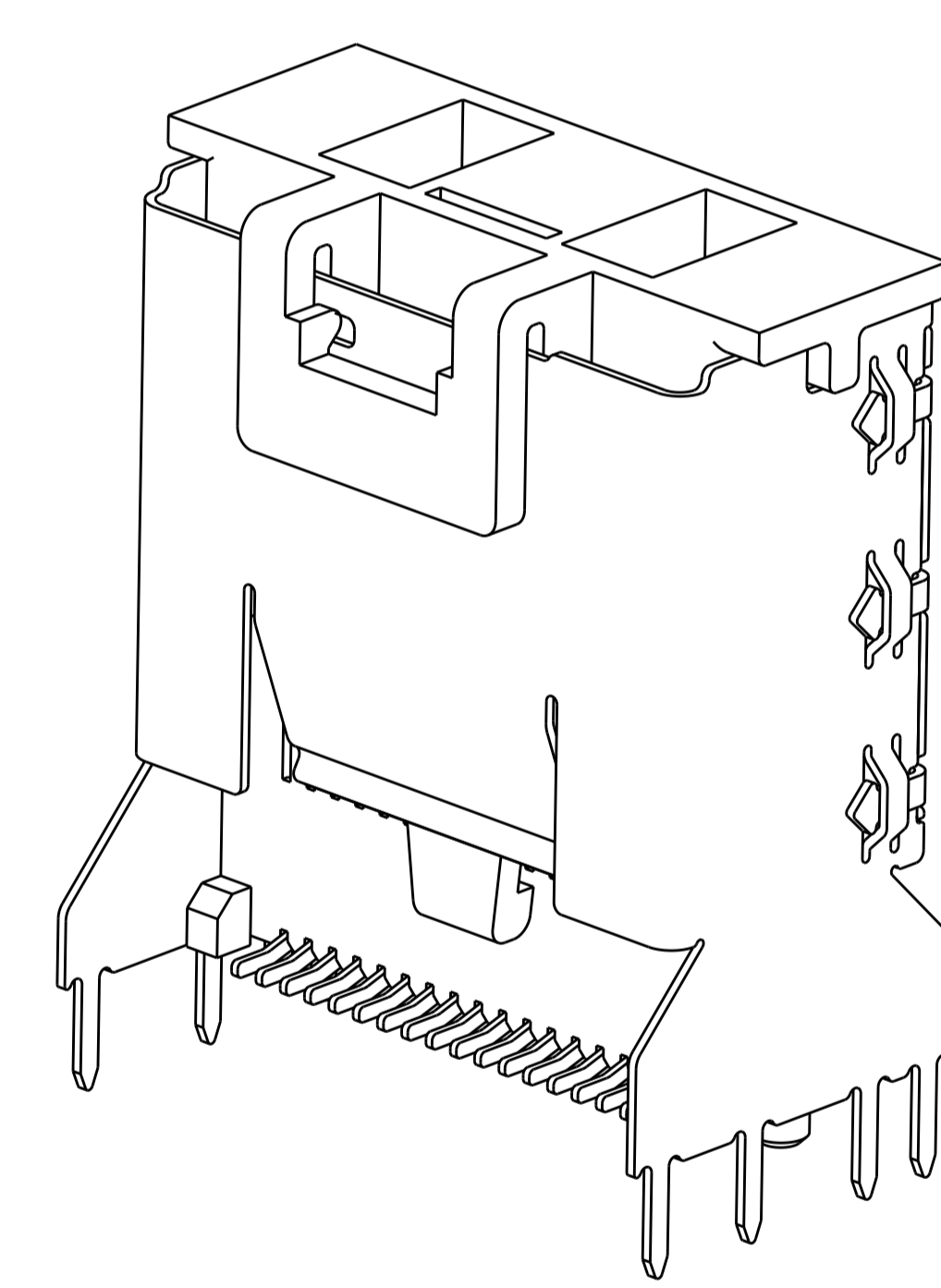


LOC		DIST		REVISIONS			
P	LTN	DESCRIPTION	DATE	DWN	APVD		
A		RELEASED PER ECO-08-011133	13MAY2008	ZMR	DLG		
C		REVISED PER ECO-14-016798	19NOV2014	HW	MC		

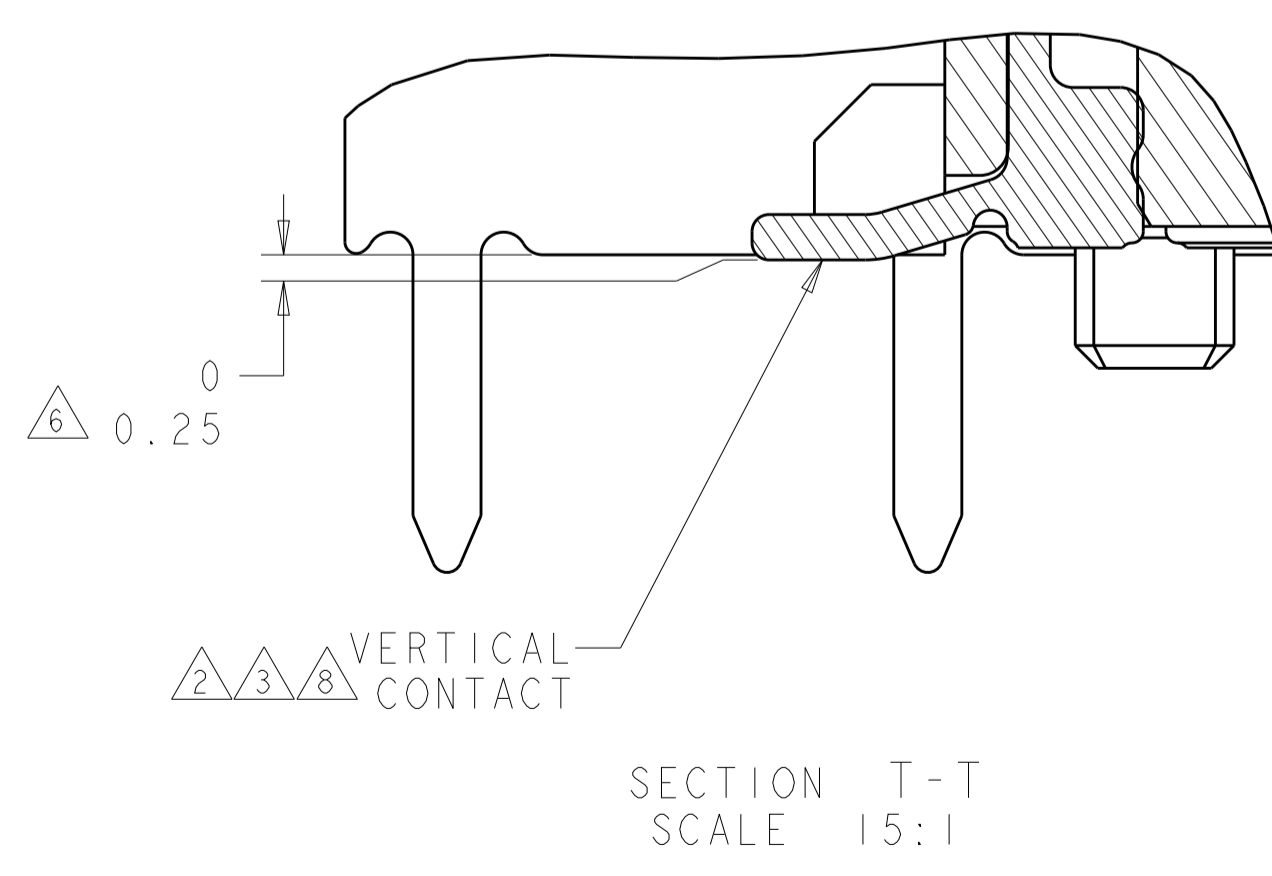


- 1 MATERIAL: LCP, BLACK.
- 2 MATERIAL: PHOSPHOR BRONZE PER ASTM B 103.
- 3 FINISH: 0.76µm MIN GOLD PLATE PER ASTM B 488, APLIES TO INTERFACE AREA AND 2.03µm MIN TIN PLATE SOLDER TAILS, ALL OVER 3.81µm MIN NICKEL PLATE PER QQ-N-290.
- 4 MATERIAL: NICKEL-SILVER PER ASTM B 122.
- 5 DATUM AND BASIC DIMENSION ESTABLISHED BY CUSTOMER.
- 6 CONTACT TAILS TO BE 0.25 MAX BELOW FLUSH WITH DATUM -Z-.
- 7. REFER TO CUSTOMER DRAWING 1888020 FOR CONNECTOR DETAILS.
- 8 FINISH: 0.38µm MIN GOLD PLATE PER ASTM B 488, APLIES TO INTERFACE AREA AND 2.03µm MIN TIN PLATE SOLDER TAILS, ALL OVER 3.81µm MIN NICKEL PLATE PER QQ-N-290.



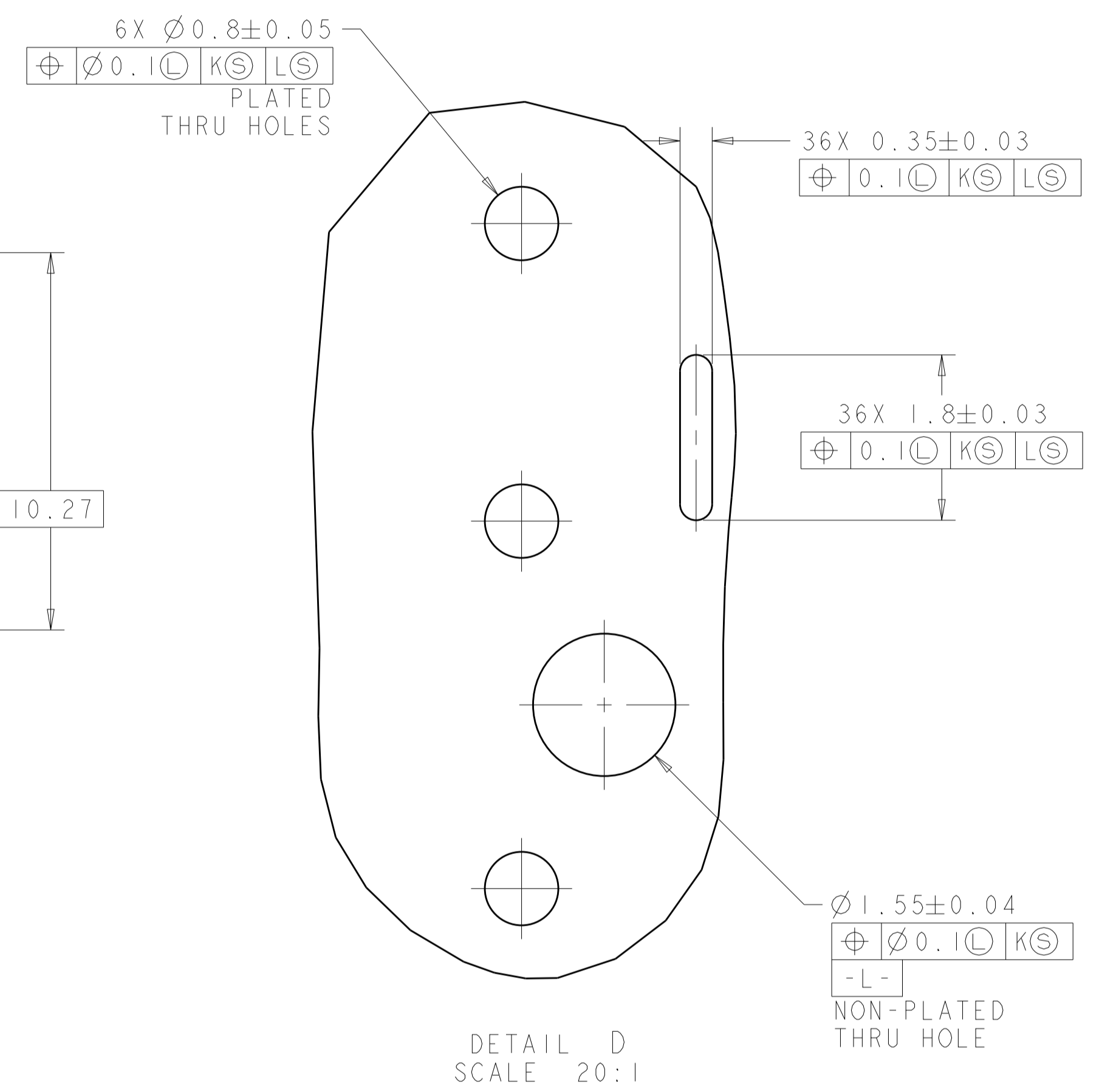
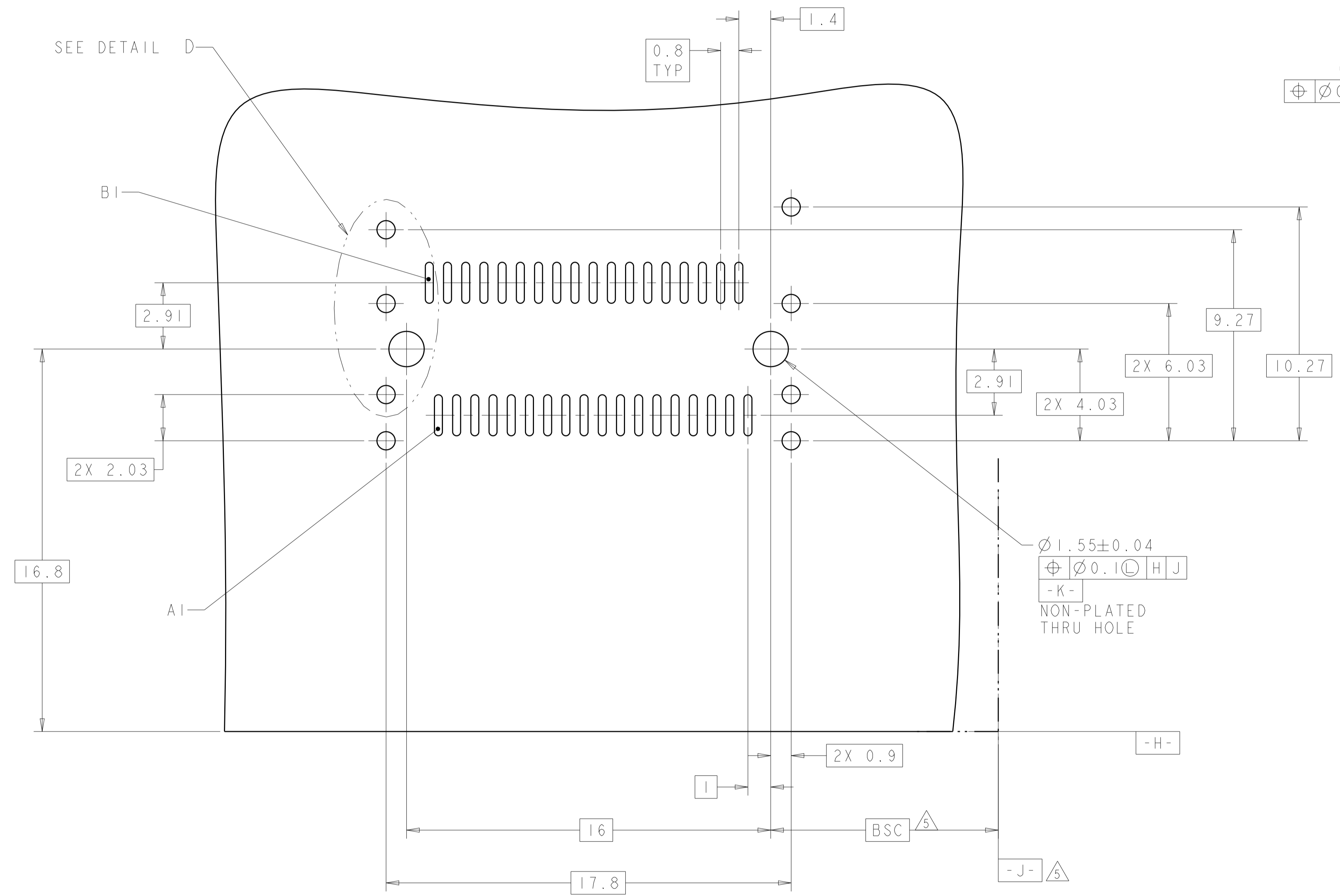
1888863-4
SCALE 6:1

FINISH	DIM A	POSN	PART NUMBER
8	2.00	36	2-1888863-0
	3.50	36	1-1888863-0
3	2.80	36	1888863-9
	3.50	36	1888863-8
	2.80	36	1888863-4



DIMENSIONS:		TOLERANCES UNLESS OTHERWISE SPECIFIED:		DWN B. MCMASTER 25JAN07		Tyco Electronics	
mm	0 PLC ±	1 PLC ±	2 PLC ±	3 PLC ±	4 PLC ±	ANGLES ±	FINISH ±
MATERIAL: TBD				WEIGHT: -	Customer Drawing	SCALE: 8:1	SHEET: 1 OF 2
PRODUCT SPEC: 108-2234		APPLICATION SPEC:		NAME: EVERCLEAR Mini-SAS VERTICAL INTERNAL RECEPTACLE ASSEMBLY WITH UNKEYED SHELL		RESTRICTED TO: -	
CAGE CODE: -		DRAWING NO: -		SIZE: A1		REV: C	

LOC	DIST	REVISIONS					
GP	00	P	LTN	DESCRIPTION	DATE	DMN	APVD
		-		SEE SHEET 1			



RECOMMENDED PCB LAYOUT
SCALE 8:1

<small>THIS DRAWING IS UNPUBLISHED. RELEASED FOR PUBLICATION BY TYCO ELECTRONICS CORPORATION. ALL RIGHTS RESERVED.</small>		DWN B. MCMASTER 25JAN07 CHK D. GORENC 25JAN07 APVD D. GORENC 25JAN07	Tyco Electronics Harrisburg, PA 17105-3608
DIMENSIONS: mm 	TOLERANCES UNLESS OTHERWISE SPECIFIED: 0 PLC ± 1 PLC ± 2 PLC ± 3 PLC ± 4 PLC ± ANGLES ±	NAME PRODUCT SPEC APPLICATION SPEC WEIGHT Customer Drawing	NAME 108-2234 APPLICATION SPEC SCALE 6:1 SHEET 2 OF 2 REV C
MATERIAL SEE NOTES FINISH SEE TABLE	-H- -K- -L- -J-	A100779C=1888863 Customer Drawing	RESTRICTED TO