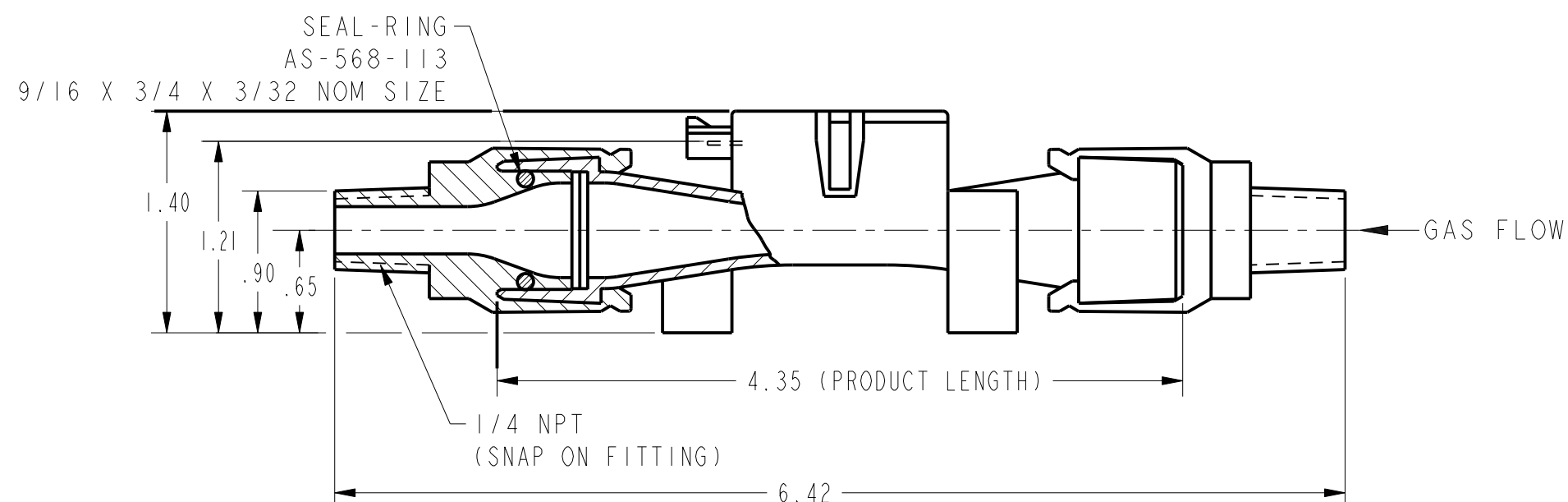
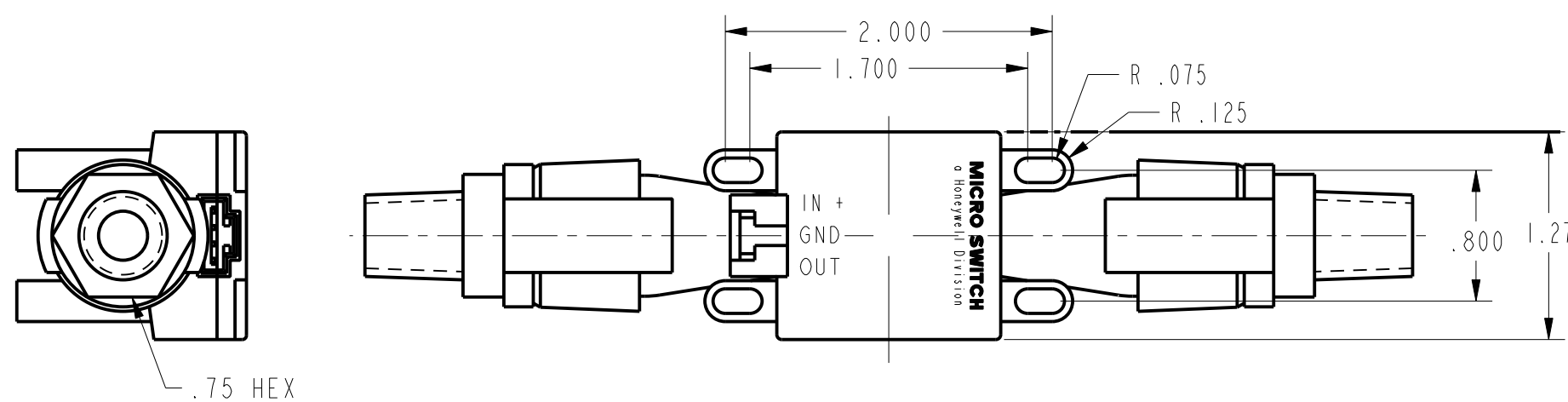




AWM5104VC

SPECIFICATIONS

RECOMMENDED POWER SUPPLY $\Delta 1$	10.00 $\pm$ .01 VDC
MINIMUM POWER SUPPLY	8.0 VDC
MAXIMUM POWER SUPPLY	15 VDC
POWER CONSUMPTION	100mW MAX
OUTPUT TYPE	LINEAR, 1 TO 5 VDC
CALIBRATION GAS	CARBON DIOXIDE
GAS FLOW RANGE *	0-20 SLM *
OUTPUT @ LASER TRIM POINT	5 VDC @ FULL SCALE FLOW
DIFFERENTIAL PRESSURE @ FULL SCALE	SEE PRESSURE VS. AIRFLOW CHART
NULL OUTPUT	1.00 $\pm$ .05 VDC
NULL OUTPUT SHIFT, 0 TO +50°C	$\pm$ .050 VDC TYP, $\pm$ .100 VDC MAX
FULL SCALE OUTPUT SHIFT, 0 TO +25°C/+25 TO 50°C	+10.0% READING MAX
LINEARITY ERROR $\Delta 2$	$\pm$ 3.0% READING
REPEATABILITY & HYSTERESIS	$\pm$ 0.5% F.S.O.
RESPONSE TIME	60.0 mSEC MAX
STORAGE TEMPERATURE RANGE	-20° TO 70°C
OPERATION TEMPERATURE RANGE $\Delta 3$	0° TO 50°C
TERMINATION (.100 CENTERS)	.025 SQUARE
CONNECTOR (4 PIN RECEPTACLE) $\Delta 3$	AMP (103956-3)
WEIGHT	30 GRAMS (2.12OZ)
SHOCK RATING	100 g PEAK, 6 mSEC HALF-SINE (3 DROPS EACH DIRECTION OF 3 AXES)
OVERPRESSURE	50 PSI MAX
LEAK RATE, MAX	0.1 PSI/MIN AT STATIC CONDITION

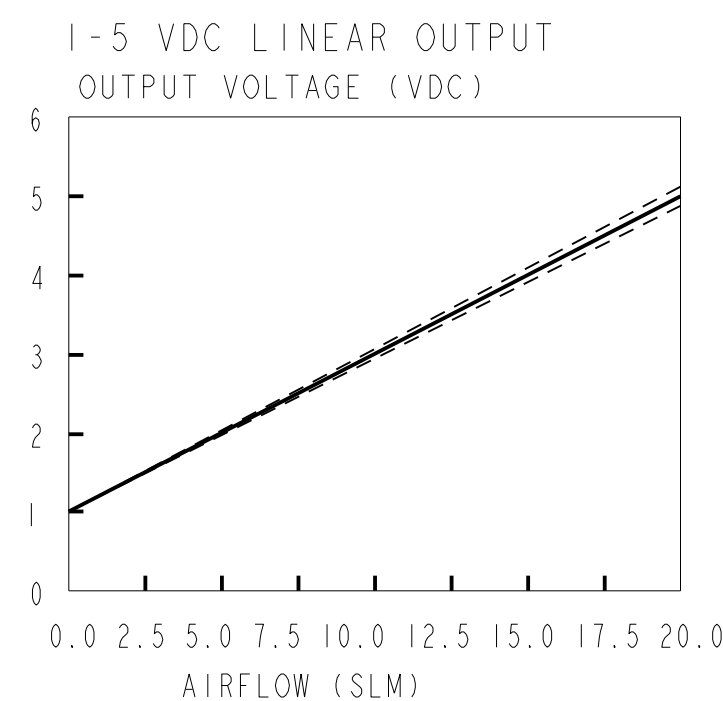
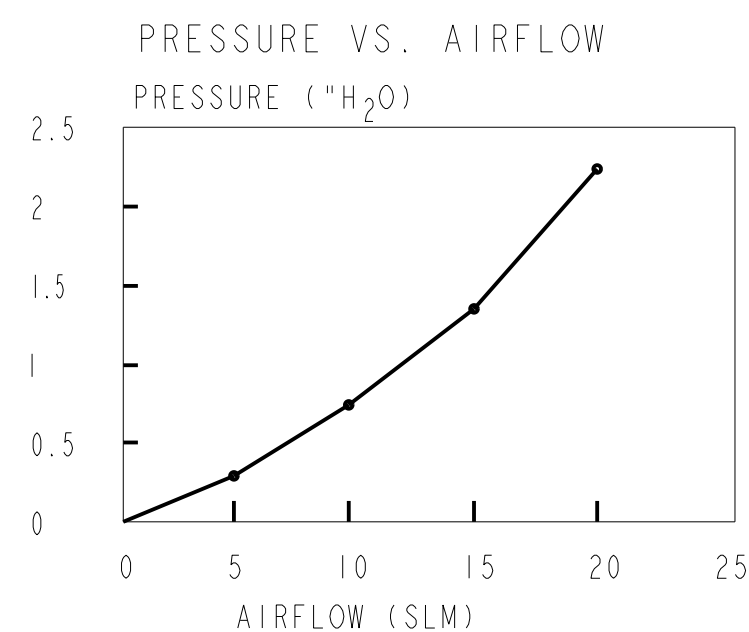
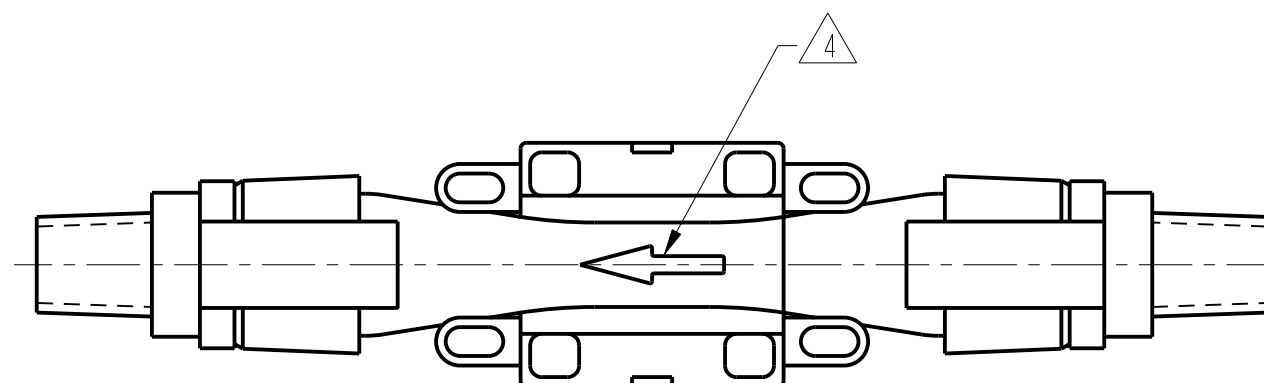


NOTES

- $\Delta 1$  CANNOT GUARANTEE CALIBRATION AT SUPPLY VOLTAGES OTHER THAN 10.00  $\pm$  .01 VDC
- $\Delta 2$  LINEARITY SPECIFICATION APPLIES FROM 2 TO 100% FULL SCALE OF GAS FLOW RANGE, AND DOES NOT APPLY TO NULL OUTPUT AT 0 SLM \*
- $\Delta 3$  SUPPLIED IN STRIP FORM. OTHER STRIP FORM RECEPTACLES ARE AVAILABLE, AS WELL AS VARIOUS TOOLS TO ASSEMBLE RECEPTACLES IN STRIP FORM. INDIVIDUAL RECEPTACLE ASSEMBLIES ARE ALSO AVAILABLE FROM AMP
- $\Delta 4$  MOLDED-IN ARROW DESIGNATES GAS FLOW DIRECTION
- \* SLM DENOTES STANDARD LITERS PER MINUTE WHICH IS A FLOW MEASUREMENT REFERENCED TO STANDARD CONDITIONS OF 0°C, 760 TORR (SEA LEVEL), 50% RH
- $\Delta 5$  TEMPERATURE TRANSITIONS 1.66°C/MINUTE MAXIMUM WHILE IN OPERATION

OUTPUT CONNECTIONS

- PIN 1 + SUPPLY VOLTAGE
- PIN 2 GROUND
- PIN 3 NO CONNECTION
- PIN 4 OUTPUT VOLTAGE



$\pm$  3% READING  
 ——— MEAN  
 - - - - MIN  
 - - - - MAX

THIRD ANGLE PROJECTION	
SCALE	FULL
DO NOT SCALE PRINT	
UNLESS OTHERWISE SPECIFIED TOLERANCES ARE	
ONE PLACE	(.0) $\pm$ .030
TWO PLACES	(.00) $\pm$ .015
THREE PLACES	(.000) $\pm$ .005
ANGLES	$\pm$
WEIGHT	

THIS DRAWING COVERS A PROPRIETARY ITEM AND IS THE PROPERTY OF MICRO SWITCH, A DIVISION OF HONEYWELL. THIS DRAWING IS NOT TO BE COPIED OR USED WITHOUT THE APPROVAL OF MICRO SWITCH.

**MICRO SWITCH**  
a Honeywell Division

**MASS AIRFLOW SENSOR**

**AWM5104VC**

ANSI Y14.5M-1982 APPLIES

FED. MFG. CODE 91929

P.T.C./CAD [20]  
 DRAWN  
 G. J. W. 12 MAR 01  
 CHECK  
 SAV  
 12 MAR 01  
 CHECK  
 CMH  
 16 JAN 08  
 REVISIONS  
 A 202464  
 MAR 01  
 B 0027347  
 22 DEC 06  
 C 0036560  
 16 JAN 08  
 DRAWING NUMBER  
 6  
 ISSUE  
 1  
 AWM5104VC  
 RELEASE NO. PR-20105  
 REPLACES X94973-AW