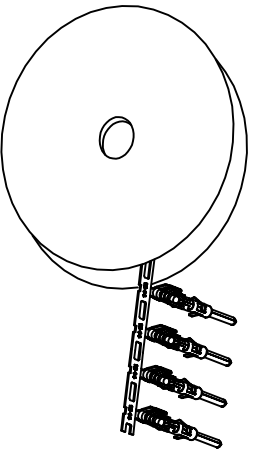


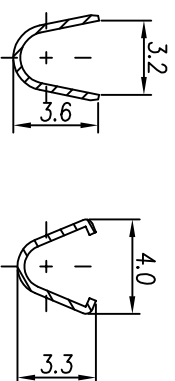
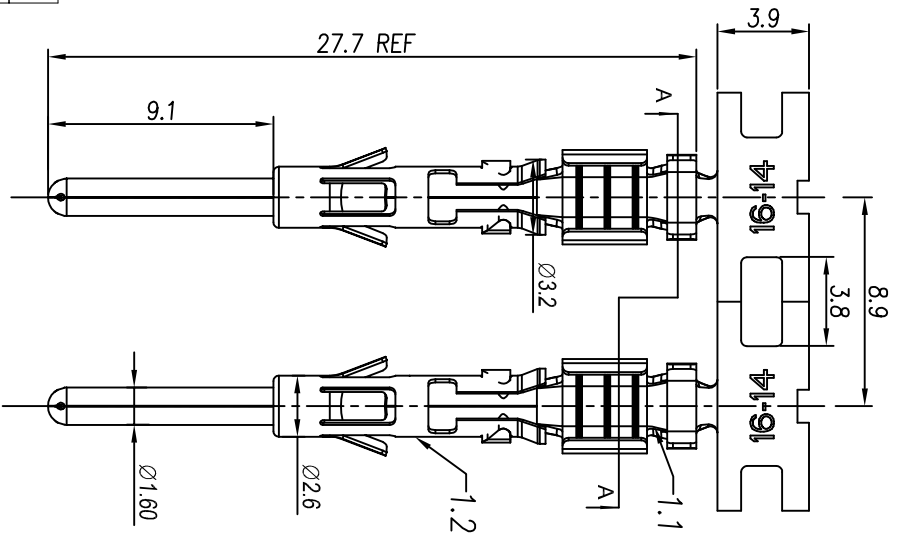
REVISIONS				
REV	ECO	DESCRIPTION	DATE	BY APPR
A1	-	RELEASED DRAWING	Jul-16-18	Flan Tommy



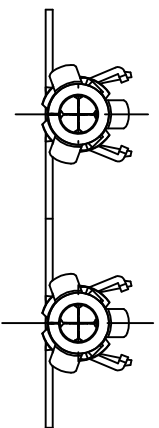
CONTACT ORIENTATION ON ROLL(3000PCS/COIL)

NOTES : (UNLESS OTHERWISE SPECIFIED)

- MATERIAL :
 - CONTACT BODY : COPPER ALLOY.
 - OUTER SPRING : STAINLESS STEEL.
- SPECIFICATIONS :
 - CURRENT RATING : 13A MAX.
 - TERMINATION TYPE : CRIMPING.
 - WIRE RANGE : 14~16AWG.
 - WIRE INSULATION DIA(MAX) : ϕ 3.2mm.
- RoHS COMPLIANT.
- ALL DIMENSIONS ARE FOR REFERENCE USE ONLY.
- AVAILABLE TOOLS :
 - HAND CRIMPER : MFX-3954.
 - CRIMP APPLICATOR : MFX-3957.
 - EXTRACTION TOOL : QXRT16.



P/N	CONTACT PLATING(MATING AREA)
SP14M2T	TIN PLATING OVER NICKEL.
SP14M2N	NICKEL PLATING OVER COPPERIZE.
SP14M2F	GOLD FLASH PLATING OVER NICKEL.
SP14M2G5	5 μ "GOLD PLATING OVER NICKEL.
SP14M2G10	10 μ "GOLD PLATING OVER NICKEL.
SP14M2G15	15 μ "GOLD PLATING OVER NICKEL.
SP14M2G30	30 μ "GOLD PLATING OVER NICKEL.



QUANTITY	PART NUMBER	DESCRIPTION	ITEM
MATERIALS LIST			
UNLESS OTHERWISE SPECIFIED 1) All dimensions are in millimeters. 2) Tolerances are as follows: 1 PL, DEC 20, 30 Fractions, 1/16" 3 PL, DEC 20, 30 Fractions, 1/16" 3) Note reference =			
PROCESS SPECIFICATIONS: MATERIAL SPECIFICATIONS: CUSTOMER: Tommy APPROVAL: Jul-16-18		TEST SPECIMENS SPECIFICATIONS: SPECIFICATIONS AND PERFORMANCE DATA: THE MANUFACTURING CORPORATION HAS NO RESPONSIBILITY FOR REPRODUCTION AND LIAISON. ALL MANUFACTURING VARIATIONS.	
ECO-MATE PIN CONTACT. STAMPED, 16-14AWG, SIZE 16		SIZE: B TYPE: C- DWG NO: SP14M2XX REVISION: A1	
SCALE: NONE		SHEET: 1 OF 1	

Amphenol

Sine Systems - www.amphenol-sine.com
 44724 Morley Drive
 Clinton Township, MI 48036