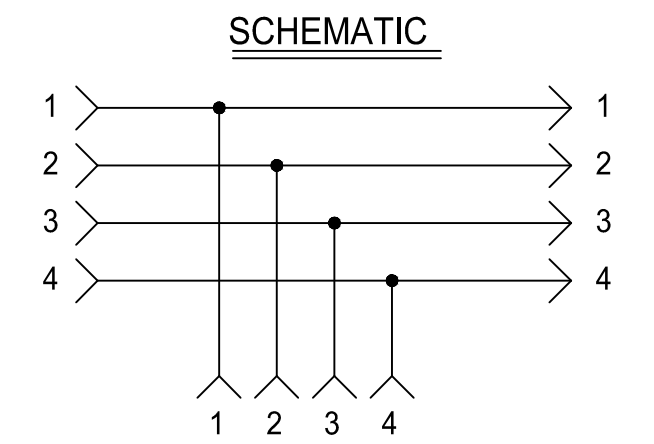
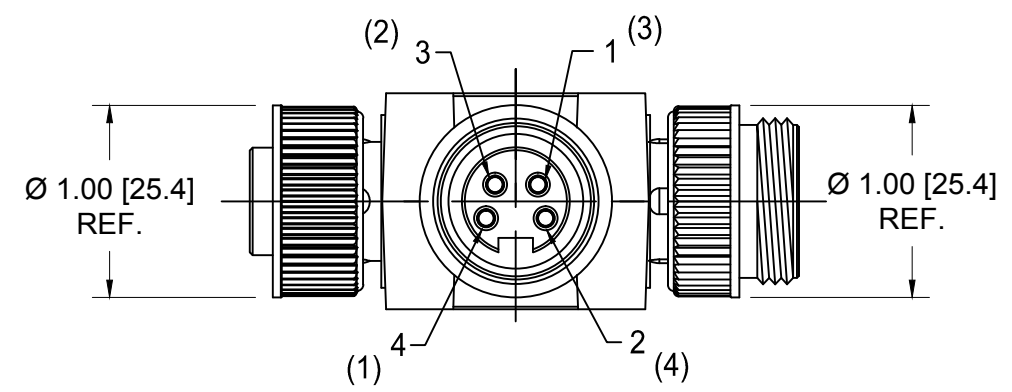
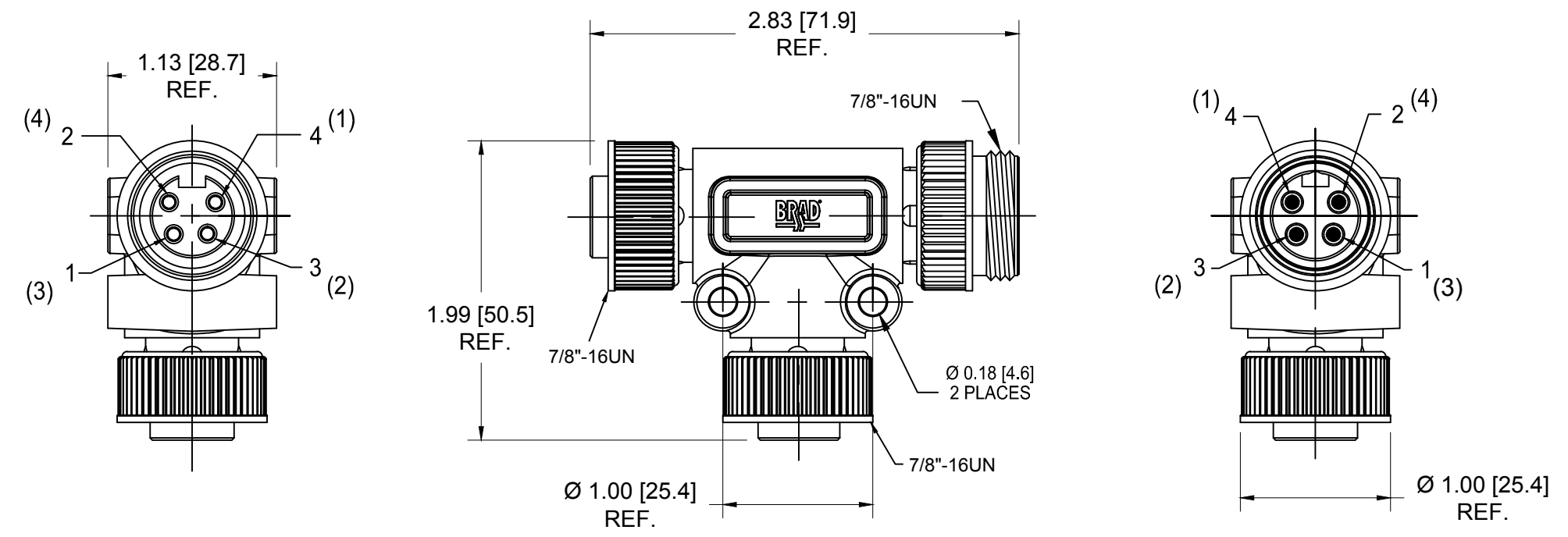


MOLEX SAP P/N	ENGINEERING P/N	COLOR
1300350085	DNETAUXPT	YELLOW
1300350115	DNETAUXPTG	BLACK

\* CENELEC EN 50 044 PINOUT SHOWN (SAE-J-1738A SHOWN IN PARENTHESIS)

(B)



**SPECIFICATIONS:**

COUPLING NUT MATERIAL: ZINC DIECAST WITH BLACK ELECTROPHORETIC COATING  
 CONTACT MATERIAL: GOLD/NICKEL OVER COPPER ALLOY  
 INSERT MATERIAL: TPE, COLOR: SEE CHART  
 OVERMOLD MATERIAL: TPE, COLOR: SEE CHART  
 ASSEMBLY RATING: 600V, 10A  
 ENVIRONMENTAL: -20°C TO 80°C  
 IP67 WHEN MATED  
 AGENCY APPROVALS: UL LISTED

ADD P/N 1300350115 - BLACK EC NO: IPG2016-1763 DRWN: RSTONE 6/28/16 CHKD: M ZIELIN 2016/06/30 APPR: BWOODMAN 2012/07/05	DESCRIPTION REV	QUALITY SYMBOLS	GENERAL TOLERANCES (UNLESS SPECIFIED) <table border="1"> <thead> <tr> <th></th> <th>mm</th> <th>INCH</th> </tr> </thead> <tbody> <tr> <td>4 PLACES</td> <td>±---</td> <td>±---</td> </tr> <tr> <td>3 PLACES</td> <td>±---</td> <td>±.005</td> </tr> <tr> <td>2 PLACES</td> <td>±0.13</td> <td>±.010</td> </tr> <tr> <td>1 PLACE</td> <td>±0.25</td> <td>±.020</td> </tr> <tr> <td colspan="3">ANGULAR ±.5°</td> </tr> </tbody> </table>		mm	INCH	4 PLACES	±---	±---	3 PLACES	±---	±.005	2 PLACES	±0.13	±.010	1 PLACE	±0.25	±.020	ANGULAR ±.5°			DIMENSION STYLE <b>INCH/MM</b> DRAWN BY DATE VOU 2012/06/26 CHECKED BY DATE KJOZWIK 2012/06/31 APPROVED BY DATE JFMURPHY 2012/07/05 MATERIAL NO.	SCALE 1:1	DESIGN UNITS INCH	THIRD ANGLE PROJECTION
				mm	INCH																				
		4 PLACES		±---	±---																				
		3 PLACES		±---	±.005																				
		2 PLACES		±0.13	±.010																				
1 PLACE	±0.25	±.020																							
ANGULAR ±.5°																									
▽=0 ∇=0	TITLE <b>MINI-CHANGE 4-POLE TEE</b>																								
DRAFT WHERE APPLICABLE MUST REMAIN WITHIN DIMENSIONS	<b>MOLEX INCORPORATED</b> DOCUMENT NO. <b>SD-130035-014</b>																								
SIZE <b>B</b>	SHEET NO. <b>1 OF 1</b>																								
THIS DRAWING CONTAINS INFORMATION THAT IS PROPRIETARY TO MOLEX INCORPORATED AND SHOULD NOT BE USED WITHOUT WRITTEN PERMISSION																									