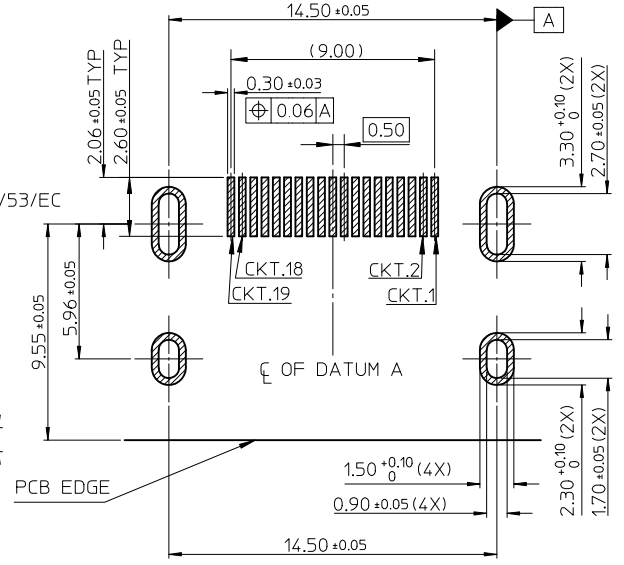
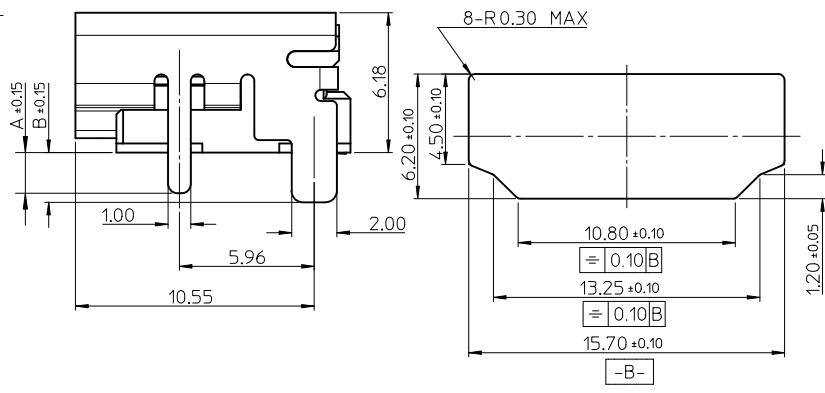
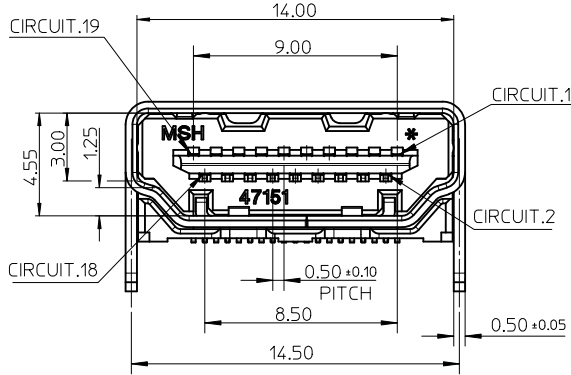
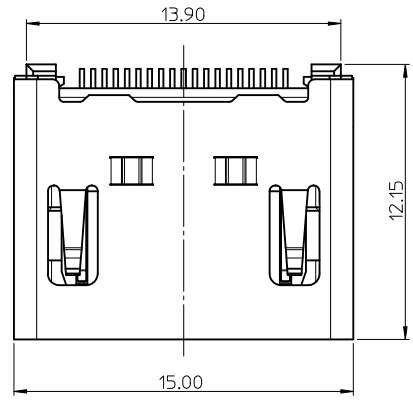
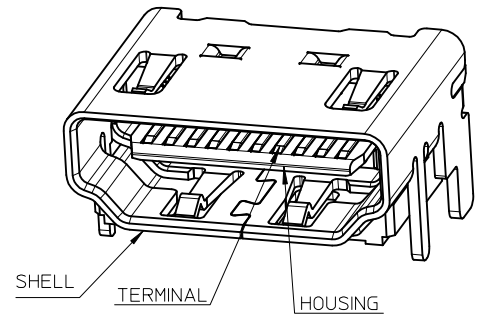


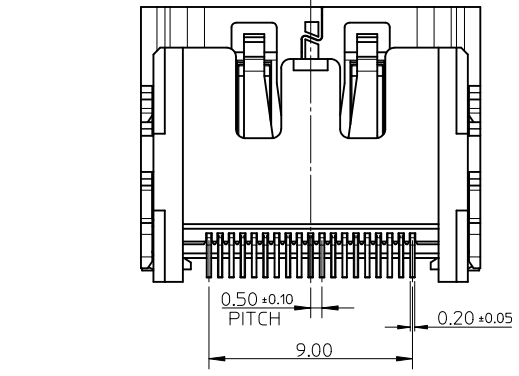
NOTES:

1. MATERIAL:
HOUSING: THERMOPLASTIC . COLOR: SEE TABLE.
SHELL: COPPER ALLOY.
TERMINAL: COPPER ALLOY.
2. PLATING:
TERMINAL:
CONTACT AREA: (1) 0.76 MICROMETER MIN. GOLD PLATING.
(2) 0.25 MICROMETER MIN. GOLD PLATING.
(3) GOLD FLASH.
(4) 0.375 MICROMETER MIN. GOLD PLATING.
SOLDER AREA: 1 MICROMETER MIN. TIN-BISMUTH ALLOY PLATED.
UNDER PLATE: 1.27 MICROMETER MIN. NICKEL.
SHELL: (a) 1.27 MICROMETER MIN. SOLDERABLE NICKEL PLATE OVERALL.
(b) GOLD FLASH PLATING OVER 1.27 MICROMETER MIN. NICKEL PLATING OVERALL.
3. COPLANARITY IS 0.1MM MAX.
4. PRODUCT SPECIFICATION REFER TO PS-47152-001.
5. PACKAGE SPECIFICATION FOR WITHOUT FLANGE REFER TO PK-47151-001.
6. PRODUCT COMPLIANT TO RoHS DEIRECTIVE 2002/95/EC AND ELV DIRECTIVE 2000/53/EC



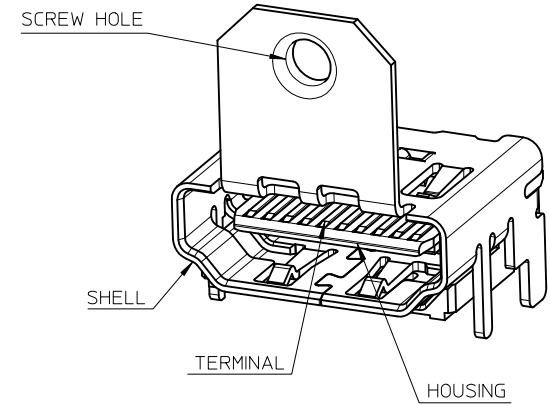
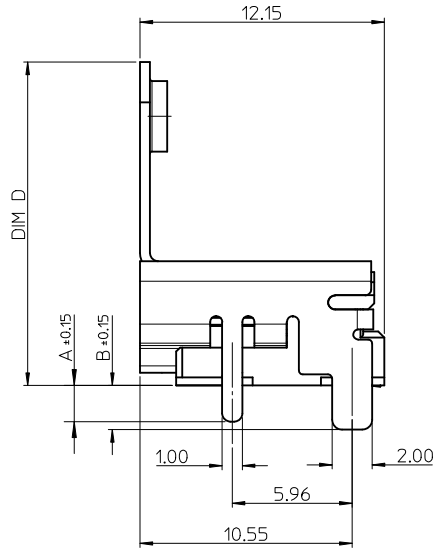
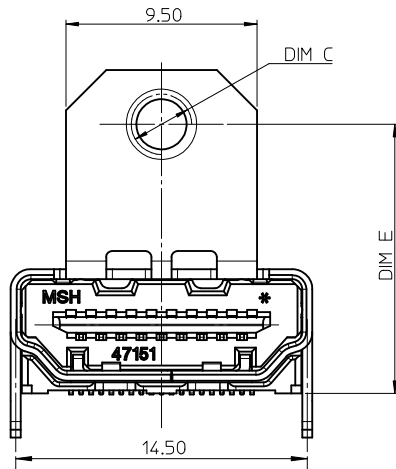
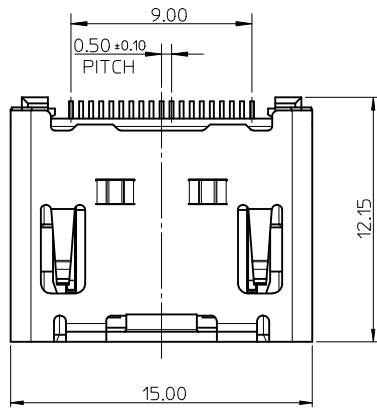
RECOMMENDED PCB LAYOUT
CONNECTOR SIDE

RECOMMENDED PANEL CUT OUT DIMENSION



| | | | | | | | | | |
|----------------------------------------------------------------------------------------------------------------------------|---------------------------------------------|-----------------------------------------------------------------------------------------------|---------|-----------------------------------|--------------------|-----------------------------------------------------------------------|------------------------------|------------------------|--|
| ADD PART NUMBER EC NO: SH2010-0164 DRWN:XOZHANG 2009/10/20 CHKD:GLLI 2009/10/21 APPR:XJISONG 2009/11/30 | QUALITY SYMBOLS F/0 F/0 F/0 | GENERAL TOLERANCES (UNLESS SPECIFIED) | | DIMENSION STYLE MM ONLY | | SCALE 5:1 | DESIGN UNITS METRIC | THIRD ANGLE PROJECTION | |
| | | 4 PLACES ± --- ± --- 3 PLACES ± --- ± --- 2 PLACES ± 0.25 ± --- 1 PLACE ± 0.25 ± --- | mm INCH | DRAWN BY RZHANG | DATE 2004/07/20 | TITLE 1.0 HDMI RIGHT ANGLE HEADER ASSEMBLY(19 PIN) LEAD FREE | | | |
| | | ANGULAR ± 3 ° | | CHECKED BY GRMA | DATE 2004/07/20 | MOLEX INCORPORATED | | | |
| | | DRAFT WHERE APPLICABLE MUST REMAIN WITHIN DIMENSIONS | | APPROVED BY YTYAP | DATE 2004/07/20 | MATERIAL NO. SEE SHEET 6 | DOCUMENT NO. SD-47151-001 | SHEET NO. 1 OF 8 | |

10 9 8 7 6 5 4 3 2 1

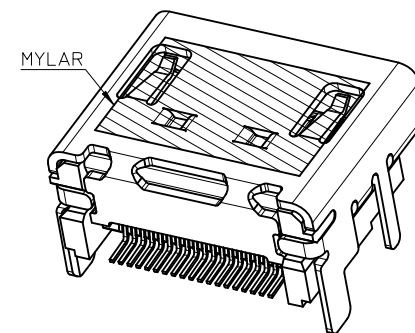
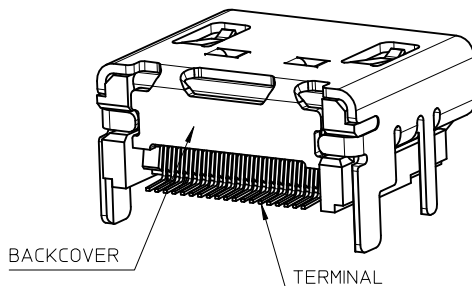
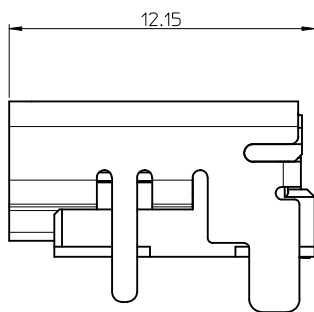
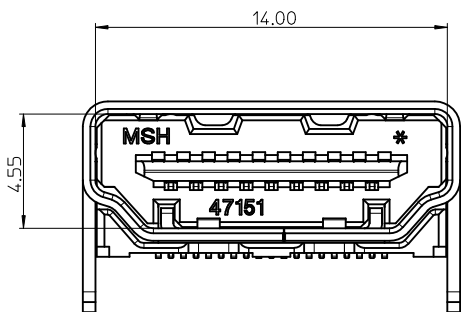
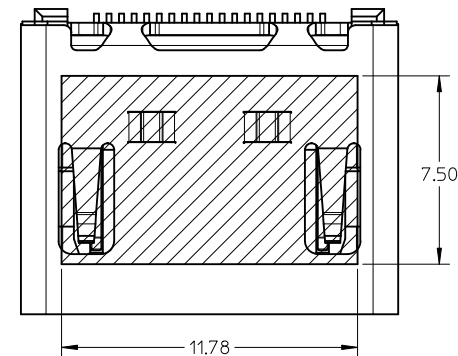
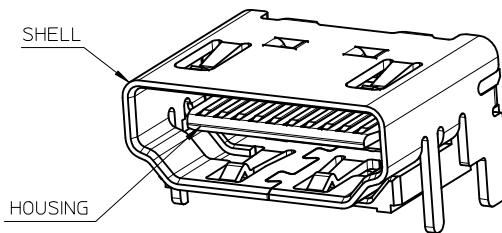
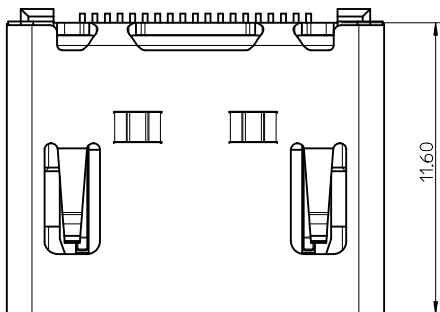


- NOTES:
1. THE UNSPECIFIED DIMENSIONS REFER TO SHEET 1.
 2. PACKAGE SPECIFICATION FOR WITH FLANGE REFER TO PK-47151-002.

| | | | | | | | | | | |
|-----------------------------------------------------------------------------------|----------------------------------------|-----------------------------------------------------------------------|---------------------------------------|-----------------------------------------------------------------------------------------------|----------------------------|----------------------|--------------------|-----------------------------------------------------------------|------------------------------|---------------------|
| SEE SHEET 1 EC NO: SH2010-0164 DRWN: XQZHANG CHKD: GLLI APPR: XJ SONG | 2009/10/20 2009/10/21 2009/11/30 | QUALITY SYMBOLS $\nabla_A = 0$ $\nabla_C = 0$ $\nabla_P = 0$ | GENERAL TOLERANCES (UNLESS SPECIFIED) | | DIMENSION STYLE MM ONLY | | SCALE 5:1 | DESIGN UNITS METRIC | THIRD ANGLE PROJECTION | |
| | | | | 4 PLACES ± --- ± --- 3 PLACES ± --- ± --- 2 PLACES ± 0.25 ± --- 1 PLACE ± 0.25 ± --- | mm INCH | DRAWN BY RZHANG | DATE 2004/07/20 | TITLE 1.0 HDMI RIGHT ANGLE HEADER ASSEMBLY(19 PIN) LEAD FREE | | |
| | | | | ANGULAR ± 3 ° | | CHECKED BY GRMA | DATE 2004/07/20 | MOLEX INCORPORATED | | |
| | | | | DRAFT WHERE APPLICABLE MUST REMAIN WITHIN DIMENSIONS | | APPROVED BY YTYAP | DATE 2004/07/20 | MATERIAL NO. SEE SHEET 6 | DOCUMENT NO. SD-47151-001 | SHEET NO. 2 OF 8 |

9 8 7 6 5 4 3 2 1

WITH BACK COVER



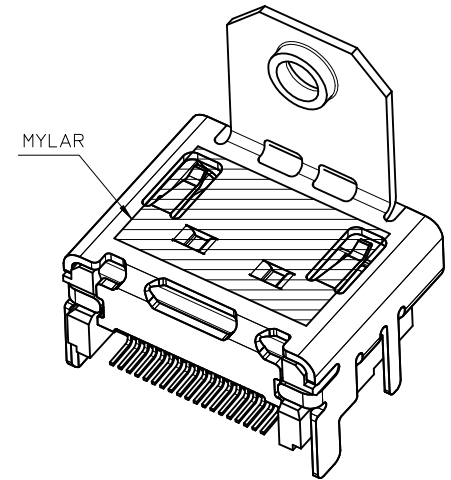
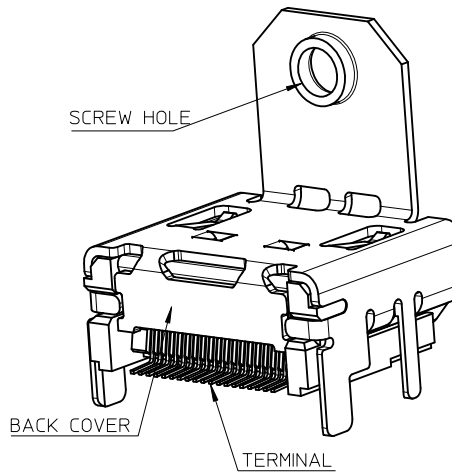
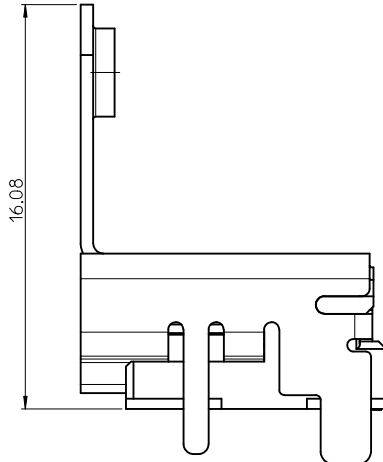
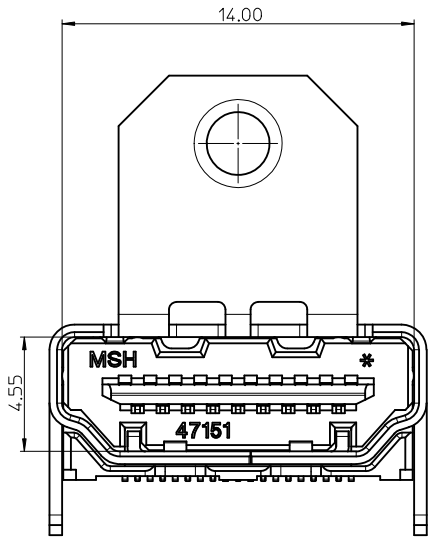
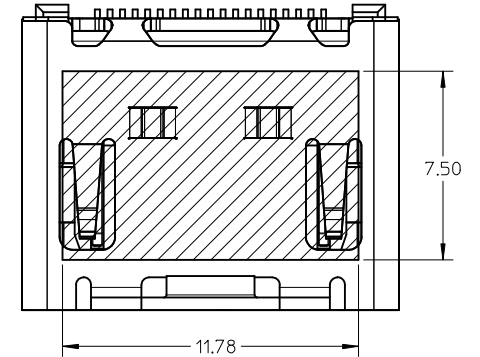
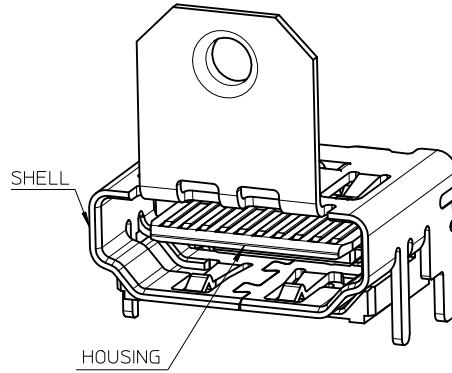
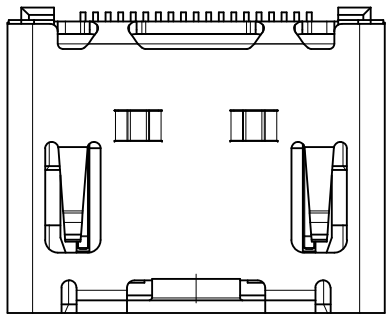
NOTES:

1. THE UNSPECIFIED DIMENSIONS REFER TO 47151-0001.
2. PACKAGE SPECIFICATION FOR WITHOUT FLANGE REFER TO PK-47151-001.

THIS IS ONLY FOR 47151-1061/1071/1081

| | | | | | | | | | |
|----------------------------------------------------------------------------------|----------------------------------------|--------------------|-------------------------------------------------------------------------------------------------------------------------------|---------------------------------------|-------------------|-------|--------------------|------------------------|-----------|
| SEE SHEET 1 EC NO: SH2010-0164 DRWN: XQZHANG CHKD: GLLI APPR: XJSONG | 2009/10/20 2009/10/21 2009/11/30 | DESCRIPTION REV | QUALITY SYMBOLS | GENERAL TOLERANCES (UNLESS SPECIFIED) | DIMENSION STYLE | SCALE | DESIGN UNITS | THIRD ANGLE PROJECTION | |
| | | | $\nabla_{\text{A}}=0$ | mm INCH | MM ONLY | 5:1 | METRIC | | |
| | | | $\nabla_{\text{E}}=0$ | 4 PLACES ± --- ± --- | DRAWN BY DATE | TITLE | MOLEX INCORPORATED | DOCUMENT NO. | SHEET NO. |
| | | | $\nabla_{\text{F}}=0$ | 3 PLACES ± --- ± --- | RZHANG 2004/07/20 | | | | |
| | 2 PLACES ± 0.25 ± --- | CHECKED BY DATE | THIS DRAWING CONTAINS INFORMATION THAT IS PROPRIETARY TO MOLEX INCORPORATED AND SHOULD NOT BE USED WITHOUT WRITTEN PERMISSION | | | | | | |
| | 1 PLACE ± 0.25 ± --- | GRMA 2004/07/20 | | | | | | | |
| | ANGULAR ± 3 ° | APPROVED BY DATE | | | | | | | |
| | | YTYAP 2004/07/20 | | | | | | | |
| | | MATERIAL NO. | | | | | | | |
| | | SEE SHEET 7 | | | | | | | |

WITH BACK COVER

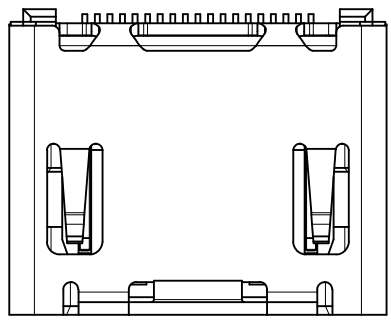


THIS IS ONLY FOR
47151-1025/1075/1085/6022/6032/1026/2062

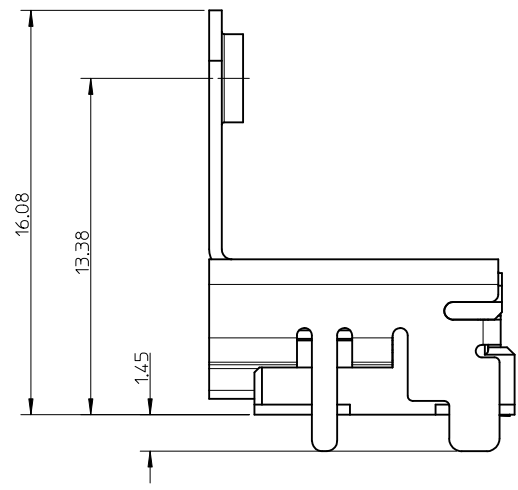
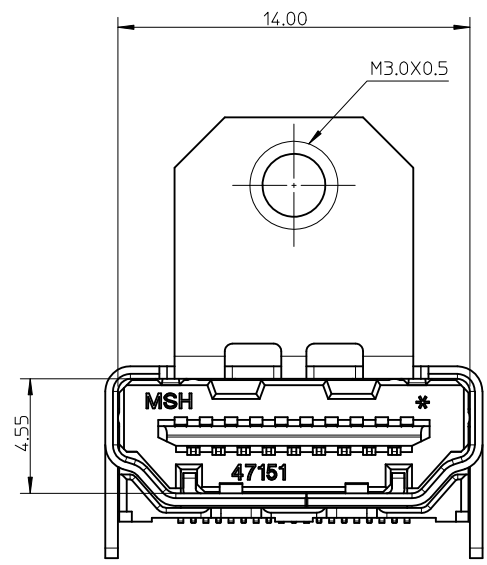
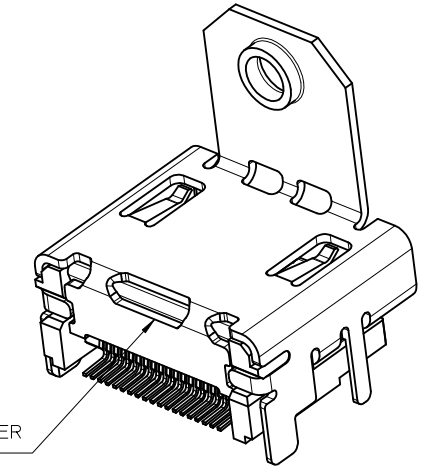
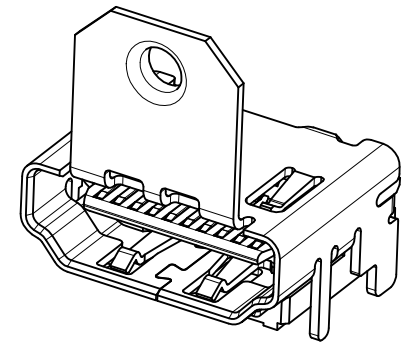
NOTES:

1. THE UNSPECIFIED DIMENSIONS REFER TO 47151-0002.
2. PACKAGE SPECIFICATION FOR WITH FLANGE:
 OPTION 1: 47151-1026/2062/6032 REFER TO PK-47151-005.
 OPTION 2: 47151-1102 REFER TO PK-47151-003.
 OPTION 3: OTHER PART NUMBER REFER TO PK-47151-002.

| | | | | | | | | | |
|--------------------------------------------------------------------------------|----------------------------------------|--------------------|----------------------------------------------------|---------------------------------------------------------------------------------------------------------------------------|----------------------------------------------------------------------------|----------------------------------------------------------|-----------------------------------------------------------------|------------------------|--|
| SEE SHEET 1 EC NO: SH2010-0164 DRW: XQZHANG CHK: GLLI APPR: XJSONG | 2009/10/20 2009/10/21 2009/11/30 | DESCRIPTION REV | QUALITY SYMBOLS | GENERAL TOLERANCES (UNLESS SPECIFIED) | DIMENSION STYLE | SCALE | DESIGN UNITS | THIRD ANGLE PROJECTION | |
| | | | $\nabla_A = 0$ $\nabla_C = 0$ $\nabla_B = 0$ | mm INCH 4 PLACES ± --- ± --- 3 PLACES ± --- ± --- 2 PLACES ± 0.25 ± --- 1 PLACE ± 0.25 ± --- ANGULAR ± 3 ° | MM ONLY | 5:1 | METRIC | | |
| | | | | DRAFT WHERE APPLICABLE MUST REMAIN WITHIN DIMENSIONS | DRAWN BY: RZHANG CHECKED BY: GRMA APPROVED BY: YTYAP MATERIAL NO. | DATE: 2004/07/20 DATE: 2004/07/20 DATE: 2004/07/20 | TITLE 1.0 HDMI RIGHT ANGLE HEADER ASSEMBLY(19 PIN) LEAD FREE | | |
| | | | | SEE SHEET 8 | MOLEX INCORPORATED DOCUMENT NO. SD-47151-001 | | SHEET NO. 4 OF 8 | | |



WITHOUT TOP HOLE



- NOTES:
1. THE UNSPECIFIED DIMENSIONS REFER TO 47151-1102.
 2. PACKAGE SPECIFICATION FOR WITH FLANGE REFER TO PK-47151-002.

| | |
|--------------------|-------------|
| SEE SHEET 1 | DESCRIPTION |
| EC NO: SH2010-0164 | 2009/10/20 |
| DRWN:XOZHANG | 2009/10/21 |
| CHKD:GLL | 2009/11/30 |
| APPR:XJ.SONG | |
| REV | |

| |
|-----------------|
| QUALITY SYMBOLS |
| $\nabla_F = 0$ |
| $\nabla_E = 0$ |
| $\nabla_B = 0$ |

| | | |
|------------------------------------------------------|--------|-------|
| GENERAL TOLERANCES (UNLESS SPECIFIED) | mm | INCH |
| 4 PLACES | ± --- | ± --- |
| 3 PLACES | ± --- | ± --- |
| 2 PLACES | ± 0.25 | ± --- |
| 1 PLACE | ± 0.25 | ± --- |
| ANGULAR ± 3 ° | | |
| DRAFT WHERE APPLICABLE MUST REMAIN WITHIN DIMENSIONS | | |

| | | | | |
|-----------------|------------|-------------------------------------------------------------------------------------------------------------------------------|--------------|------------------------|
| DIMENSION STYLE | | SCALE | DESIGN UNITS | THIRD ANGLE PROJECTION |
| MM ONLY | | 5:1 | METRIC | |
| DRAWN BY | DATE | TITLE | | |
| RZHANG | 2004/07/20 | 1.0 HDMI RIGHT ANGLE HEADER ASSEMBLY(19 PIN) LEAD FREE | | |
| CHECKED BY | DATE | MOLEX INCORPORATED | | |
| GRMA | 2004/07/20 | SD-47151-001 | | |
| APPROVED BY | DATE | SHEET NO. | | |
| YTYAP | 2004/07/20 | 5 OF 8 | | |
| MATERIAL NO. | | THIS DRAWING CONTAINS INFORMATION THAT IS PROPRIETARY TO MOLEX INCORPORATED AND SHOULD NOT BE USED WITHOUT WRITTEN PERMISSION | | |
| SEE SHEET 7 | | | | |

| | | | | |
|--------------|--|--------------|--|-----------|
| MATERIAL NO. | | DOCUMENT NO. | | SHEET NO. |
| SEE SHEET 7 | | SD-47151-001 | | 5 OF 8 |

| ASSEMBLY P/N | DIMENSION | | | | | FEATURE | | | | HOUSING COLOUR | GOLD PLATING IN CONTACT AREA | SHELL PLATING | REMARK |
|--------------|-----------|-------|----------|-------|-------|---------|------------|-----------|-------|----------------|------------------------------|----------------|-------------|
| | DIM A | DIM B | DIM C | DIM D | DIM E | FLANGE | BACK COVER | TOP HOLES | MYLAR | | | | |
| 47151-0001 | 1.80 | 2.20 | / | / | / | W/O | W/O | WITH | W/O | BLACK | SEE NOTE 2 (1) | SEE NOTE 2 (a) | FOR SHEET 1 |
| 47151-0041 | | | | | | | | | | | | | |
| 47151-0051 | | | | | | | | | | | | | |
| 47151-0011 | | | | | | | | | | | | | |
| 47151-0071 | | | | | | | | | | | | | |
| 47151-0061 | | | | | | | | | | | | | |
| 47151-0021 | | | | | | | | | | | | | |
| 47151-0031 | | | | | | | | | | | | | |
| 47151-0101 | 1.45 | 1.45 | / | / | / | W/O | W/O | WITH | W/O | BLACK | SEE NOTE 2 (1) | SEE NOTE 2 (a) | FOR SHEET 1 |
| 47151-0141 | | | | | | | | | | | | | |
| 47151-0151 | | | | | | | | | | | | | |
| 47151-0111 | | | | | | | | | | | | | |
| 47151-0181 | | | | | | | | | | | | | |
| 47151-0161 | | | | | | | | | | | | | |
| 47151-0121 | | | | | | | | | | | | | |
| 47151-0131 | | | | | | | | | | | | | |
| 47151-0002 | 1.80 | 2.20 | M3.0x0.5 | 16.08 | 13.38 | WITH | W/O | WITH | W/O | BLACK | SEE NOTE 2 (1) | SEE NOTE 2 (a) | FOR SHEET 2 |
| 47151-0042 | | | | | | | | | | | | | |
| 47151-0062 | | | | | | | | | | | | | |
| 47151-0012 | | | | | | | | | | | | | |
| 47151-0052 | | | | | | | | | | | | | |
| 47151-0072 | | | | | | | | | | | | | |
| 47151-0022 | | | | | | | | | | | | | |
| 47151-0032 | | | | | | | | | | | | | |
| 47151-0102 | 1.45 | 1.45 | M3.0x0.5 | 16.08 | 13.38 | WITH | W/O | WITH | W/O | BLACK | SEE NOTE 2 (1) | SEE NOTE 2 (a) | FOR SHEET 2 |
| 47151-0142 | | | | | | | | | | | | | |
| 47151-0162 | | | | | | | | | | | | | |
| 47151-0112 | | | | | | | | | | | | | |
| 47151-0152 | | | | | | | | | | | | | |
| 47151-0172 | | | | | | | | | | | | | |
| 47151-0122 | | | | | | | | | | | | | |
| 47151-0132 | | | | | | | | | | | | | |
| 47151-6002 | 1.80 | 2.20 | M3.0x0.5 | 14.25 | 11.28 | WITH | W/O | WITH | W/O | BLACK | SEE NOTE 2 (1) | SEE NOTE 2 (a) | |
| 47151-6062 | | | | | | | | | | | | | |
| 47151-6082 | | | | | | | | | | | | | |
| 47151-6102 | 1.45 | 1.45 | M3.0x0.5 | 14.25 | 11.28 | WITH | W/O | WITH | W/O | BLACK | SEE NOTE 2 (1) | SEE NOTE 2 (a) | |
| 47151-6172 | | | | | | | | | | | | | |
| 47151-6162 | | | | | | | | | | | | | |

| | | | | | | | | | |
|----------------------------------------------------------------------------------------------------------------------------------|--------------------------------------------------|------------------------------------------------------|--|-----------------------------------|--------------------|-------------------------------------------------------------------------------------------------------------------------------|-------------------------------|------------------------|--|
| SEE SHEET 1 EC NO: SH2010-0164 2009/10/20 DRWN:XOZHANG 2009/10/21 CHKD:GLL 2009/10/21 APPR:XJ.SONG 2009/11/30 | QUALITY SYMBOLS $F_A=0$ $F_C=0$ $F_P=0$ | GENERAL TOLERANCES (UNLESS SPECIFIED) | | DIMENSION STYLE MM ONLY | | SCALE 1:1 | DESIGN UNITS METRIC | THIRD ANGLE PROJECTION | |
| | | | | DRAWN BY RZHANG | DATE 2004/07/20 | TITLE 1.0 HDMI RIGHT ANGLE HEADER ASSEMBLY(19 PIN) LEAD FREE | | | |
| | | | | CHECKED BY GRMA | DATE 2004/07/20 | APPROVED BY YTYAP | | | |
| | | | | MATERIAL NO. SEE TABLE | | DOCUMENT NO. SD-47151-001 | | | |
| | | DRAFT WHERE APPLICABLE MUST REMAIN WITHIN DIMENSIONS | | SIZE A3 | | THIS DRAWING CONTAINS INFORMATION THAT IS PROPRIETARY TO MOLEX INCORPORATED AND SHOULD NOT BE USED WITHOUT WRITTEN PERMISSION | | | |

| ASSEMBLY P/N | DIMENSION | | | | | FEATURE | | | | HOUSING COLOUR | GOLD PLATING IN CONTACT AREA | SHELL PLATING | REMARK | |
|--------------|----------------|----------------|----------------|-------|-------|---------|------------|-----------|----------------|----------------|------------------------------|----------------|-------------|----------------|
| | DIM A | DIM B | DIM C | DIM D | DIM E | FLANGE | BACK COVER | TOP HOLES | MYLAR | | | | | |
| 47151-1001 | 1.80 | 2.20 | / | / | / | W/O | WITH | WITH | W/O | BLACK | SEE NOTE 2 (1) | SEE NOTE 2 (a) | FOR SHEET 3 | |
| 47151-1041 | | | | | | | | | | | SEE NOTE 2 (2) | | | |
| 47151-1051 | | | | | | | | | | | SEE NOTE 2 (3) | | | |
| 47151-1003 | | | | | | | | | | | SEE NOTE 2 (4) | | | |
| 47151-1061 | | | | | | | | | SEE NOTE 2 (1) | | | | | |
| 47151-1071 | | | | | | | | | SEE NOTE 2 (2) | | | | | |
| 47151-1081 | | | | | | | | | SEE NOTE 2 (3) | | | | | |
| 47151-1011 | | | | | | | | | W/O | NATURE | SEE NOTE 2 (1) | | | |
| 47151-1211 | | | | | | | | | | | SEE NOTE 2 (2) | | | |
| 47151-1311 | | | | | | | | | | | SEE NOTE 2 (3) | | | |
| 47151-1021 | | | | | | | | | | | SEE NOTE 2 (1) | | | |
| 47151-1091 | | | | | | | | | BLACK | SEE NOTE 2 (1) | SEE NOTE 2 (3) | | | SEE NOTE 2 (b) |
| 47151-1031 | | | | | | | | | NATURE | SEE NOTE 2 (1) | | | | |
| 47151-1101 | | | | | | | | | 1.45 | 1.45 | / | | | / |
| 47151-1141 | SEE NOTE 2 (2) | | | | | | | | | | | | | |
| 47151-1151 | SEE NOTE 2 (3) | | | | | | | | | | | | | |
| 47151-1111 | SEE NOTE 2 (1) | | | | | | | | | | | | | |
| 47151-1161 | NATURE | SEE NOTE 2 (2) | | | | | | | | | | | | |
| 47151-1171 | SEE NOTE 2 (3) | | | | | | | | | | | | | |
| 47151-1121 | BLACK | SEE NOTE 2 (1) | SEE NOTE 2 (b) | | | | | | | | | | | |
| 47151-1131 | NATURE | SEE NOTE 2 (1) | | | | | | | | | | | | |
| 47151-7102 | 1.45 | 1.45 | M3.0x0.5 | 16.08 | 13.38 | WITH | WITH | W/O | W/O | BLACK | SEE NOTE 2 (1) | SEE NOTE 2 (a) | FOR SHEET 5 | |
| 47151-7142 | | | | | | | | | | | SEE NOTE 2 (2) | | | |
| 47151-7162 | | | | | | | | | | | SEE NOTE 2 (3) | | | |

| | | | | | | | | | |
|--------------------------------------------------------------------------------------------------------------------------|-----------------------------------------------------------------------|-------------------------------------------------------------------------------------------------------------------------------|--------------|-----------------------------------|--------------------|------------------------------------------------------------------------|-------------------------------|------------------------------|---------------------|
| SEE SHEET 1 EC NO: SH2010-0164 DRWN: XZHANG 2009/10/20 CHKD: GLLI 2009/10/21 APPR: XJISONG 2009/11/30 | QUALITY SYMBOLS $\nabla_A = 0$ $\nabla_B = 0$ $\nabla_C = 0$ | GENERAL TOLERANCES (UNLESS SPECIFIED) | | DIMENSION STYLE MM ONLY | | SCALE 1:1 | DESIGN UNITS METRIC | THIRD ANGLE PROJECTION | |
| | | 4 PLACES \pm --- \pm --- 3 PLACES \pm --- \pm --- 2 PLACES \pm 0.25 \pm --- 1 PLACE \pm 0.25 \pm --- | mm INCH | DRAWN BY RZHANG | DATE 2004/07/20 | TITLE 1.0 HDMI RIGHT ANGLE HEADER ASSEMBLY(19 PIN) LEAD FREE | | | |
| | | ANGULAR \pm 3 ° | | CHECKED BY GRMA | DATE 2004/07/20 | APPROVED BY YTYAP | | | |
| | | DRAFT WHERE APPLICABLE MUST REMAIN WITHIN DIMENSIONS | | MATERIAL NO. SEE TABLE | DATE 2004/07/20 | MOLEX INCORPORATED | | DOCUMENT NO. SD-47151-001 | SHEET NO. 7 OF 8 |

| ASSEMBLY P/N | DIMENSION | | | | | FEATURE | | | | HOUSING COLOUR | GOLD PLATING IN CONTACT AREA | SHELL PLATING | REMARK | | | | | | | | |
|--------------|-----------|-------|----------------------------------------------------|-------|-------|----------------------------------|------------|-----------|--------|----------------------------------------------------|----------------------------------------------------------------------|----------------|----------------|-------|----------------------------------------------------|----------------------------------------------------|----------------|------|------|------|-----|
| | DIM A | DIM B | DIM C | DIM D | DIM E | FLANGE | BACK COVER | TOP HOLES | MYLAR | | | | | | | | | | | | |
| 47151-1002 | 1.80 | 2.20 | M3.0x0.5 | 16.08 | 13.38 | WITH | WITH | WITH | W/O | BLACK | SEE NOTE 2 (1) SEE NOTE 2 (2) SEE NOTE 2 (3) SEE NOTE 2 (4) | SEE NOTE 2 (a) | FOR SHEET 4 | | | | | | | | |
| 47151-1042 | | | | | | | | | | | | | | | | | | | | | |
| 47151-1052 | | | | | | | | | | | | | | | | | | | | | |
| 47151-1062 | | | | | | | | | | | | | | | | | | | | | |
| 47151-2062 | | | | | | | | | | | | | | | | | | | | | |
| 47151-1012 | | | | | | | | | W/O | NATURE | SEE NOTE 2 (1) SEE NOTE 2 (2) SEE NOTE 2 (3) | | | | | | | | | | |
| 47151-1072 | | | | | | | | | | | | | | | | | | | | | |
| 47151-1082 | | | | | | | | | | | | | | | | | | | | | |
| 47151-1022 | | | | | | | | | | | | | | BLACK | SEE NOTE 2 (1) | | | | | | |
| 47151-1032 | | | | | | | | | | | | | | | | NATURE | SEE NOTE 2 (1) | | | | |
| 47151-1102 | 1.45 | 1.45 | M3.0x0.5 | 16.08 | 13.38 | WITH | WITH | WITH | W/O | BLACK | SEE NOTE 2 (1) SEE NOTE 2 (2) SEE NOTE 2 (3) | SEE NOTE 2 (a) | | | | | | | | | |
| 47151-1142 | | | | | | | | | | | | | | | | | | | | | |
| 47151-1152 | | | | | | | | | | | | | | | | | | | | | |
| 47151-1112 | | | | | | | | | | | | | | | | | | | | | |
| 47151-1162 | | | | | | | | | | | | | | | | | | | | | |
| 47151-1172 | | | | | | | | | NATURE | SEE NOTE 2 (1) SEE NOTE 2 (2) SEE NOTE 2 (3) | | | | | | | | | | | |
| 47151-1122 | | | | | | | | | | | | | | | | | | | | | |
| 47151-1132 | | | | | | | | | | | BLACK | | SEE NOTE 2 (1) | | | | | | | | |
| 47151-1005 | | | | | | | | | | | | | | W/O | BLACK | SEE NOTE 2 (1) SEE NOTE 2 (2) SEE NOTE 2 (3) | | | | | |
| 47151-1045 | | | | | | | | | | | | | | | | | | | | | |
| 47151-1065 | 1.80 | 2.20 | 4-40 | 16.08 | 13.38 | WITH | WITH | WITH | W/O | NATURE | SEE NOTE 2 (1) SEE NOTE 2 (2) SEE NOTE 2 (3) | SEE NOTE 2 (a) | | | | | | | | | |
| 47151-1015 | | | | | | | | | | | | | | | | | | | | | |
| 47151-1035 | | | | | | | | | | | | | | | | | | | | | |
| 47151-1055 | | | | | | | | | | | | | | | | | | | | | |
| 47151-1025 | | | | | | | | | | | | | WITH | BLACK | SEE NOTE 2 (1) SEE NOTE 2 (2) SEE NOTE 2 (3) | | | | | | |
| 47151-1075 | | | | | | | | | | | | | | | | | | | | | |
| 47151-1085 | | | | | | | | | | | | | | | | | | | | | |
| 47151-1026 | | | | | | | | | | | | | | | | | | | | | |
| 47151-6012 | | | | | | | | | 1.80 | 2.20 | M3.0x0.5 | | | | | 14.25 | 11.28 | WITH | WITH | WITH | W/O |
| 47151-6042 | | | | | | | | | | | | | | | | | | | | | |
| 47151-6052 | | | | | | | | | | | | | | | | | | | | | |
| 47151-6022 | | | | | | | | | | | | | | | | | | | | | |
| 47151-6032 | WITH | BLACK | SEE NOTE 2 (1) SEE NOTE 2 (2) SEE NOTE 2 (3) | | | | | | | | | | | | | | | | | | |
| 47151-6112 | | | | | | | | | | | | | | | | | | | | | |
| 47151-6142 | | | | W/O | BLACK | SEE NOTE 2 (1) SEE NOTE 2 (2) | | | | | | | | | | | | | | | |
| 47151-6152 | | | | | | | | | | | | | | | | | | | | | |

| | | | | | | | | | | | |
|------------------------------------------------------------------------------------|----------------------------------------|-----------------------------------------------------------------------------|---------------------------------------|--|-----------------------------------|----------------------|---------------------|------------------------------------------------------------------------|------------------------|--|--|
| SEE SHEET 1 EC NO: SH2010-0164 DRWN: XZHUANG CH'KD: GLLI APPR: XJISONG | 2009/10/20 2009/10/21 2009/11/30 | QUALITY SYMBOLS $F_{\Delta} = 0$ $F_{\Delta} = 0$ $F_{\Delta} = 0$ | GENERAL TOLERANCES (UNLESS SPECIFIED) | | DIMENSION STYLE MM ONLY | | SCALE 1:1 | DESIGN UNITS METRIC | THIRD ANGLE PROJECTION | | |
| | | | | | | DRAWN BY RZHANG | DATE 2004/07/20 | TITLE 1.0 HDMI RIGHT ANGLE HEADER ASSEMBLY(19 PIN) LEAD FREE | | | |
| | | | | | | CHECKED BY GRMA | DATE 2004/07/20 | | | | |
| | | | | | | APPROVED BY YTYAP | DATE 2004/07/20 | MOLEX INCORPORATED | | | |
| | | | MATERIAL NO. SEE TABLE | | DOCUMENT NO. SD-47151-001 | | SHEET NO. 8 OF 8 | | | | |