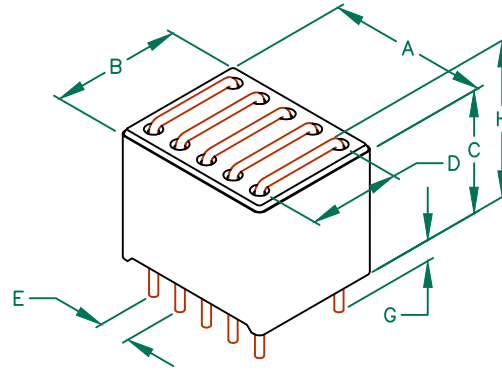


**UNCONTROLLED DOCUMENT**

# 29F0528-0T0-10

PHYSICAL DIMENSIONS:

A	13.42	[.528]	+ 0.20	[.008]
B	10.88	[.428]	+ 0.15	[.006]
C	10.57	[.416]	+ 0.20	[.008]
D	7.62	[.300]	+ 0.13	[.005]
E	2.54	[.100]	+ 0.05	[.002]
G	3.18	[.125]	+ 0.38	[.015]
H	11.43	[.450]	+ MAX	

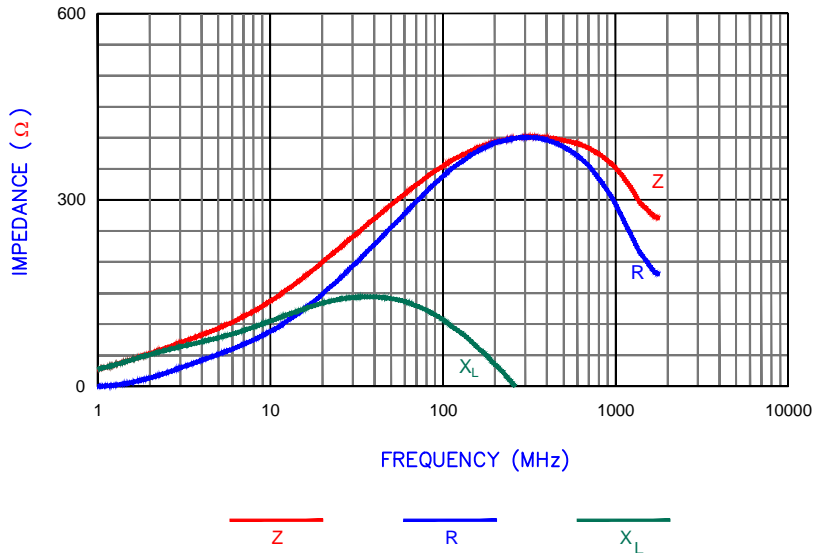


ELECTRICAL CHARACTERISTICS:			
Z @ 100MHz (Ω)	DCR (Ω)	Rated Current	
Nominal	342		
Minimum	257		
Maximum	427	0.01	10,000 mA

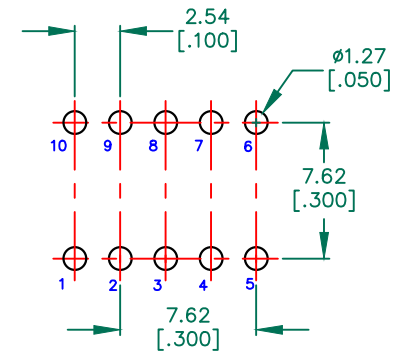
NOTES: UNLESS OTHERWISE SPECIFIED

1. BULK PACKED 825 PER CASE.
2. COMPONENTS SHOULD BE ADEQUATELY PREHEATED BEFORE SOLDERING.
3. TERMINATION FINISH IS 100% TIN.
4. OPERATION TEMPERATURE (INCLUDING SELF-HEATING): -40 ~ +125°C.

|Z| , R, AND X vs. FREQUENCY



HOLE PATTERN FOR THRU-HOLE INSERTION



**RoHS**

DIMENSIONS ARE IN mm [INCHES].				This print is the property of Laird Tech. and is loaned in confidence subject to return upon request and with the understanding that no copies shall be made without the written consent of Laird Tech. All rights to design or invention are reserved.		<b>Laird</b>	
D	ADD NOTE 4	08/30/12	QIU	PROJECT/PART NUMBER:	REV	PART TYPE:	DRAWN BY:
C	UPDATE COMPANY LOGO	10/22/08	JRK	29F0528-0T0-10	D	ASSEMBLY	JRK
B	ADD ROHS SYMB. UPDATE COMP. LOGO	05/03/07	JRK	DATE: 05/17/04	SCALE:	NTS	SHEET:
A	ORIGINAL DRAFT	05/17/04	JRK	CAD #	TOOL #		1 of 2
REV	DESCRIPTION	DATE	INT	29F0528-0T0-10-D-1	H0528		