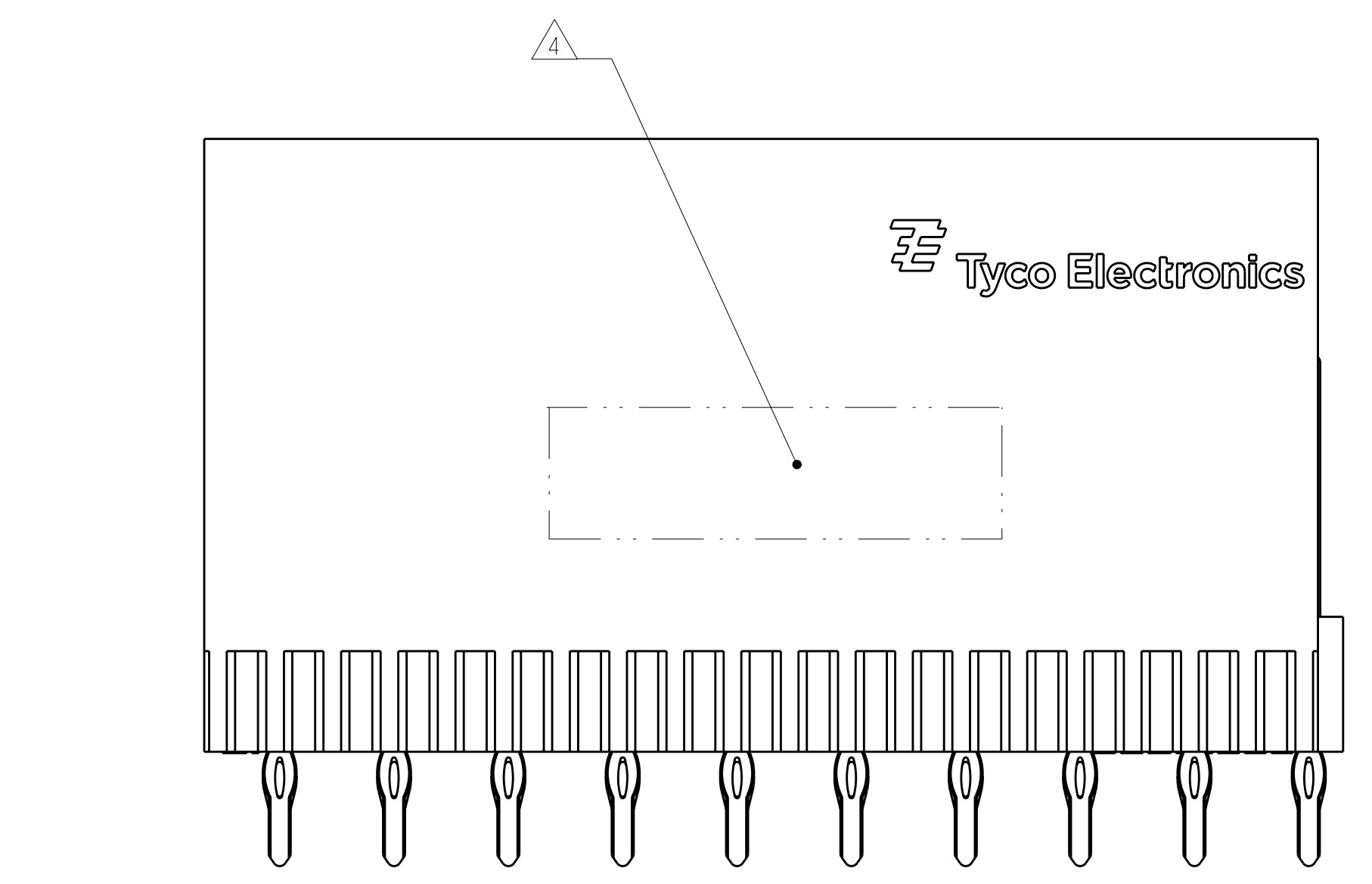
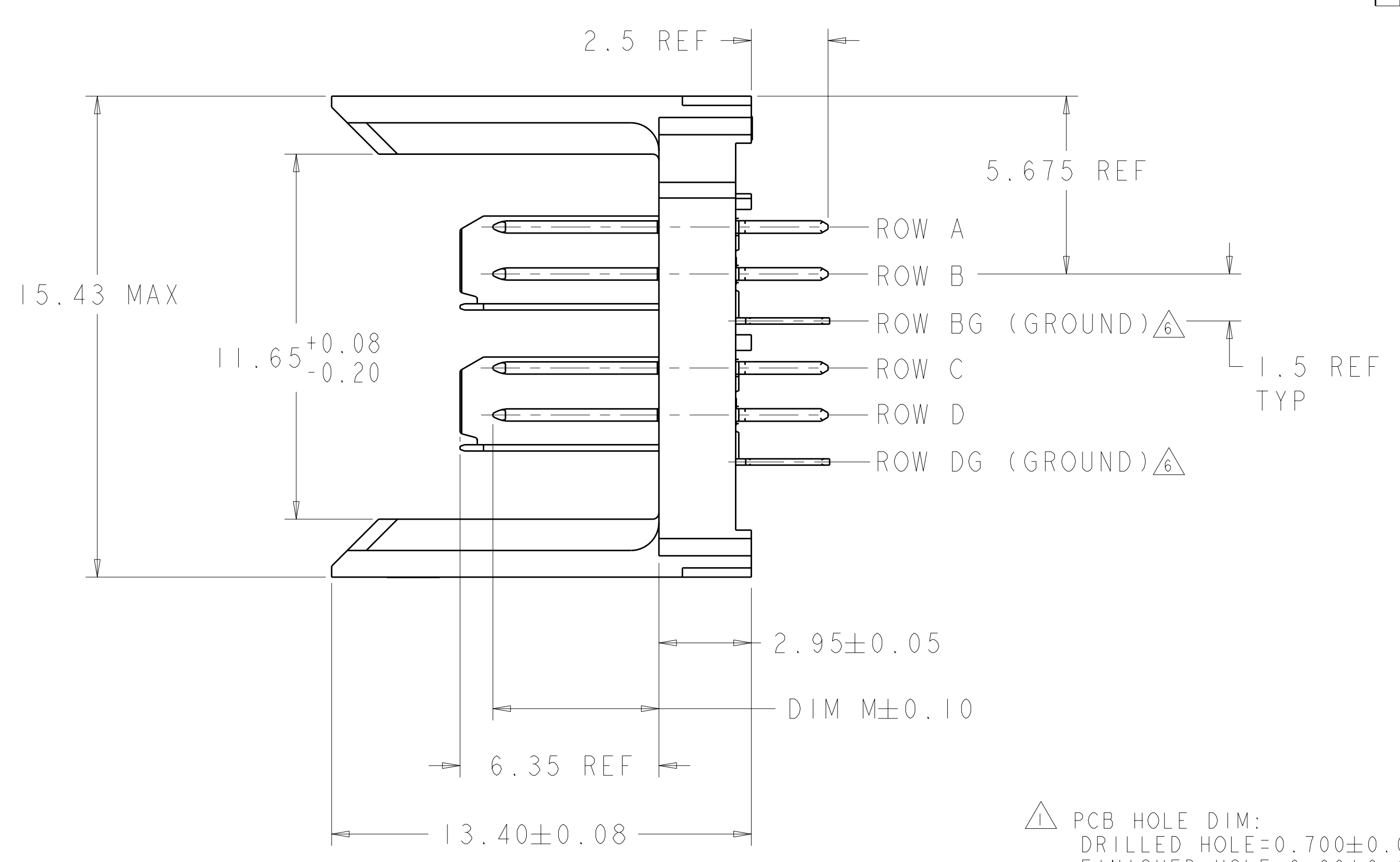
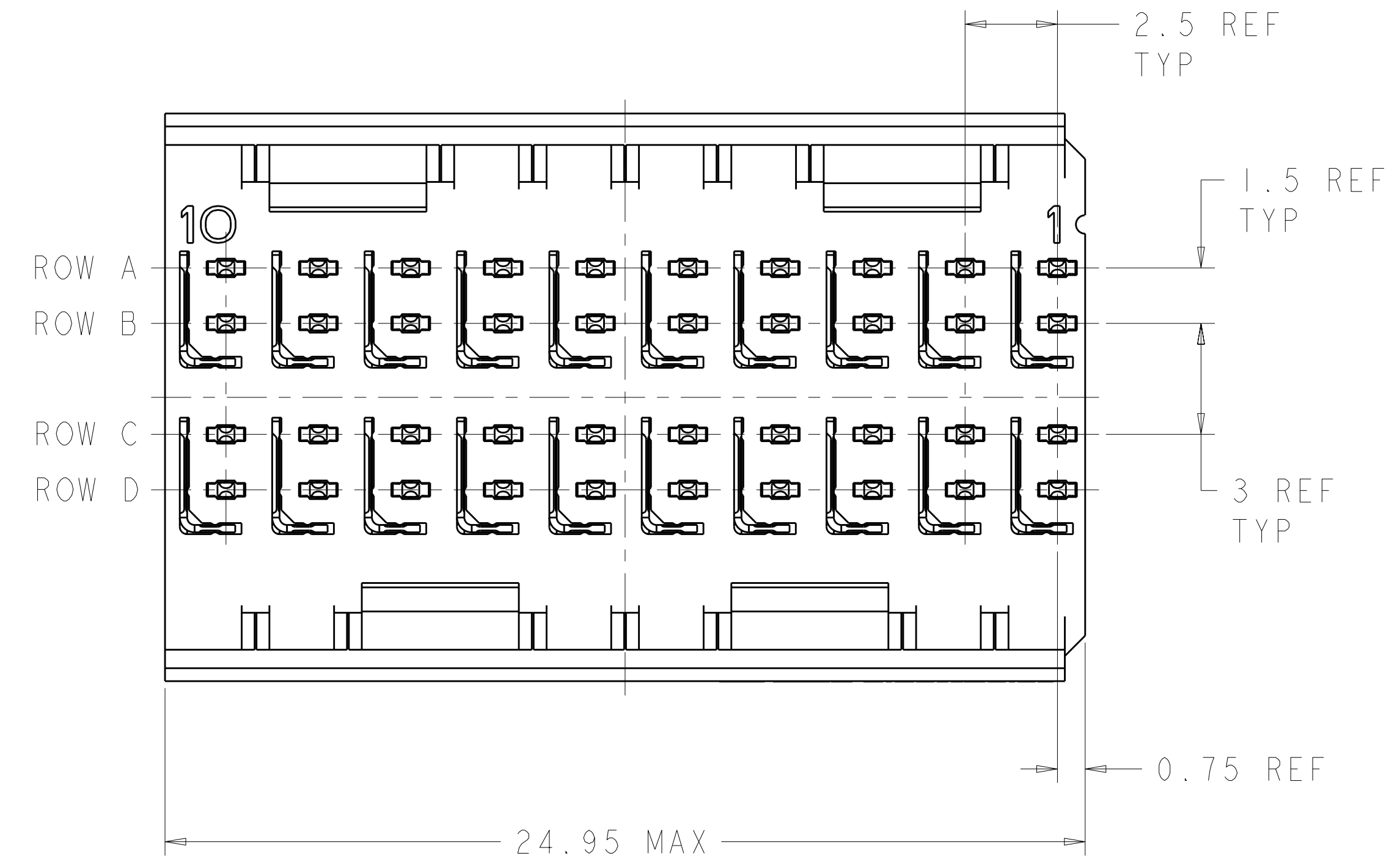
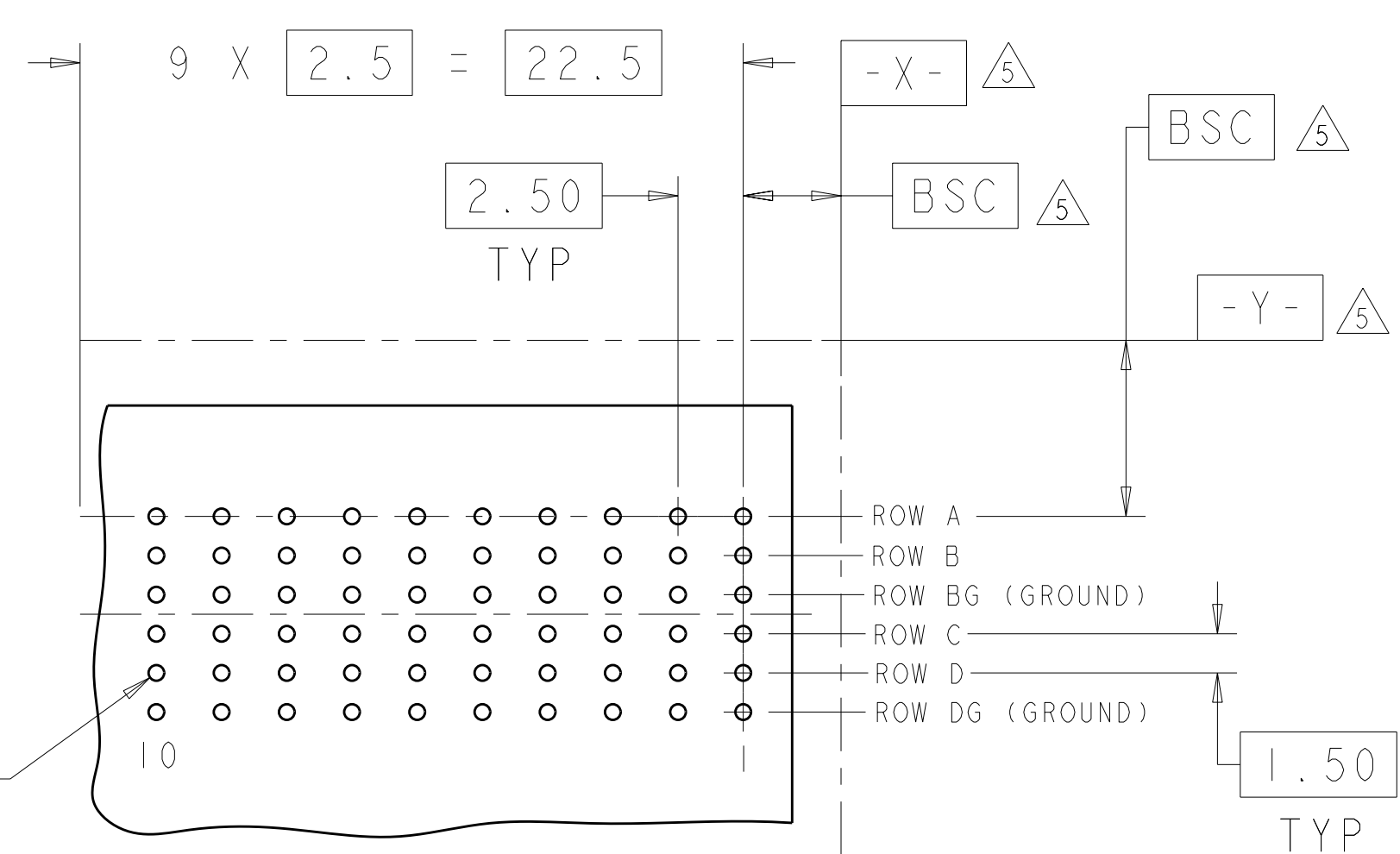


LOC		DIST		REVISIONS			
AD	00	REV	DATE	BY	CHK	APP	DATE
		A	06FEB2012	KH	DY		



Tyco Electronics



⊕ ⌀0.05 Ⓢ X Y
 ALL PLATED THRU HOLES

RECOMMENDED PC BOARD LAYOUT, BACKPLANE, COMPONENT SIDE SHOWN
 SCALE 4:1

- △ PCB HOLE DIM:
 DRILLED HOLE=0.700±0.025mm
 FINISHED HOLE=0.60±0.05mm
 Cu-THICKNESS=0.0375±0.0125mm
 SnPb THICKNESS=0.007±0.003mm
- △ MATERIAL:
 CONTACT AND SHIELD - PHOSPHOR BRONZE
 HOUSING - GLASS FILLED POLYESTER
- △ FINISH: CONTACT AND SHIELD
 MATING AREA - 0.76µm MIN GOLD OVER 1.27µm MIN NICKEL
 COMPLIANT PIN AREA - 0.5µm MIN BRIGHT TIN
 OVER 1.27µm MIN NICKEL
- △ CONNECTOR MARKED WITH PART NUMBER AND DATE CODE
- △ DATUMS AND BASIC DIMENSIONS ESTABLISHED BY CUSTOMER
- △ THE TWO GROUNDS IN EACH COLUMN ARE COMMONED
- 7. CONTACT AREA LUBRICATED WITH BELLCORE APPROVED LUBRICANT. TECHNICAL REFERENCE: GR-1217-CORE, ISSUE 1, NOVEMBER 1995

THIS PRODUCT HAS NOT COMPLETED VALIDATION TESTING

5.30	1469323-1
DIM M	PART NUMBER

THIS DRAWING IS A CONTROLLED DOCUMENT.		DWN DK_SCHURM 23JUN2003		STE TE Connectivity	
DIMENSIONS: mm		CHK RA_PATTERSON 23JUN2003			
TOLERANCES UNLESS OTHERWISE SPECIFIED:		APVD		NAME	
9 PLC ±		PRODUCT SPEC		HEADER ASSEMBLY, 2 PAIR, 2.5mm TAIL, 25mm, HMZd	
3 PLC ±		APPLICATION SPEC		SIZE CAGE CODE DRAWING NO	
5 PLC ±		WEIGHT		A100779C=1469323	
4 PLC ±		CUSTOMER DRAWING		RESTRICTED TO	
ANGLES ±		SCALE 8:1		SHEET 1 OF 1	
FINISH		REV A			